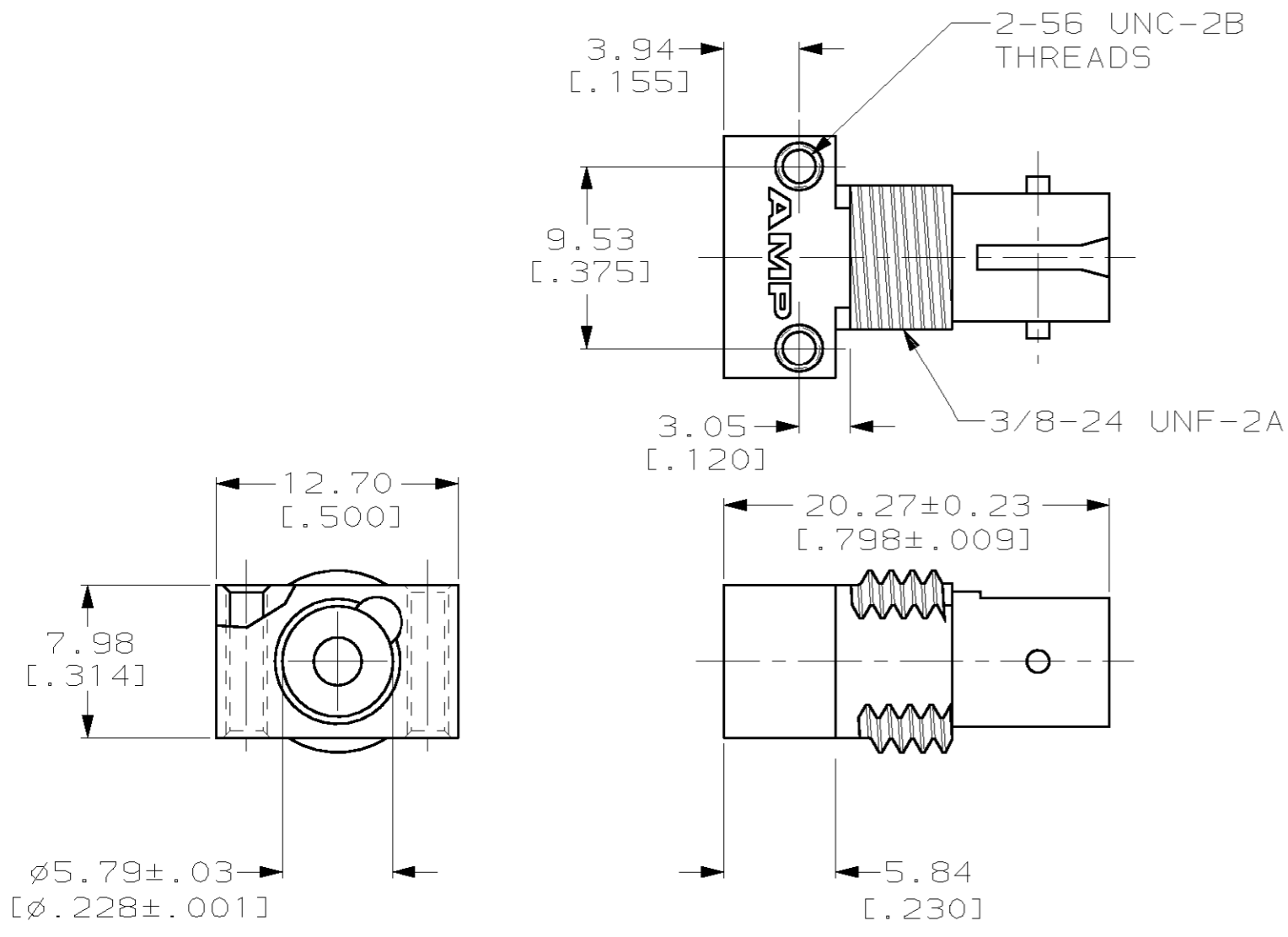
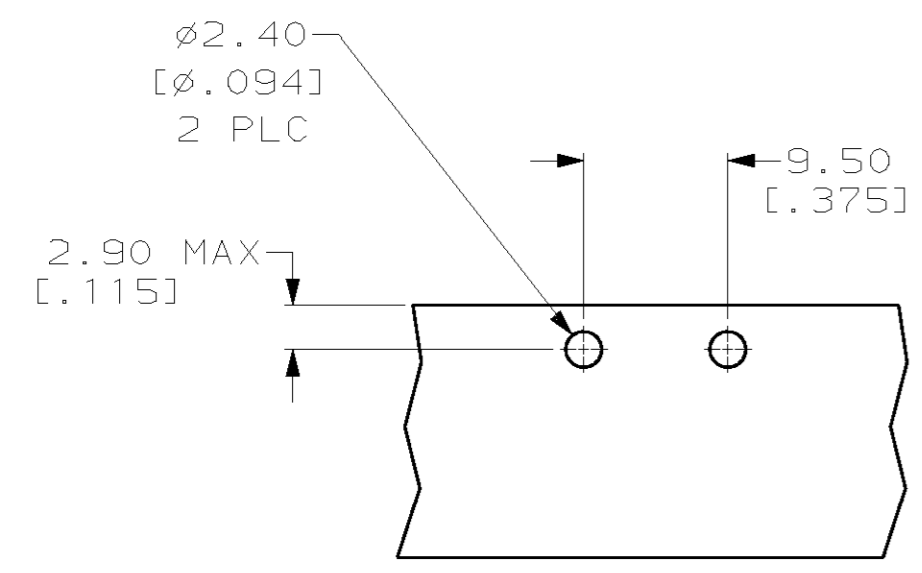
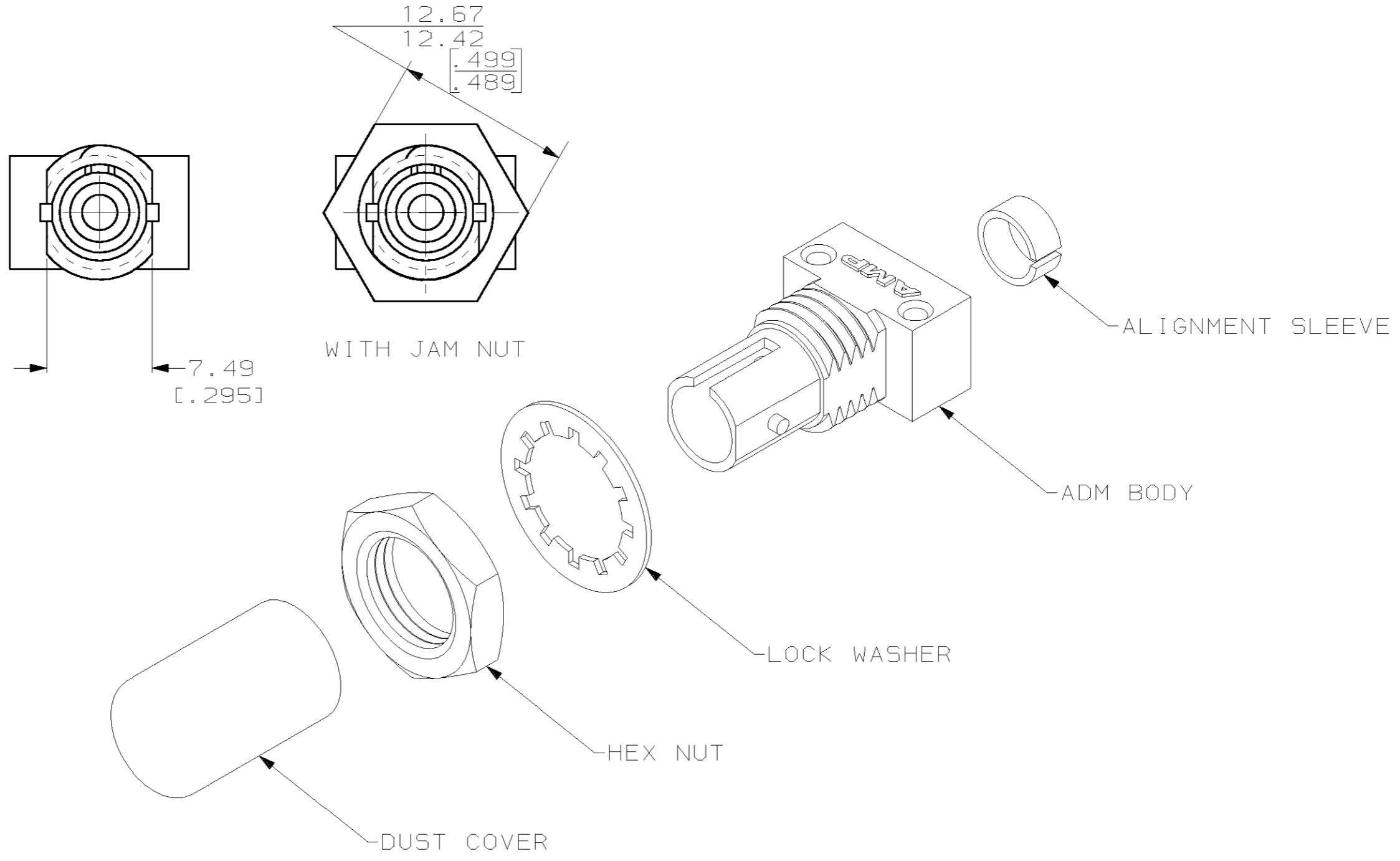


THIS DRAWING IS UNPUBLISHED. RELEASED FOR PUBLICATION .19
 © COPYRIGHT 19 BY AMP INCORPORATED. ALL RIGHTS RESERVED.

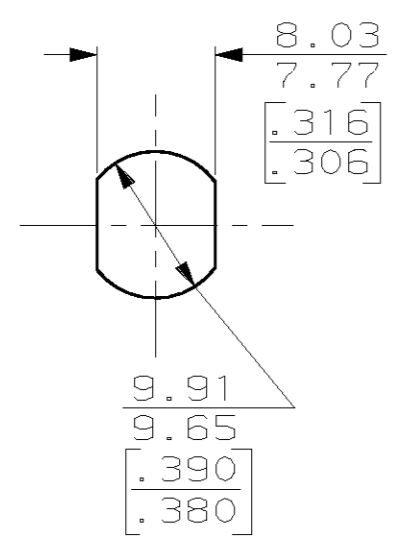
LOC	DIST	REVISIONS			
P	LTR	DESCRIPTION	DATE	DWN	APVD
CE	16	G	REDRAWN AND REV PER EC 0A00-0895-99	30NOV99	TG L5



- 1 BULK PACKAGED IN QUANTITIES OF 50 PC.
- 2. DIMENSIONS IN [] ARE IN INCHES.
- 3 KIT COMES WITH NO NUT,NO WASHER.



PC BOARD MOUNTING HOLE PATTERN



SUGGESTED PANEL CUTOUT

3	504022-5
OBSOLETE	504022-4
1	504022-3
	504022-2
OBSOLETE	504022-1
	PART NO

THIS DRAWING IS A CONTROLLED DOCUMENT.		DWN	E. HALEY	9/24/92	AMP Incorporated Harrisburg, PA 17105-3608							
DIMENSIONS: mm [INCHES]		CHK	P. YEAGER	9/29/92								
TOLERANCES UNLESS OTHERWISE SPECIFIED:		APVD	D. FISHER	9/29/92								
0 PLC ±- 1 PLC ±- 2 PLC ±.13 [.005] 3 PLC ±- 4 PLC ±- ANGLES ±- FINISH -		PRODUCT SPEC	KIT, ADM, STC									
MATERIAL	-	APPLICATION SPEC	-		SIZE	A2	CAGE CODE	00779	DRAWING NO	C-504022	RESTRICTED TO	-
CUSTOMER DRAWING			SCALE	NTS	SHEET	1	OF	1	REV	G		