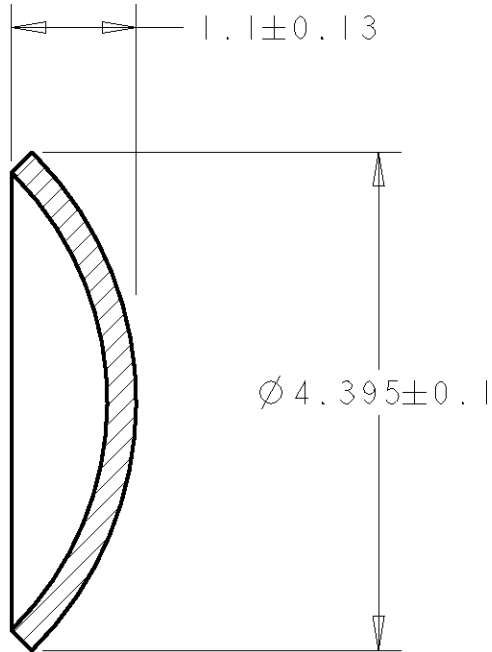



LOC	DIST	REVISIONS					
AJ	16	P	LTR	DESCRIPTION	DATE	DWN	APVD
		0		RELEASED	25SEP97	AG	RH



THIS DRAWING IS UNPUBLISHED. RELEASED FOR PUBLICATION 19 .

ALL RIGHTS RESERVED. BY AMP INCORPORATED. COPYRIGHT 19

148403-2  
PART NUMBER

DIMENSIONS: mm	DWN	AJ GRAFF 25SEP97	MATERIAL	BRASS PER ASTM-B-19	FINISH	TIN PLT PER ASTM-B-545	
	CHK	RC HOSLER 25SEP97	 AMP Incorporated Harrisburg, PA 17105-3608				
TOLERANCES UNLESS OTHERWISE SPECIFIED:	APVD	RA PATTERSON 25SEP97					
0 PLC ±-	PRODUCT SPEC	-	NAME				END CAP
1 PLC ±-	APPLICATION SPEC	-	SIZE	CAGE CODE	DRAWING NO		
2 PLC ±-	WEIGHT	-	A4	00779	C-148403		
3 PLC ±-	CUSTOMER DRAWING		SCALE		15:	SHEET 1 OF 1 REV 0	
4 PLC ±-							
ANGLES ±-							

