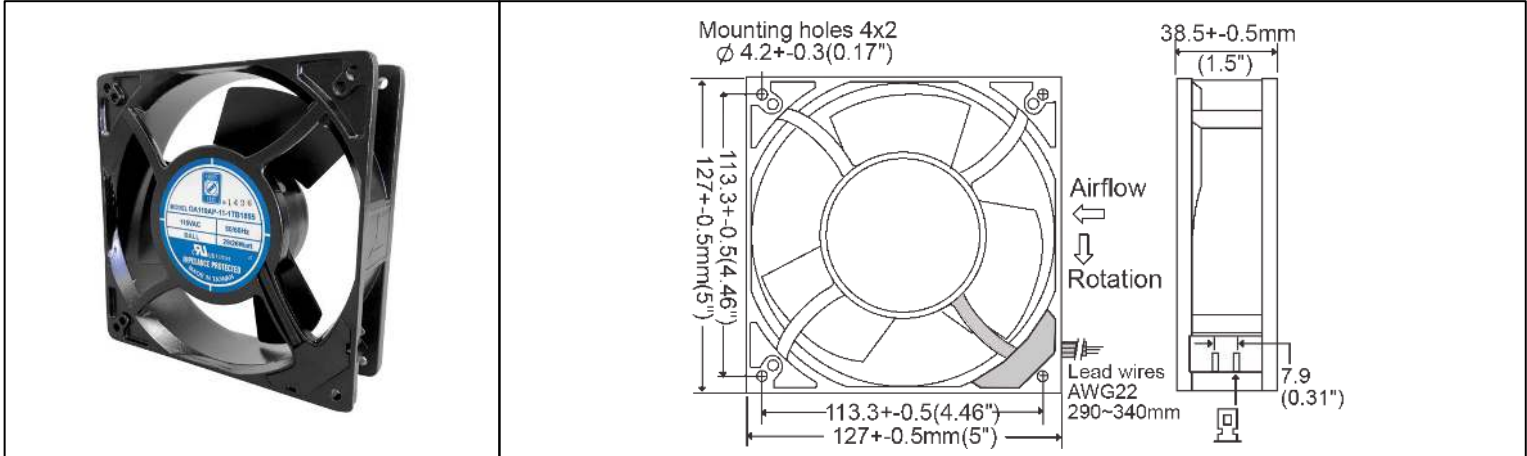


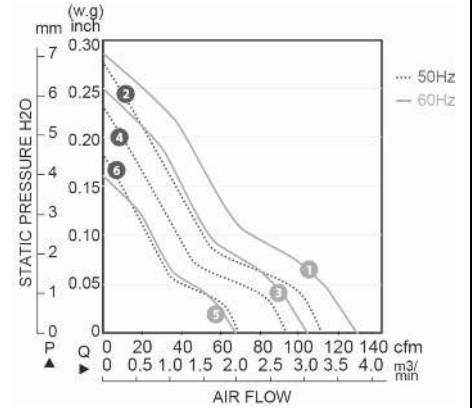
OA119AP All Metal Series



AC Fans - 115, 230V
127mm x 38mm (5.0" x 1.5")



Frame	Die Cast Aluminum, Black Finish	Operating Temperature -30°C ~ +80°C
Impeller	Steel Alloy, Black Finish	
Power Connection	2x Lead Wires, 22 AWG 300mm, or Terminals	Storage Temperature -40°C ~ +100°C
Motor	AC Shaded Pole, Impedance Protected, IP55 Rated	Life Expectancy 50,000 Hours (L10 at 55°C)
Bearing System	Ball Bearings	Installed Options IP55 Rated Motor
Dielectric Strength	1500VAC/min, <1mA	Available Options Salt Fog Ratings Other Voltages
Insulation Resistance	≥10MΩ @ 500V DC	Weight: 1.4 lbs.



Part Number	Rated Voltage (Volts AC)	Voltage Range (Volts AC)	Frequency (Hertz)	Rated Power (Watts)	Rated Speed (RPM)	Max Airflow (CFM)	Noise Level (dBA)	Max Static Pressure ("H ₂ O)
OA119AP-11-1*B1855	115	100 ~ 125	50 / 60	29 / 26	2600 / 2950	110 / 128	48	0.27 / 0.29
OA119AP-11-2*B1855	115	100 ~ 125	50 / 60	23 / 20	2300 / 2400	95 / 105	42	0.23 / 0.25
OA119AP-11-3*B1855	115	100 ~ 125	50 / 60	18 / 15	1600 / 1500	68 / 65	28	0.18 / 0.16
OA119AP-22-1*B1855	230	200 ~ 250	50 / 60	29 / 26	2600 / 2950	110 / 128	48	0.27 / 0.29
OA119AP-22-2*B1855	230	200 ~ 250	50 / 60	23 / 20	2300 / 2400	95 / 105	42	0.23 / 0.25
OA119AP-22-3*B1855	230	200 ~ 250	50 / 60	18 / 15	1600 / 1500	68 / 65	28	0.18 / 0.16

* Substitute "T" for Terminal connection type, or "W" for Wire Lead connection type.