

**EM2201 Series
EuroMag Terminal Blocks**

Header with Flanges (Mates with EM2413 Series); 3.50 Centers

SPECIFICATIONS

Rating: 10A, 300V

Center Spacing: 0.138" (3.50mm)

Housing Material: Green Polyamide Type 6/6, 94V0

Contact Material: Brass Tin-Plated

Operating Temperature: 105°C (221°F) max., -40°C (-40°F) min.

Recommended PCB Hole Diameters: 0.055" (1.40mm)

Construction: Mold to Length

Agency Information: File E62622; CE Certified

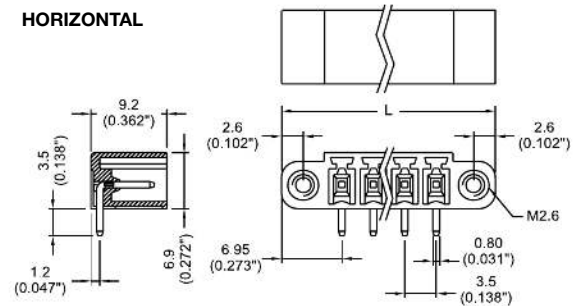


Poles	L (mm)
2	17.4
3	20.9
4	24.4
5	27.9
6	31.4
7	34.9
8	38.4
9	41.3
10	45.4
11	48.9
12	52.4

To convert to inches, divide by 25.4

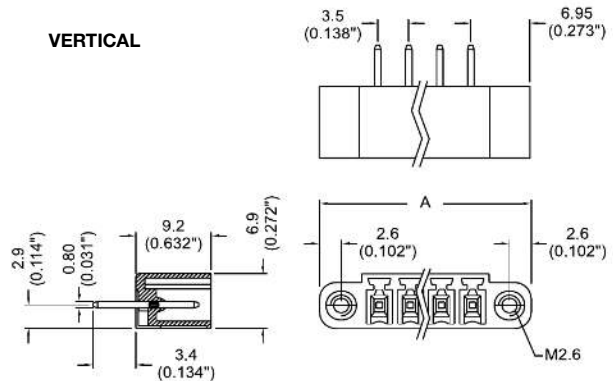
Dimensions - mm (in)

HORIZONTAL



PCB Hole Layout

VERTICAL



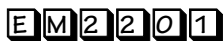
PCB Hole Layout

Part Numbering System

Series

of Poles

Orientation



02 to 12

H - horizontal
V - vertical

Mating Plug: EM2413 pg. 76

Terminal Blocks:
Single Row

EuroMag Series
Plug & Header

Edge Connectors,
One-Sided Boards

Compliance
References