
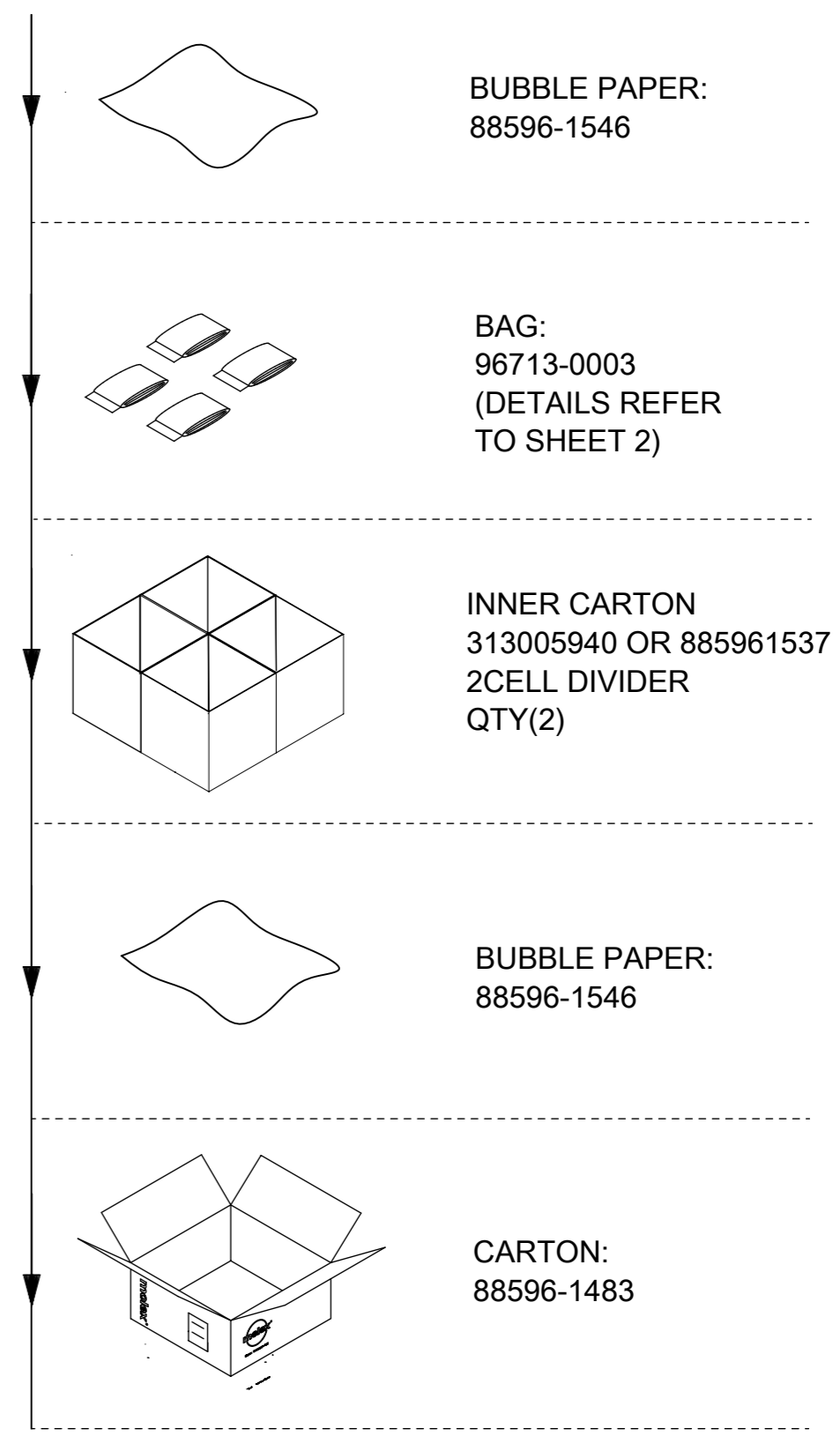

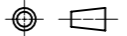
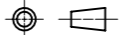


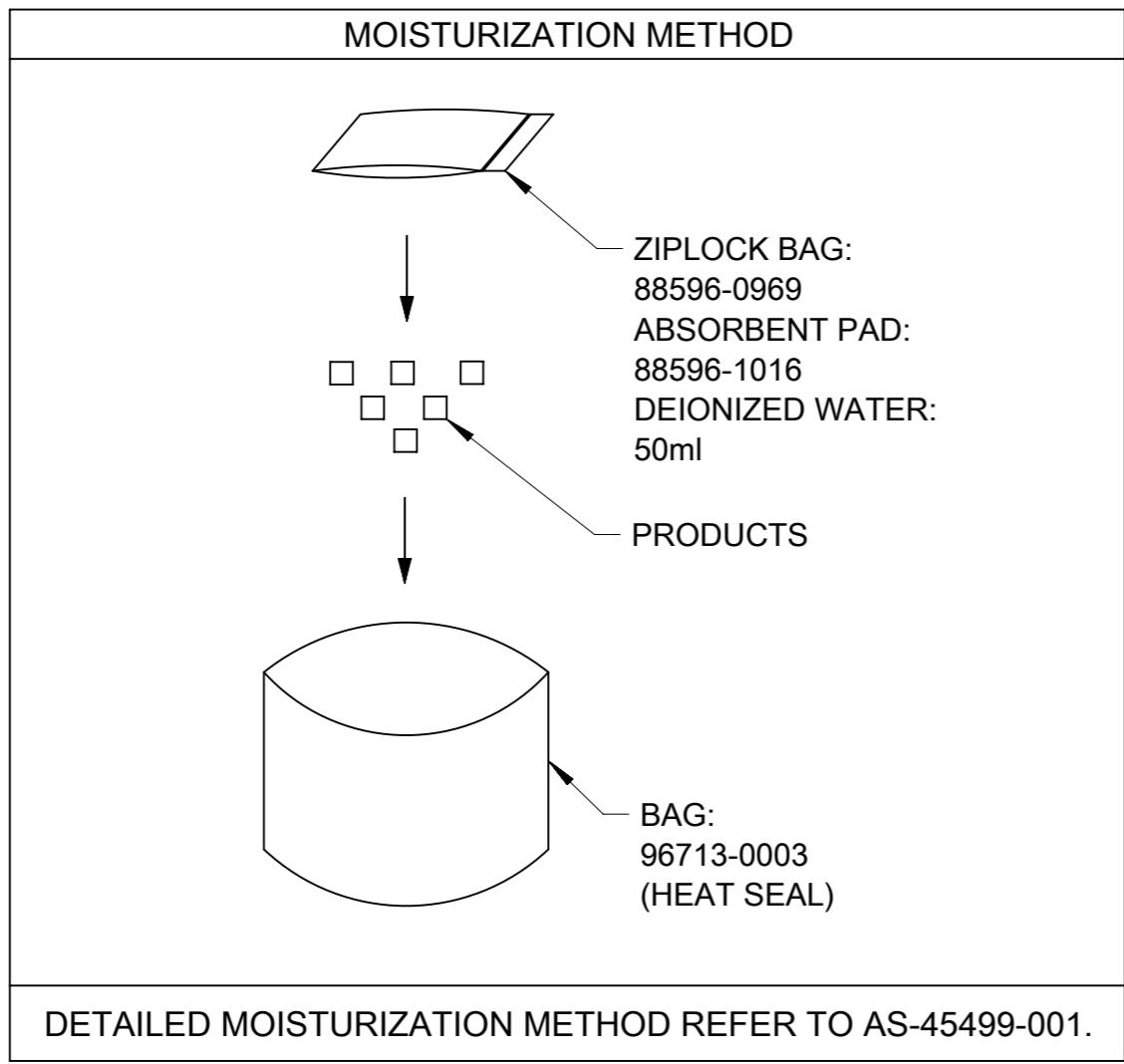
PART NUMBER	CKTS	QUANTITY PER BAG	BAGS PER CARTON	PARTS PER CARTON (SPQ)	MOISTURIZATION METHOD 	PANEL LOCK
215922-0201	2	3000	4	12000	NO MOISTURIZATION	WITHOUT
215922-0401	4	2600	4	10400		
215922-0601	6	2000	4	8000		
215922-0801	8	1700	4	6800		
215922-1001	10	1400	4	5600		
215922-1201	12	1000	4	4000		
215922-1401	14	800	4	3200		
215922-1601	16	800	4	3200		
215922-1801	18	600	4	2400		
215922-2001	20	600	4	2400		
215922-2201	22	600	4	2400		
215922-2401	24	450	4	1800		
215922-0200	2	2000	4	8000	SEE SHEET 2	WITH
215922-0400	4	1800	4	7200		
215922-0600	6	1600	4	6400		
215922-0800	8	1100	4	4400		
215922-1000	10	1000	4	4000		
215922-1200	12	900	4	3600		
215922-1400	14	800	4	3200		
215922-1600	16	700	4	2800		
215922-1800	18	600	4	2400		
215922-2000	20	600	4	2400		
215922-2200	22	400	4	1600		
215922-2400	24	350	4	1400		



TBD: NO PRODUCTION, TO BE ADDED AFTER BEING PRODUCED.

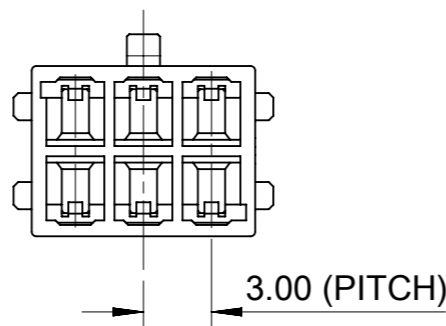
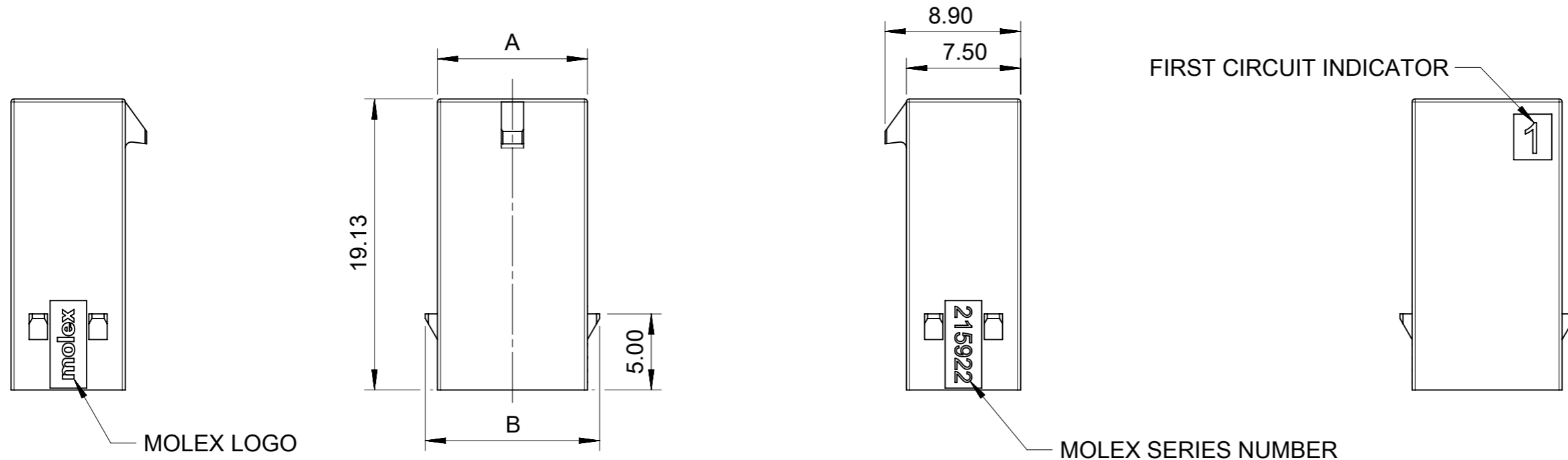
- NOTES:
-  MOISTURIZATION METHOD DESCRIPTIONS REFER TO SHEET 2.
 - STANDARD PACKAGE QUANTITY (SPQ) SEE ABOVE CHART.
 - PACKAGE WAY FOLLOW RIGHT ILLUSTRATION.
 - ALL PACKAGE MATERIAL AND PRODUCT COMPLIANT TO RoHS DIRECTIVE 2011/65/EU AND ELV DIRECTIVE 2000/53/EC.

FUNCTIONAL SYMBOLS	THIS DRAWING CONTAINS INFORMATION THAT IS PROPRIETARY TO MOLEX ELECTRONIC TECHNOLOGIES, LLC AND SHOULD NOT BE USED WITHOUT WRITTEN PERMISSION		 PACKING SPEC FOR MICRO-FIT PLUS WTW HSG				
	DIMENSION UNITS: mm SCALE: 1:1	CURRENT REV DESC:				DOC TYPE	DOC PART
DIVISIONAL SYMBOLS	GENERAL TOLERANCES (UNLESS SPECIFIED)		EC NO: 725570				
	ANGULAR TOL ± °		DRWN: GLLI 2022/08/29				
	4 PLACES ±	3 PLACES ± 0.1		2022/10/31			
	2 PLACES ± 0.3	APPR: XQZHANG		2022/10/31			
	1 PLACE ± 0.5	INITIAL REVISION:		DOCUMENT NUMBER			
0 PLACES ±	DRWN: GLLI 2021/10/28		2159220000-PK				
DRAFT WHERE APPLICABLE MUST REMAIN WITHIN DIMENSIONS		THIRD ANGLE PROJECTION	DRAWING	SERIES	MATERIAL NUMBER	CUSTOMER	SHEET NUMBER
			A3-SIZE	215922			1 OF 2



FUNCTIONAL SYMBOLS	THIS DRAWING CONTAINS INFORMATION THAT IS PROPRIETARY TO MOLEX ELECTRONIC TECHNOLOGIES, LLC AND SHOULD NOT BE USED WITHOUT WRITTEN PERMISSION		molex					
	$\nabla_A = 0$ $\nabla_F = 0$ $\nabla_P = 0$	DIMENSION UNITS mm				SCALE 1:1	PACKING SPEC FOR MICRO-FIT PLUS WTW HSG	
DIVISIONAL SYMBOLS	GENERAL TOLERANCES (UNLESS SPECIFIED)		EC NO: 725570 DRWN: GLLI 2022/08/29 CHK'D: XQZHANG 2022/10/31 APPR: XQZHANG 2022/10/31 INITIAL REVISION: DRWN: GLLI 2021/10/28 APPR: XQZHANG 2021/11/15			PRODUCT CUSTOMER DRAWING		
	ANGULAR TOL ± °					DOCUMENT NUMBER		
	4 PLACES ±	°				2159220000-PK		
	3 PLACES ± 0.1					DOC TYPE		
	2 PLACES ± 0.3					PSD		
1 PLACE ± 0.5		DOC PART						
0 PLACES ±		000						
DRAFT WHERE APPLICABLE MUST REMAIN WITHIN DIMENSIONS		THIRD ANGLE PROJECTION	DRAWING	SERIES	MATERIAL NUMBER	CUSTOMER	SHEET NUMBER	
			A3-SIZE	215922			2 OF 2	

FREE HANGING PLUG PARTS

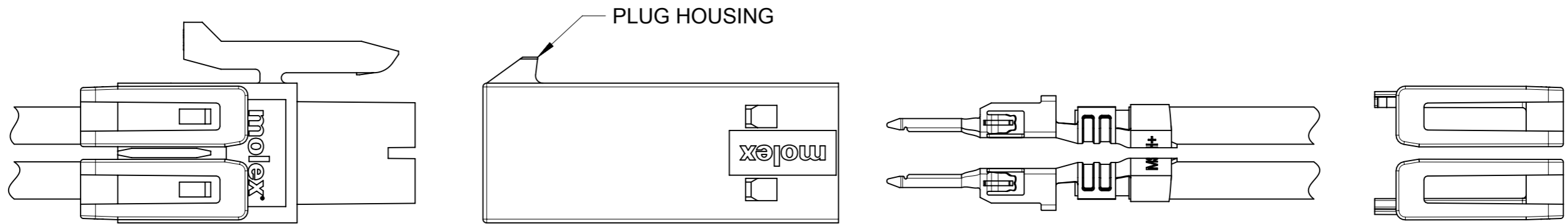
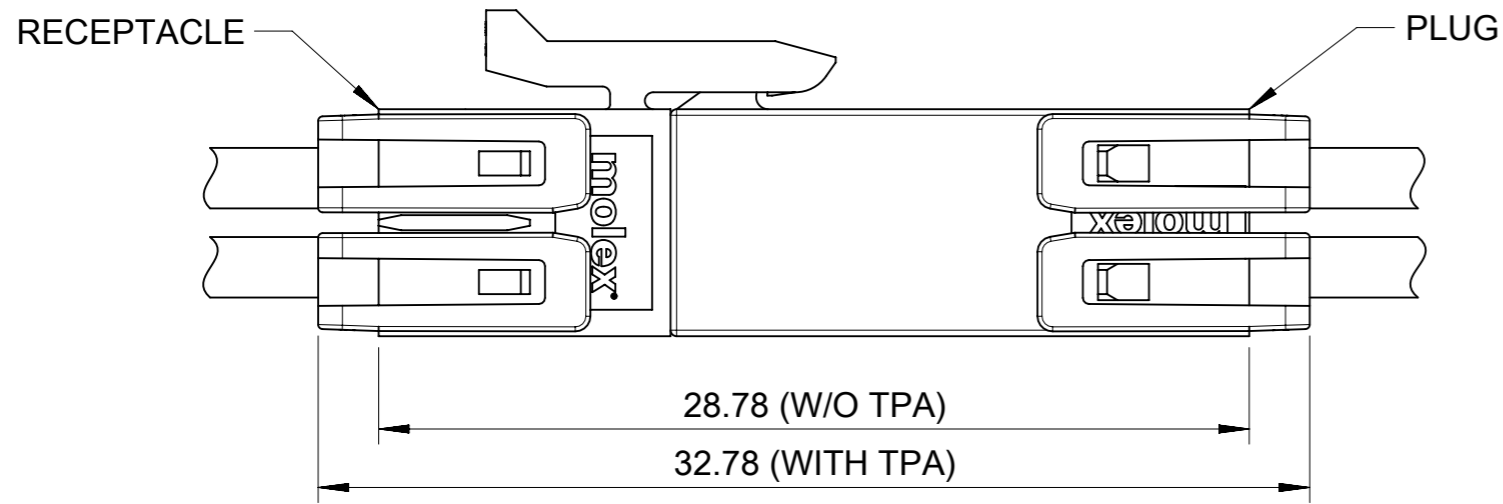


PART No	DIM'A'	DIM'B'	CKT SIZE
215922-0201	3.85	5.45	2
215922-0401	6.85	8.45	4
215922-0601	9.85	11.45	6
215922-0801	12.85	14.45	8
215922-1001	15.85	17.45	10
215922-1201	18.85	20.45	12
215922-1401	21.85	23.45	14
215922-1601	24.85	26.45	16
215922-1801	27.85	29.45	18
215922-2001	30.85	32.45	20
215922-2201	33.85	35.45	22
215922-2401	36.85	38.45	24

- NOTES:
1. MATERIAL: PA66, 94V-0, BLACK.
 2. PRODUCT SPECIFICATION: 2159530000-PS.
 3. PACKAGE SPECIFICATION: 2159220000-PK.
 4. TO USE WITH TERMINAL OF 2015953-****.
 5. TO USE WITH TPA OF 206462-****.
 6. TO MATE WITH RECEPTACLE OF 206461-****.
 7. PARTS CONFORM TO CLASS 'B' REQUIREMENTS OF COSMETIC SPECIFICATION PS-45499-002.

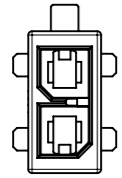
FUNCTIONAL SYMBOLS	THIS DRAWING CONTAINS INFORMATION THAT IS PROPRIETARY TO MOLEX ELECTRONIC TECHNOLOGIES, LLC AND SHOULD NOT BE USED WITHOUT WRITTEN PERMISSION		CURRENT REV DESC:							
	DIMENSION UNITS	SCALE							PLUG HOUSING OF MICRO-FIT PLUS WTW DR POWER CONNECTOR	
DIVISIONAL SYMBOLS	$\nabla_A = 0$	mm	1:1	EC NO: 712744		PRODUCT CUSTOMER DRAWING				
	$\nabla_E = 0$	GENERAL TOLERANCES (UNLESS SPECIFIED)		DRWN: GLLI 2022/07/01		DOCUMENT NUMBER				
	$\nabla_{E'} = 0$	ANGULAR TOL \pm °		CHK'D: XQZHANG 2022/07/05		2159220000-SD		DOC TYPE	DOC PART	REVISION
		4 PLACES	\pm		APPR: XQZHANG 2022/07/05		PSD	000	A1	
	3 PLACES	\pm		INITIAL REVISION:		MATERIAL NUMBER				
	2 PLACES	\pm 0.2		DRWN: GLLI 2021/01/29		CUSTOMER				
	1 PLACE	\pm 0.3		APPR: XQZHANG 2021/11/15		GENERAL MARKET				
	0 PLACES	\pm		DRAFT WHERE APPLICABLE MUST REMAIN WITHIN DIMENSIONS		SERIES		SHEET NUMBER		
				THIRD ANGLE PROJECTION	DRAWING	215922		1 OF 6		

FREE HANGING PLUG PARTS

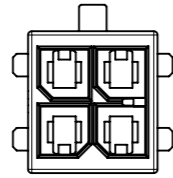


FUNCTIONAL SYMBOLS	THIS DRAWING CONTAINS INFORMATION THAT IS PROPRIETARY TO MOLEX ELECTRONIC TECHNOLOGIES, LLC AND SHOULD NOT BE USED WITHOUT WRITTEN PERMISSION		CURRENT REV DESC:		molex						
	△/A = 0	mm							SCALE 1:1	PLUG HOUSING OF MICRO-FIT PLUS WTW DR POWER CONNECTOR	
DIVISIONAL SYMBOLS	GENERAL TOLERANCES (UNLESS SPECIFIED)				EC NO: 712744						
	ANGULAR TOL ± °				DRWN: GLLI 2022/07/01						
	4 PLACES ±				CHK'D: XQZHANG 2022/07/05						
	3 PLACES ±				APPR: XQZHANG 2022/07/05						
	2 PLACES ± 0.2				INITIAL REVISION:						
1 PLACE ± 0.3				DRWN: GLLI 2021/01/29							
0 PLACES ±				APPR: XQZHANG 2021/11/15							
DRAFT WHERE APPLICABLE MUST REMAIN WITHIN DIMENSIONS		THIRD ANGLE PROJECTION		DRAWING	SERIES	MATERIAL NUMBER	CUSTOMER	DOCUMENT NUMBER	DOC TYPE	DOC PART	REVISION
				A3-SIZE	215922	2159220000-SD	GENERAL MARKET	2159220000-SD	PSD	000	A1

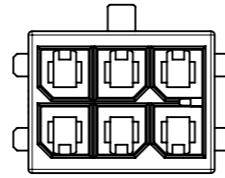
FREE HANGING PLUG PARTS



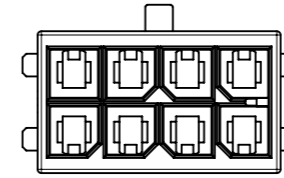
2 CKT



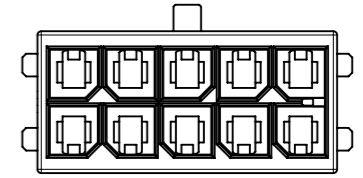
4 CKT



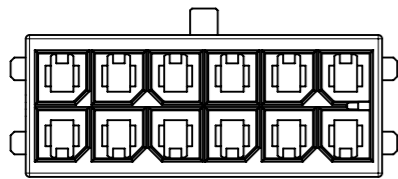
6 CKT



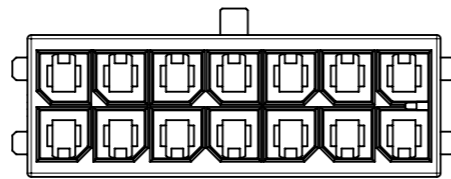
8 CKT



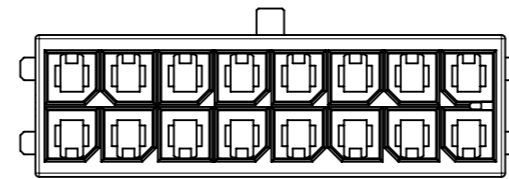
10 CKT



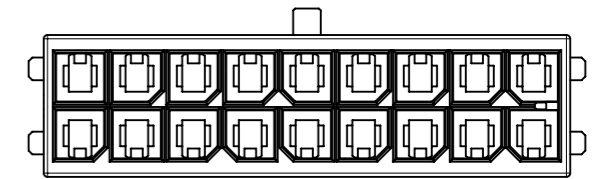
12 CKT



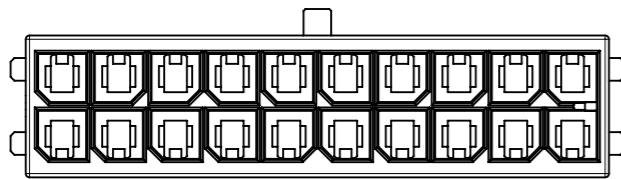
14 CKT



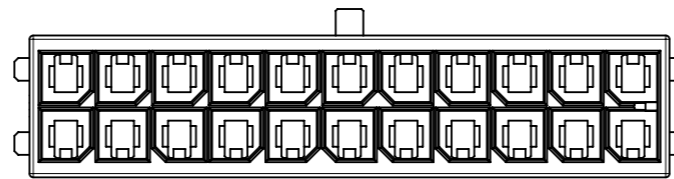
16 CKT



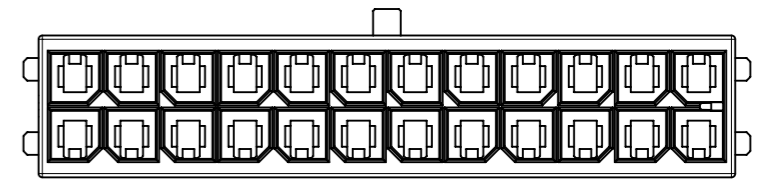
18 CKT



20 CKT



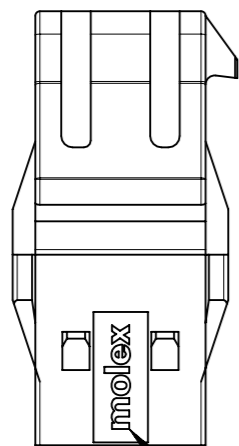
22 CKT



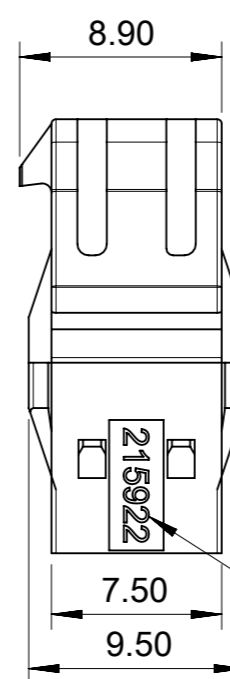
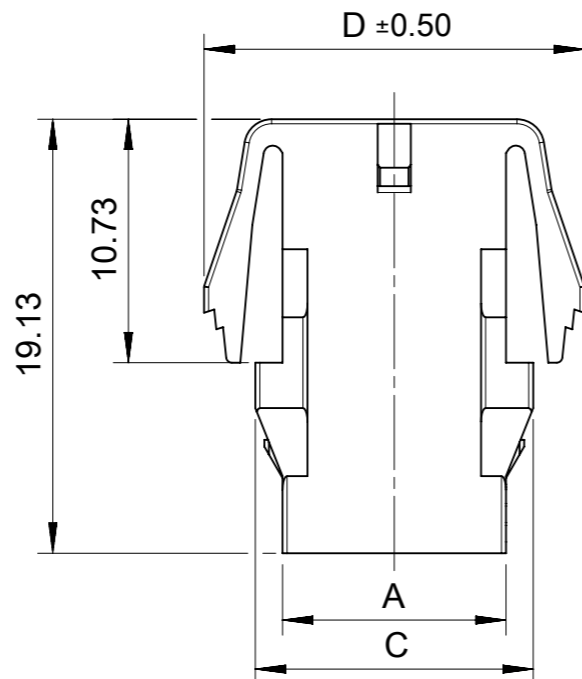
24 CKT

FUNCTIONAL SYMBOLS	THIS DRAWING CONTAINS INFORMATION THAT IS PROPRIETARY TO MOLEX ELECTRONIC TECHNOLOGIES, LLC AND SHOULD NOT BE USED WITHOUT WRITTEN PERMISSION		CURRENT REV DESC:						
	$\nabla_A = 0$ $\nabla_E = 0$ $\nabla_V = 0$	DIMENSION UNITS mm							SCALE 1:1
DIVISIONAL SYMBOLS	4 PLACES	±	EC NO: 712744		PLUG HOUSING OF MICRO-FIT PLUS WTW DR POWER CONNECTOR				
	3 PLACES	±	DRWN: GLLI 2022/07/01		PRODUCT CUSTOMER DRAWING				
	2 PLACES	± 0.2	CHK'D: XQZHANG 2022/07/05		DOCUMENT NUMBER				
	1 PLACE	± 0.3	APPR: XQZHANG 2022/07/05		2159220000-SD				
0 PLACES	±	INITIAL REVISION:		DOC TYPE					
DRAFT WHERE APPLICABLE MUST REMAIN WITHIN DIMENSIONS		THIRD ANGLE PROJECTION		DRAWING		SERIES		REVISION	
				A3-SIZE		215922		A1	
				MATERIAL NUMBER		CUSTOMER		SHEET NUMBER	
						GENERAL MARKET		3 OF 6	

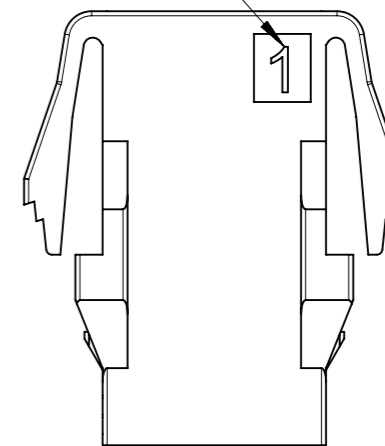
PANEL MOUNT PLUG PARTS



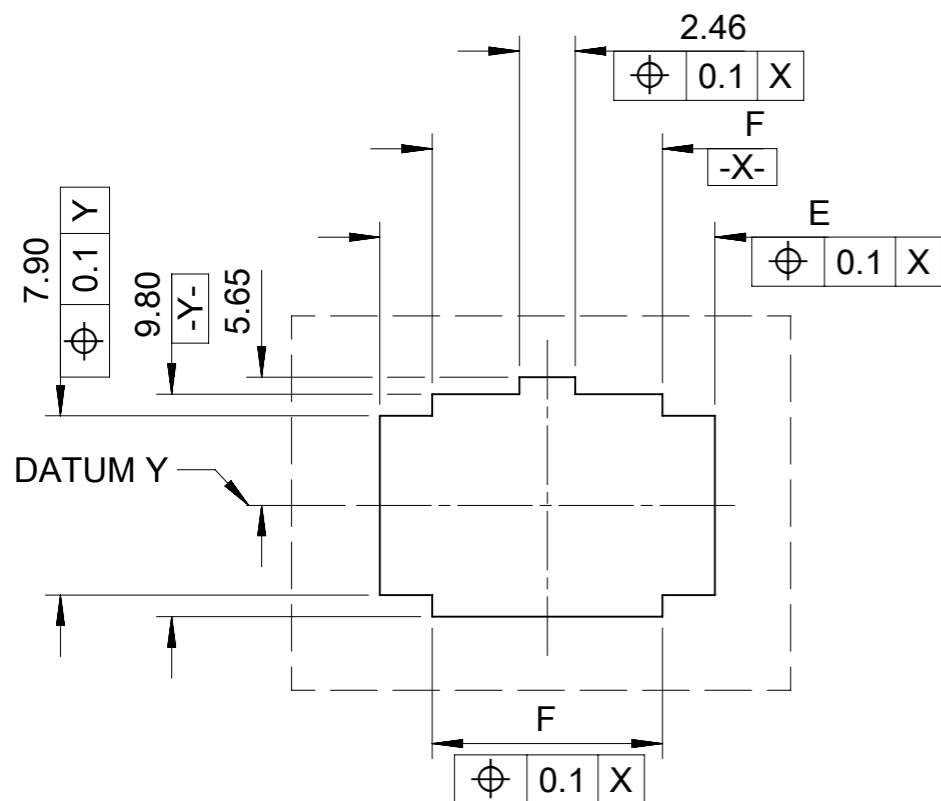
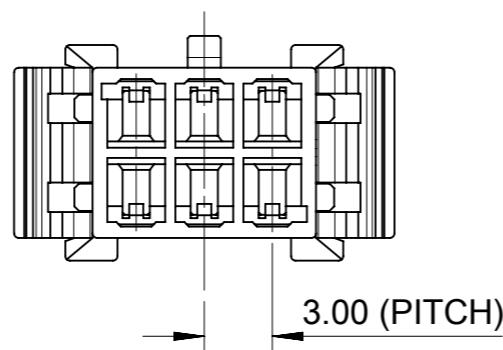
MOLEX LOGO



FIRST CIRCUIT INDICATOR



MOLEX SERIES NUMBER

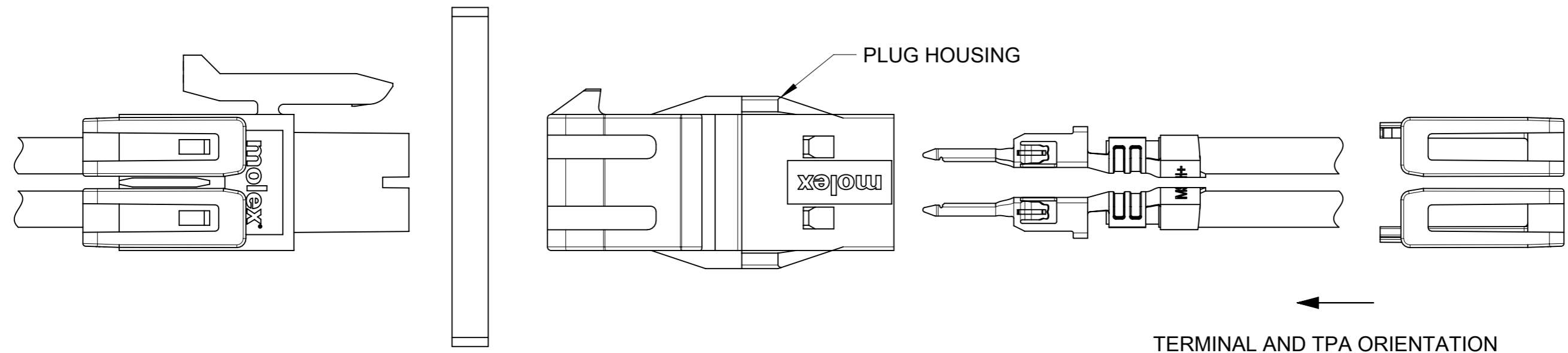
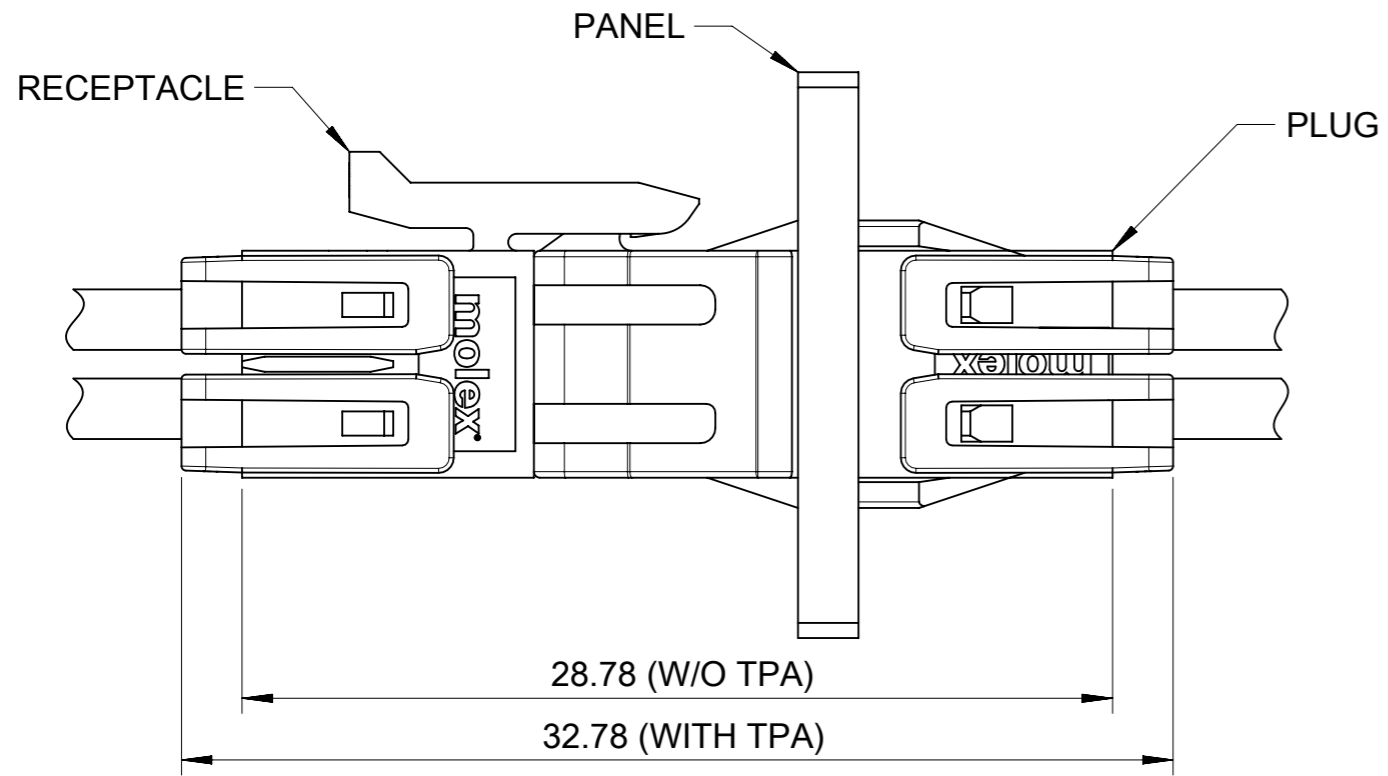


PART No	DIM 'A'	DIM 'C'	DIM 'D'	DIM 'E'	DIM 'F'	CKT SIZE
215922-0200	3.85	6.25	10.77	8.77	4.15	2
215922-0400	6.85	9.25	13.77	11.77	7.15	4
215922-0600	9.85	12.25	16.77	14.77	10.15	6
215922-0800	12.85	15.25	19.77	17.77	13.15	8
215922-1000	15.85	18.25	22.77	20.77	16.15	10
215922-1200	18.85	21.25	25.77	23.77	19.15	12
215922-1400	21.85	24.25	28.77	26.77	22.15	14
215922-1600	24.85	27.25	31.77	29.77	25.15	16
215922-1800	27.85	30.25	34.77	32.77	28.15	18
215922-2000	30.85	33.25	37.77	35.77	31.15	20
215922-2200	33.85	36.25	40.77	38.77	34.15	22
215922-2400	36.85	39.25	43.77	41.77	37.15	24

RECOMMENDED PANEL CUT OUT
(TOLERRANCE +/-0.05 THICKNESS=1.2~2.2MM)

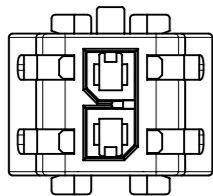
FUNCTIONAL SYMBOLS	THIS DRAWING CONTAINS INFORMATION THAT IS PROPRIETARY TO MOLEX ELECTRONIC TECHNOLOGIES, LLC AND SHOULD NOT BE USED WITHOUT WRITTEN PERMISSION	CURRENT REV DESC:																											
	<table border="1"> <tr> <th>FUNCTIONAL SYMBOLS</th> <th>DIMENSION UNITS</th> <th>SCALE</th> </tr> <tr> <td>$\nabla A = 0$</td> <td>mm</td> <td>1:1</td> </tr> <tr> <td>$\nabla E = 0$</td> <td colspan="2">GENERAL TOLERANCES (UNLESS SPECIFIED)</td> </tr> <tr> <td>$\nabla F = 0$</td> <td colspan="2">ANGULAR TOL ± °</td> </tr> <tr> <td rowspan="5">DIVISIONAL SYMBOLS</td> <td>4 PLACES</td> <td>±</td> </tr> <tr> <td>3 PLACES</td> <td>±</td> </tr> <tr> <td>2 PLACES</td> <td>± 0.2</td> </tr> <tr> <td>1 PLACE</td> <td>± 0.3</td> </tr> <tr> <td>0 PLACES</td> <td>±</td> </tr> </table>	FUNCTIONAL SYMBOLS	DIMENSION UNITS					SCALE	$\nabla A = 0$	mm	1:1	$\nabla E = 0$	GENERAL TOLERANCES (UNLESS SPECIFIED)		$\nabla F = 0$	ANGULAR TOL ± °		DIVISIONAL SYMBOLS	4 PLACES	±	3 PLACES	±	2 PLACES	± 0.2	1 PLACE	± 0.3	0 PLACES	±	EC NO: 712744 DRWN: GLLI 2022/07/01 CHK'D: XQZHANG 2022/07/05 APPR: XQZHANG 2022/07/05
FUNCTIONAL SYMBOLS	DIMENSION UNITS	SCALE																											
$\nabla A = 0$	mm	1:1																											
$\nabla E = 0$	GENERAL TOLERANCES (UNLESS SPECIFIED)																												
$\nabla F = 0$	ANGULAR TOL ± °																												
DIVISIONAL SYMBOLS	4 PLACES	±																											
	3 PLACES	±																											
	2 PLACES	± 0.2																											
	1 PLACE	± 0.3																											
	0 PLACES	±																											
PRODUCT CUSTOMER DRAWING				DOCUMENT NUMBER																									
INITIAL REVISION:				2021/01/29		2021/11/15																							
DRWN: GLLI				2021/01/29		2021/11/15																							
APPR: XQZHANG				2021/01/29		2021/11/15																							
DRAFT WHERE APPLICABLE MUST REMAIN WITHIN DIMENSIONS				THIRD ANGLE PROJECTION	DRAWING	SERIES	MATERIAL NUMBER	CUSTOMER	SHEET NUMBER																				
					A3-SIZE	215922		GENERAL MARKET	4 OF 6																				

PANEL MOUNT PLUG PARTS

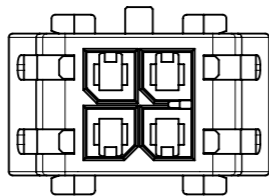


FUNCTIONAL SYMBOLS	THIS DRAWING CONTAINS INFORMATION THAT IS PROPRIETARY TO MOLEX ELECTRONIC TECHNOLOGIES, LLC AND SHOULD NOT BE USED WITHOUT WRITTEN PERMISSION		
	△/A = 0	mm	SCALE 1:1
DIVISIONAL SYMBOLS	CURRENT REV DESC:		
	△/E = 0	GENERAL TOLERANCES (UNLESS SPECIFIED)	
DIVISIONAL SYMBOLS	△/F = 0	ANGULAR TOL ± °	
	4 PLACES	±	
	3 PLACES	±	
	2 PLACES	± 0.2	
	1 PLACE	± 0.3	
0 PLACES	±		
DRAFT WHERE APPLICABLE MUST REMAIN WITHIN DIMENSIONS		THIRD ANGLE PROJECTION	DRAWING A3-SIZE
		SERIES 215922	
		MATERIAL NUMBER	CUSTOMER
		2159220000-SD	GENERAL MARKET
		DOCUMENT NUMBER	DOC TYPE DOC PART REVISION
		2159220000-SD	PSD 000 A1
		EC NO: 712744	
		DRWN: GLLI	2022/07/01
		CHK'D: XQZHANG	2022/07/05
		APPR: XQZHANG	2022/07/05
		INITIAL REVISION:	
		DRWN: GLLI	2021/01/29
		APPR: XQZHANG	2021/11/15
		SHEET NUMBER	5 OF 6

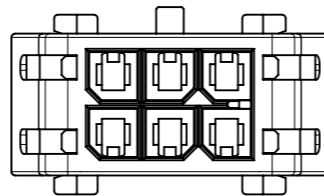
PANEL MOUNT PLUG PARTS



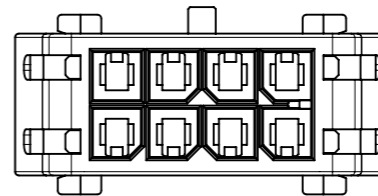
2 CKT



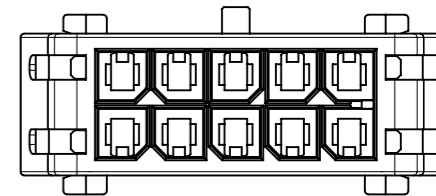
4 CKT



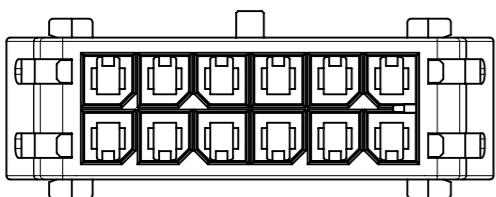
6 CKT



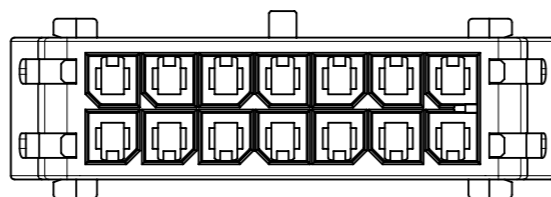
8 CKT



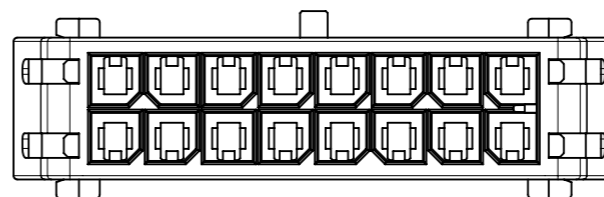
10 CKT



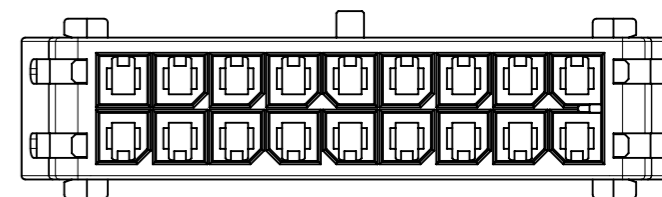
12 CKT



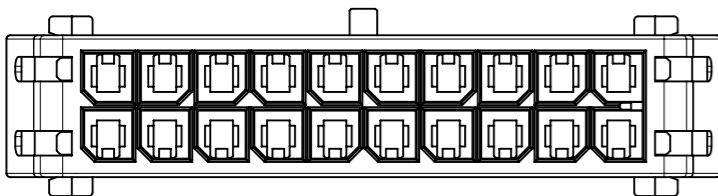
14 CKT



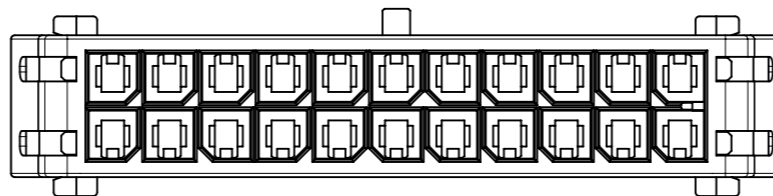
16 CKT



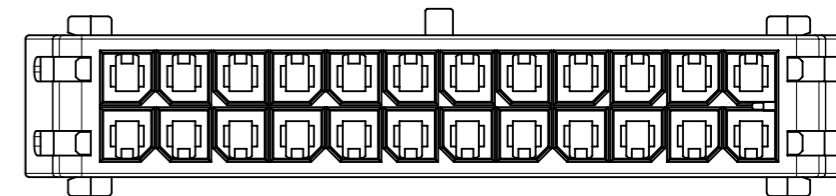
18 CKT



20 CKT



22 CKT



24 CKT

FUNCTIONAL SYMBOLS	THIS DRAWING CONTAINS INFORMATION THAT IS PROPRIETARY TO MOLEX ELECTRONIC TECHNOLOGIES, LLC AND SHOULD NOT BE USED WITHOUT WRITTEN PERMISSION		<div style="text-align: center; font-weight: bold; font-size: 1.2em;">molex</div> <p>PLUG HOUSING OF MICRO-FIT PLUS WTW DR POWER CONNECTOR</p>				
	$\nabla_A = 0$ $\nabla_E = 0$ $\nabla_V = 0$	DIMENSION UNITS: mm SCALE: 1:1 GENERAL TOLERANCES (UNLESS SPECIFIED) ANGULAR TOL ± ° 4 PLACES ± 3 PLACES ± 2 PLACES ± 0.2 1 PLACE ± 0.3 0 PLACES ±					CURRENT REV DESC: EC NO: 712744 DRWN: GLLI APPR: XQZHANG INITIAL REVISION: DRWN: GLLI APPR: XQZHANG
DIVISIONAL SYMBOLS	DRAFT WHERE APPLICABLE MUST REMAIN WITHIN DIMENSIONS	THIRD ANGLE PROJECTION 	DRAWING A3-SIZE	SERIES 215922	MATERIAL NUMBER CUSTOMER GENERAL MARKET	SHEET NUMBER 6 OF 6	