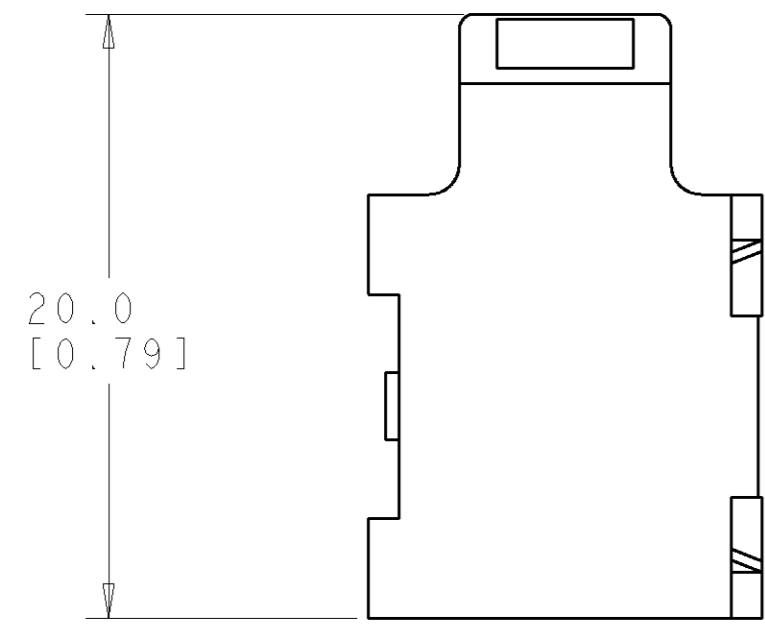


THIS DRAWING IS UNPUBLISHED. RELEASED FOR PUBLICATION 20
 © COPYRIGHT 20 BY TYCO ELECTRONICS CORPORATION. ALL RIGHTS RESERVED.

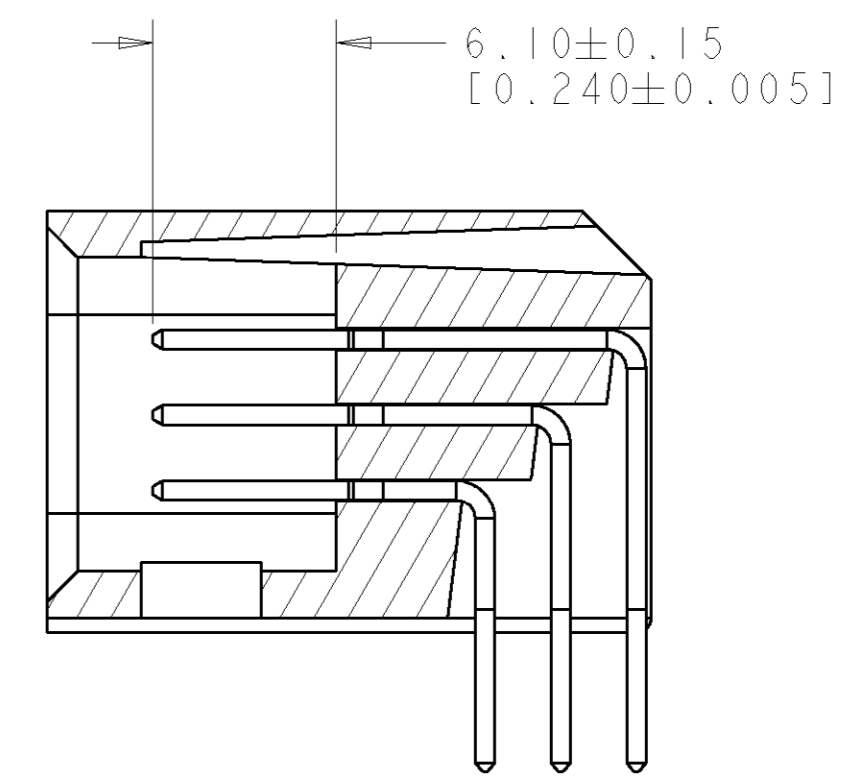
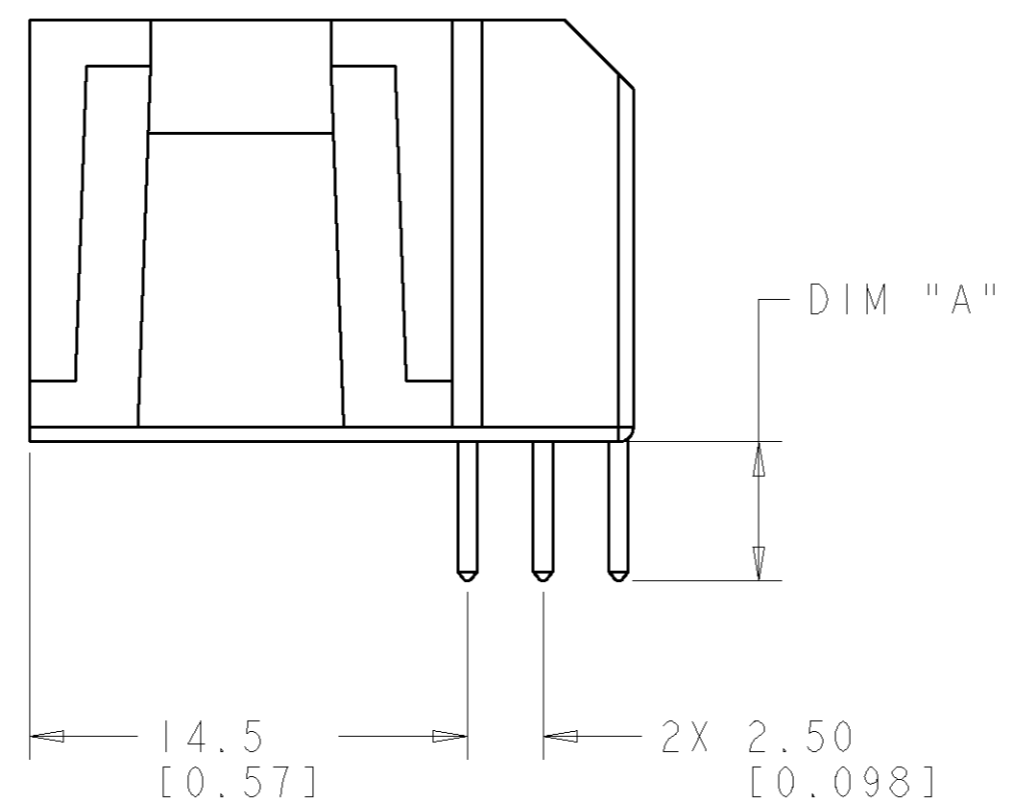
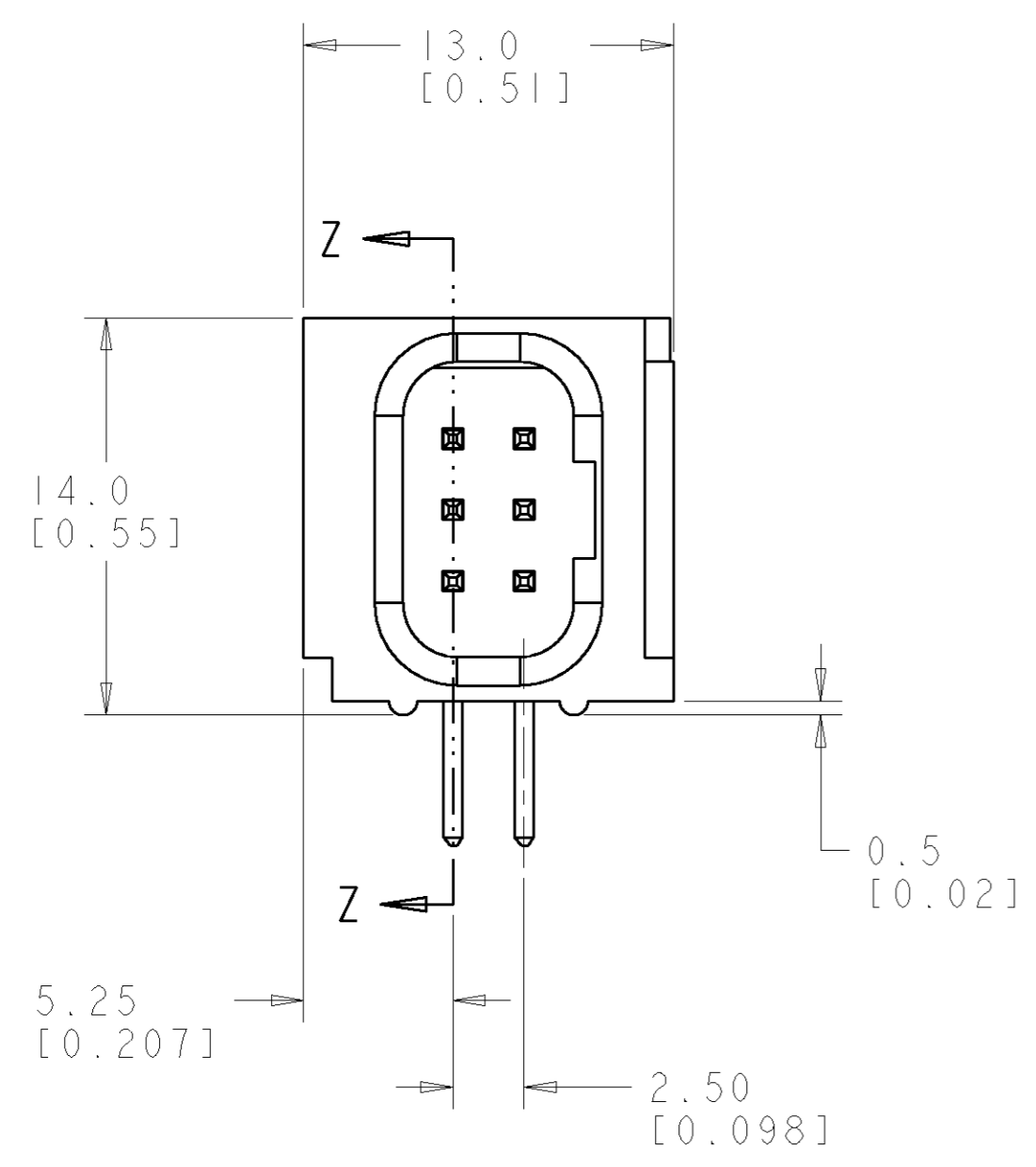
LOC	DIST	REVISIONS			
P	LTR	DESCRIPTION	DATE	DWN	APVD
GP	00	A	NEW RELEASE	09MAR2007	RG PD



- PART NUMBER CHANGES AND OR DESIGN CHANGES AFFECTING ITEM INTERCHANGEABILITY REQUIRE PRIOR TYCO APPROVAL AND AUTHORIZATION BY REVISION TO THIS DRAWING.
- MATERIAL:
 INSULATORS - THERMOPLASTIC, GLASS REINFORCED, COLOR: BLACK UL94V-0 FLAMMABILITY RATED.
 SIGNAL CONTACTS - BRASS ALLOY,
- FINISH:
 CONTACTS - GOLD PLATE 0.76 MICROMETERS MIN. THK., OVER NICKEL 1.27 MICROMETERS MIN. THK
 SOLDER TAILS, TIN 3.05 MICROMETERS MIN. THK. OVER NICKEL 1.27 MICROMETERS MIN. THK
- ITEMS PROVIDED TO THIS SPECIFICATION TO BE PERMANENTLY IDENTIFIED ON THE CONTAINER PER THE FOLLOWING IDENTIFIER LABEL

YEAR WEEK

TYCO PART NO. DATE CODE (e.g. 0106)
 XXXXXXXX-X XXXX



SECTION Z-Z

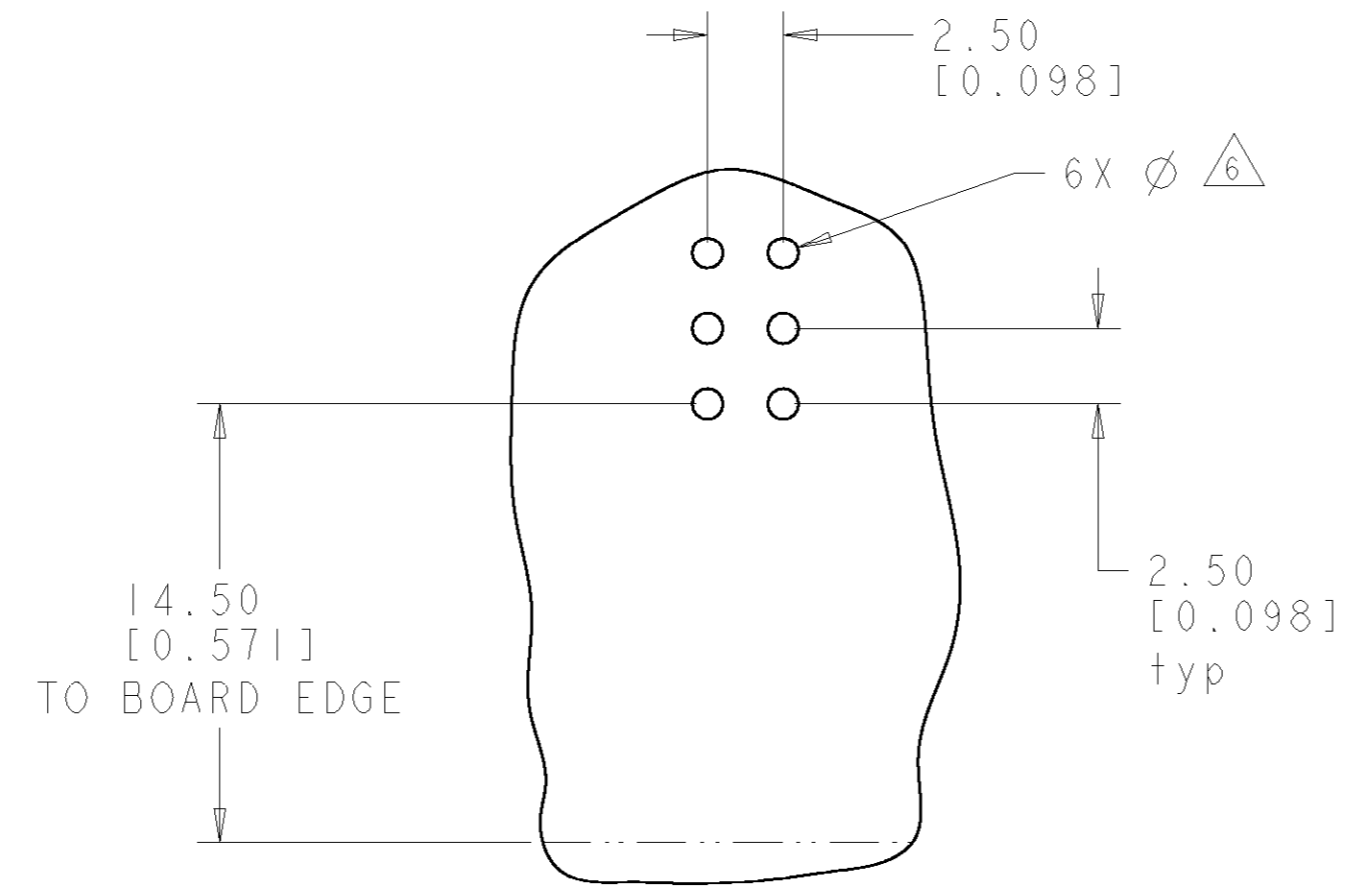
3.56-2.54 [.140-.100]	6648610-2
5.08-4.06 [.200-.160]	6648610-1
DIM "A"	PART NUMBER

ELCON FLATPAQ

THIS DRAWING IS A CONTROLLED DOCUMENT FOR TYCO ELECTRONICS CORPORATION. IT IS SUBJECT TO CHANGE AND THE CONTROLLING ENGINEERING ORGANIZATION SHOULD BE CONTACTED FOR THE LATEST REVISION.		DWN: 09MAR2007 R. GRZYBOWSKI	Tyco Electronics Harrisburg, PA 17105-3608	
DIMENSIONS: mm [INCHES]		CHK: 09MAR2007 P. DAMATO	NAME: PIN CONNECTOR, RIGHT ANGLE SOLDER, FP314 FLATPAQ	
TOLERANCES UNLESS OTHERWISE SPECIFIED: 0 PLC ±3 1 PLC ±3 2 PLC ±15 3 PLC ±15 4 PLC ± ANGLES ±5 FINISH		APVD: 09MAR2007 S. FLICKINGER	SIZE: A2	CAGE CODE: 00779
MATERIAL: -		PRODUCT SPEC: -	DRAWING NO: 6648610	RESTRICTED TO: -
		APPLICATION SPEC: -	SCALE: 4:1 SHEET 1 OF 3 REV A	
		WEIGHT: -	CUSTOMER DRAWING	

THIS DRAWING IS UNPUBLISHED. RELEASED FOR PUBLICATION 20
 © COPYRIGHT 20 BY TYCO ELECTRONICS CORPORATION. ALL RIGHTS RESERVED.

LOC	DIST	REVISIONS					
GP	00	P	LTR	DESCRIPTION	DATE	DWN	APVD
		-		SEE SHEET 1	-	-	-



PRINTED CIRCUIT BOARD LAYOUT
 COMPONENT SIDE

CONNECTOR	CATALOG MODULE #	QTY	SIZE NO.	CONTACT QTY	MATING PIN	MAX. CURRENT (PER CONTACT)	CONTACT SPACING	VOLTAGE RATING
PIN	FP314	1	22	6	.64 [.025] SQ.	3 amps	2.50 [.0984]	125

ELCON **FLATPAQ**

THIS DRAWING IS A CONTROLLED DOCUMENT FOR TYCO ELECTRONICS CORPORATION. IT IS SUBJECT TO CHANGE AND THE CONTROLLING ENGINEERING ORGANIZATION SHOULD BE CONTACTED FOR THE LATEST REVISION.

DWN	R. GRZYBOWSKI	09MAR2007
CHK	P. DAMATO	09MAR2007
APVD	S. FLICKINGER	09MAR2007

tyco Tyco Electronics
 Harrisburg, PA 17105-3608

NAME: PIN CONNECTOR, RIGHT ANGLE
 SOLDER, FP314
 FLATPAQ

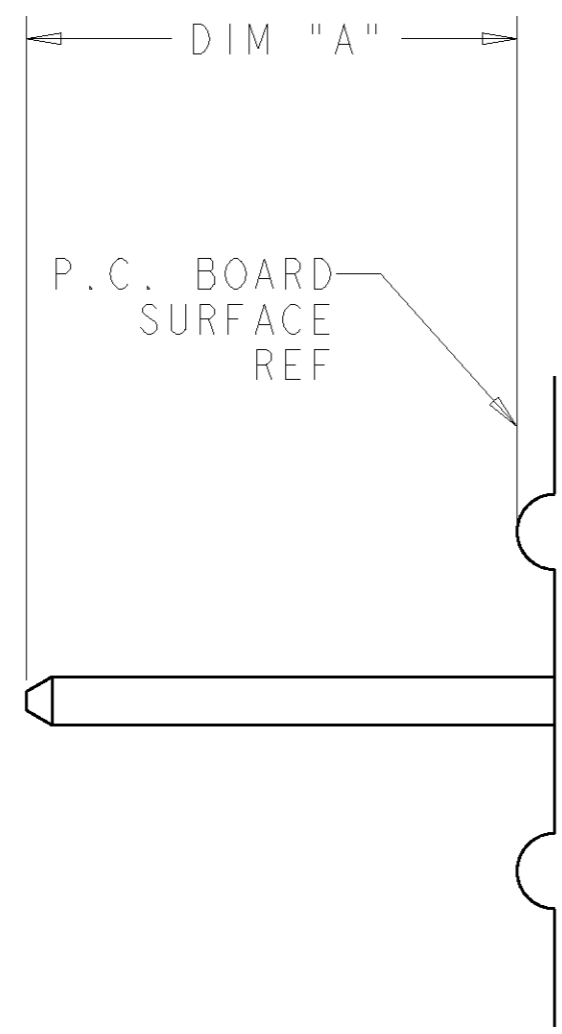
SIZE	CAGE CODE	DRAWING NO.	RESTRICTED TO
A2	00779	6648610	-

MATERIAL: - FINISH: - WEIGHT: -

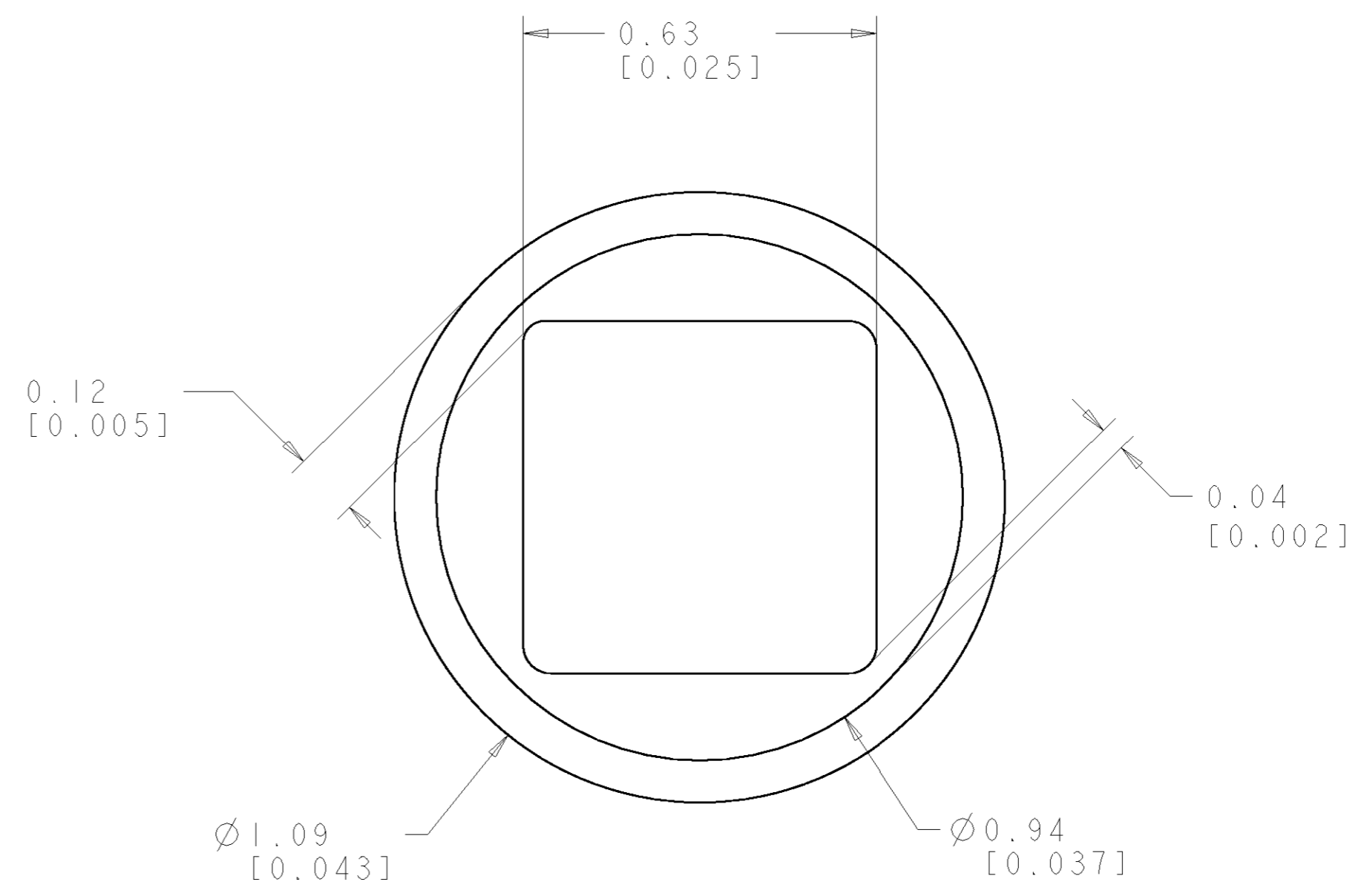
CUSTOMER DRAWING SCALE: 4:1 SHEET 2 OF 3 REV A

THIS DRAWING IS UNPUBLISHED. RELEASED FOR PUBLICATION 20
 © COPYRIGHT 20 BY TYCO ELECTRONICS CORPORATION. ALL RIGHTS RESERVED.

LOC	DIST	REVISIONS			
P	LTR	DESCRIPTION	DATE	DWN	APVD
GP	00	-	SEE SHEET 1	-	-



5. SOLDER PIN DETAIL
SCALE 10:1



6. SOLDER TERMINATION AREA
SCALE 40:1

RECOMMENDED PRINTED CIRCUIT SOLDER HOLE
 FINISHED HOLE: Ø1.02 [.040] ±.08 [.003]
 DRILLED HOLE: Ø1.15 [.0453] ±.013 [.0005]
 COPPER PLATE: .025 [.0010] MIN
 TIN PLATE: .008 [.0003] MIN. (PER SURFACE)

ELCON FLATPAQ

<small>THIS DRAWING IS A CONTROLLED DOCUMENT FOR TYCO ELECTRONICS CORPORATION IT IS SUBJECT TO CHANGE AND THE CONTROLLING ENGINEERING ORGANIZATION SHOULD BE CONTACTED FOR THE LATEST REVISION.</small>		DWN 09MAR2007 R. GRZYBOWSKI CHK 09MAR2007 P. DAMATO APVD 09MAR2007 S. FLICKINGER	tyco Electronics Tyco Electronics Harrisburg, PA 17105-3608
DIMENSIONS: mm [INCHES]	TOLERANCES UNLESS OTHERWISE SPECIFIED: 0 PLC ±. 1 PLC ±.3 2 PLC ±.15 3 PLC ±. 4 PLC ±. ANGLES ±S FINISH	NAME PIN CONNECTOR, RIGHT ANGLE SOLDER, FP314 FLATPAQ	SIZE A2
MATERIAL -	PRODUCT SPEC - APPLICATION SPEC - WEIGHT - CUSTOMER DRAWING	DRAWING NO. G-6648610	RESTRICTED TO -
		SCALE 4:1	SHEET 3 OF 3 REV A