

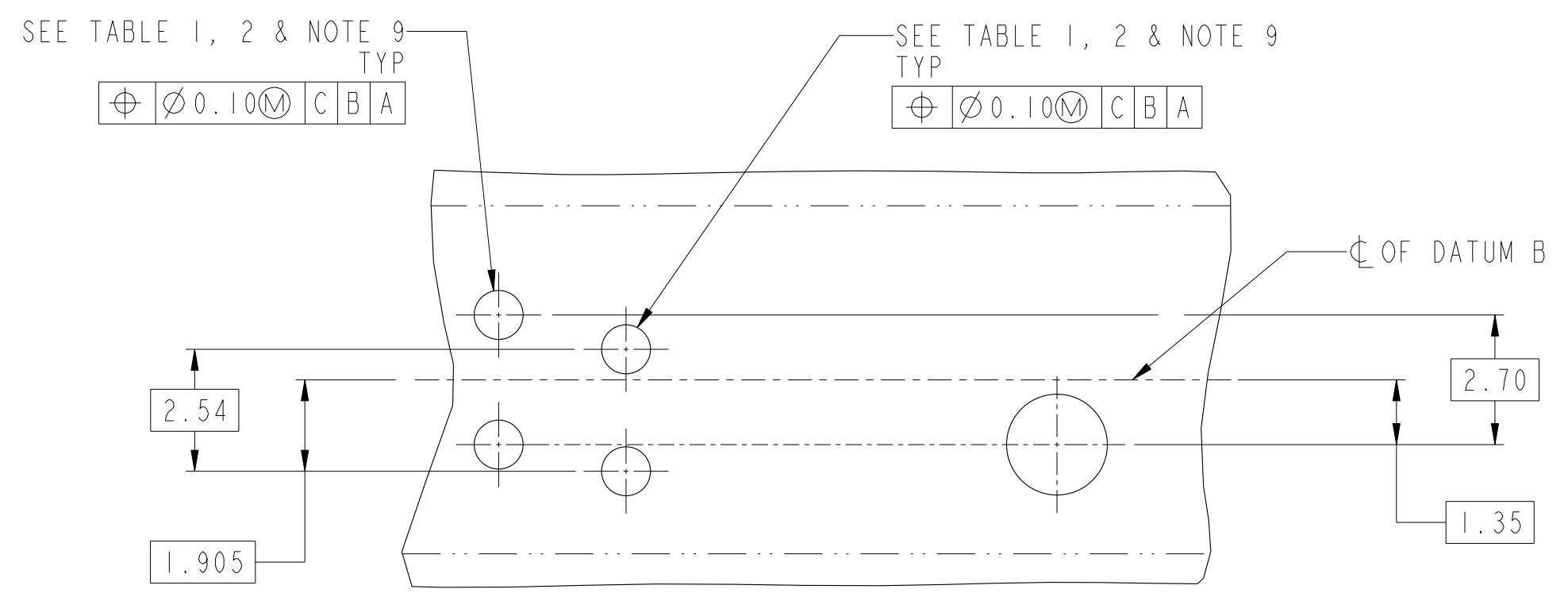
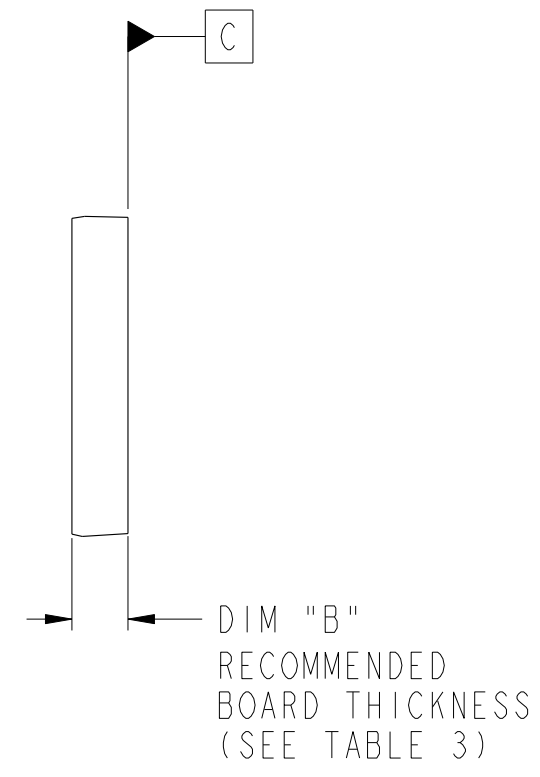
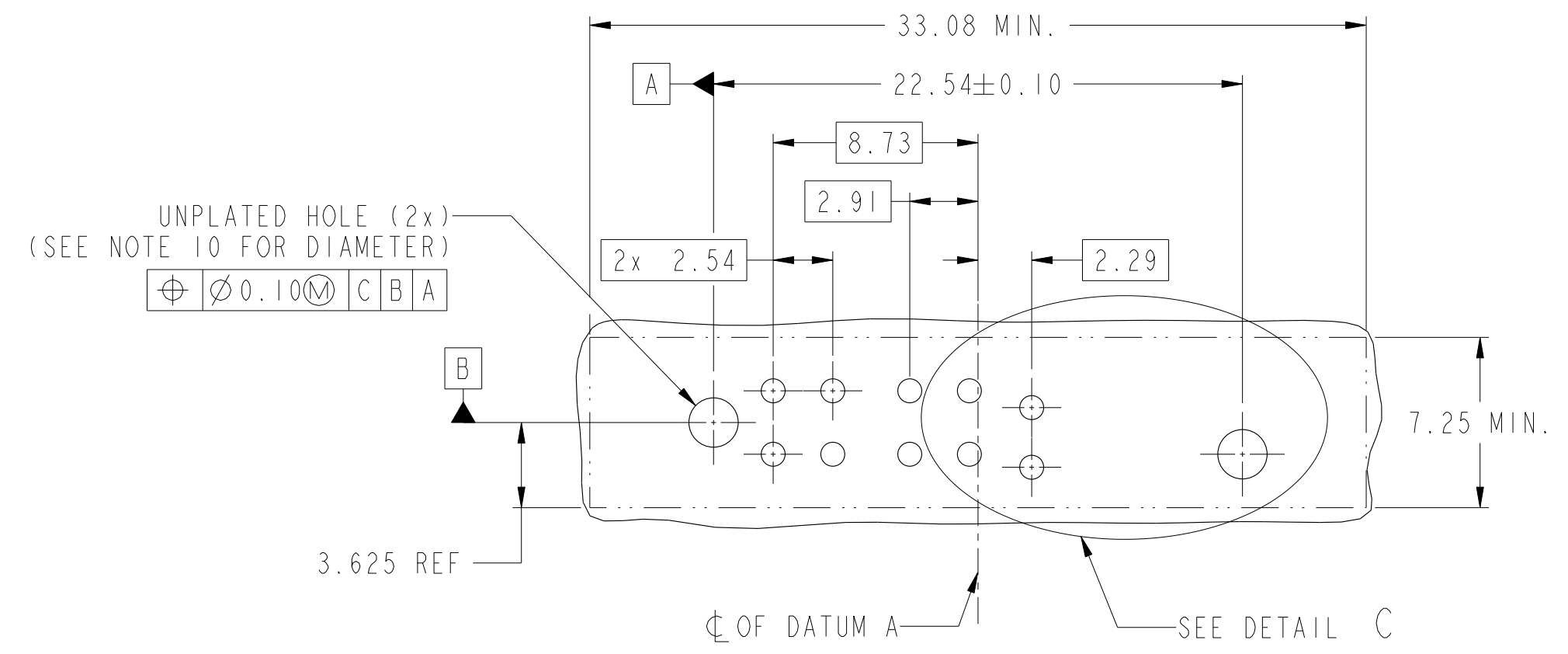
REV	ECN NO.	DR	DATE
A	---	DM	2014-01-07

spec ref	-	dr	De-Ming Lu	2014/01/06	projection	MM	size	A2	scale	4:1	
tolerance std	ISO 406 ISO 1101	eng	Julia Wang	2014/01/23			ecn no.	-	rel level	Released	
TOLERANCES UNLESS OTHERWISE SPECIFIED		chr	-	app			Pei-Ming Zheng	2014/01/23		product family	HPCE
surface	ISO 1302	linear	0.X ±0.5 0.XX ±0.25 0.XXX ±0.10	angular	0° ±2°		title	HPCE BTB VT RECEPTACLE 8P2S4P(4P OMITTED)	cat. no.	10126895	
www.fci.com						Product - Customer Drw		sheet 1 of 3		rev	A

Copyright FCI.

CONTACT TYPE	TOP LAYER DESCRIPTION	TABLE 1 (HPCE / SOLDER TAILS) PLATED THROUGH-HOLE REQUIREMENTS				
		DRILLED HOLE DIAMETER	COPPER THICKNESS	TIN-LEAD THICKNESS	TIN THICKNESS	FINISHED HOLE DIAMETER
POWER & SIGNAL	TIN-LEAD	1.10-1.16 (1.15 DRILL)	0.025 - 0.050	0.005 - 0.015	--	0.94 - 1.10
	IMMERSION TIN	1.10-1.16 (1.15 DRILL)	0.025 - 0.050	--	0.9 - 1.5um	0.94 - 1.10
	COPPER (SEE NOTE 8)	1.10-1.16 (1.15 DRILL)	0.025 - 0.050	--	--	0.94 - 1.10

CONTACT TYPE	TOP LAYER DESCRIPTION	TABLE 2 (HPCE / PRESS-FIT TAILS) PLATED THROUGH-HOLE REQUIREMENTS				
		DRILLED HOLE DIAMETER	COPPER THICKNESS	TIN-LEAD THICKNESS	TIN THICKNESS	FINISHED HOLE DIAMETER
POWER & SIGNAL	TIN-LEAD	0.81-0.86 (0.85 DRILL)	0.025 - 0.050	0.005 - 0.015	--	0.65 - 0.80
	IMMERSION TIN	0.81-0.86 (0.85 DRILL)	0.025 - 0.050	--	0.9 - 1.5um	0.70 - 0.80
	COPPER (SEE NOTE 8)	0.81-0.86 (0.85 DRILL)	0.025 - 0.050	--	--	0.70 - 0.80



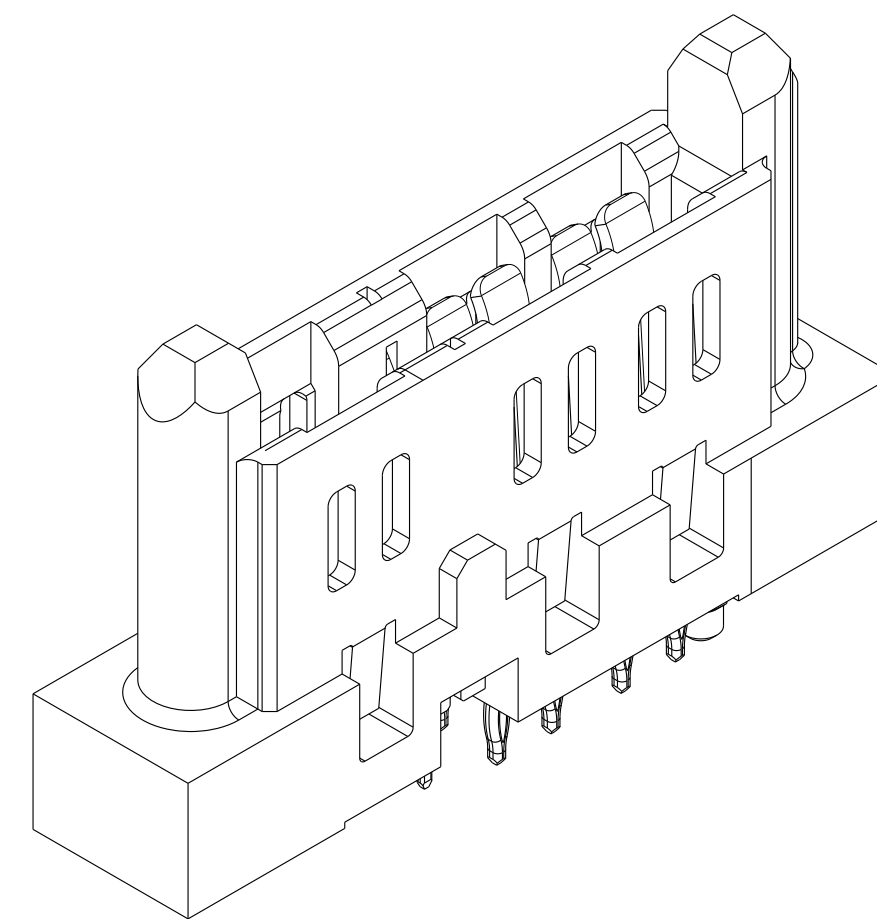
DETAIL C  
SCALE 8:1

dr	De-Ming Lu	2014/01/06	projection	MM	size	A2	scale	4:1
eng	Julia Wang	2014/01/23			ecn no.	-	rel level	Released
chr	-	-			cat. no.	Product - Customer Drw		
appr	Pei-Ming Zheng	2014/01/23	product family	HPCE	rel level	Released	dwg no.	10126895
		title HPCE BTB VT RECEPTACLE 8P2S4P(4P OMITTED)			rev	A		

Copyright FCI. FCI

HPCE PART NUMBER (TABLE 3)

PART NUMBER	TAIL TYPE	DIM "A"±0.25 TAIL LENGTH	DIM "B" RECOMMENDED BOARD THICKNESS
10126895-001LF	STB	3.17	2.40
10126895-002LF	PF		2.40



NOTES:

1. CONNECTOR MATERIALS:  
 HOUSING: HIGH TEMPERATURE THERMAL PLASTIC, BLACK  
 UL 94V-0 COMPLIANT  
 CONTACTS: HIGH PERFORMANCE COPPER ALLOY.
2. CONTACT FINISH REF. GS-12-1125 SECTION 5.2.
3. PRODUCT SPECIFICATION: GS-12-1125.
4. APPLICATION SPECIFICATION: GS-20-0388.
5. PRODUCT MARKING (FCI - PART NUMBER & DATE CODE) ON HOUSING IN AREA SHOWN.
6. PACKAGING MEETS FCI SPECIFICATION GS-14-2272.
7. HOUSING COMPONENT WILL WITHSTAND EXPOSURE TO 260°C PEAK TEMPERATURE FOR 60 SECONDS IN A CONVECTION, INFRA-RED, OR VAPOR PHASE REFLOW OVEN.
8. COPPER PLATING THICKNESS IN CENTER OF VIA-HOLE CAN BE NO MORE THAN 0.003 LESS THAN OTHER AREAS.
9. ALL HOLE SIZES ARE FINISHED HOLE SIZES.
10. MOUNTING HOLES ARE UNPLATED  
 Ø 2.18 +/- 0.03 FOR SOLDER TAILS  
 Ø 2.40 +/- 0.10 FOR PRESS FIT TAILS
11. PRESS FIT APPLICATION TOOL DRAWING: 10125182

dr	De-Ming Lu	2014/01/06	projection	MM	size	A2	scale	4:1	
eng	Julia Wang	2014/01/23			ecn no	-			
chr	-	-			product family	HPCE	rel level	Released	
appr	Pei-Ming Zheng	2014/01/23			title	HPCE BTB VT RECEPTACLE		8P2S4P(4P OMITTED)	
					cat. no.	10126895		rev	A
					Product - Customer Drw			sheet 3 of 3	