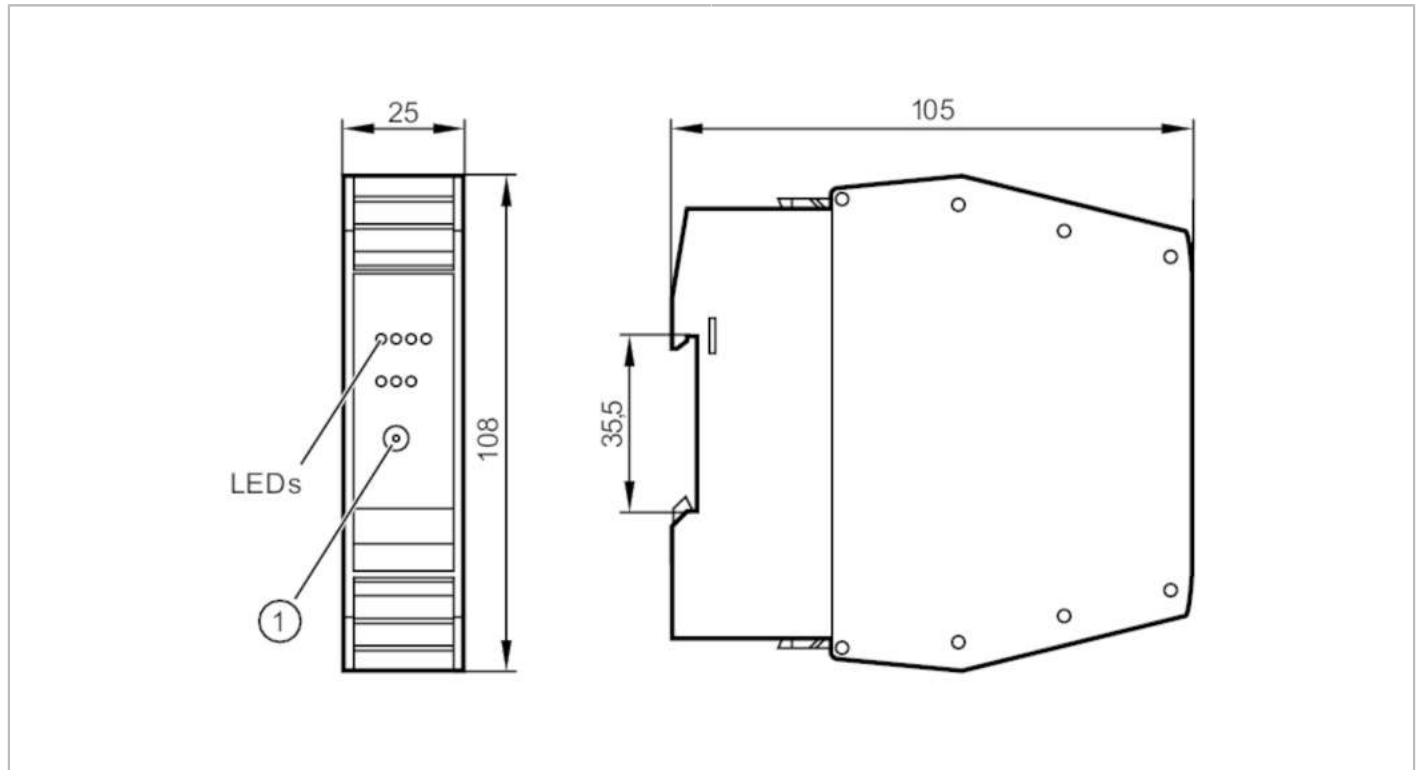


AC2250



AS-Interface control cabinet module

SmartL25 4DI C



Application	
Application	Installation in control cabinets
Electrical data	
Operating voltage [V]	26.5...31.6 DC
Max. current consumption from AS-i [mA]	250
Inputs / outputs	
Number of inputs and outputs	Number of digital inputs: 4
Inputs	
Number of digital inputs	4
Input circuit of digital inputs	PNP; (type 2 according to IEC 61131-2)
Sensor supply of the inputs	AS-i
Power supply [V]	18...30; (DC)
Max. total current rating of inputs [mA]	200
Input current High [mA]	6...10
Input current Low [mA]	0...2
Switching level high [V]	> 11
Digital inputs protected against short circuits	yes
Operating conditions	
Ambient temperature [°C]	-25...70
Max. relative air humidity [%]	90; (non condensing)



AS-Interface control cabinet module

SmartL25 4DI C

Max. height above sea level [m]	2000
Protection	IP 20
Pollution degree	2

Tests / approvals

EMC	EN 61000-6-2	
	EN 62026-2	
	EN 50581	
MTTF [years]	391	

AS-i classification

AS-i version	2.11; 3.0				
AS-i addressing	addressing socket				
Extended addressing mode	yes				
AS-i profile	S-0.A.E				
AS-i I/O configuration [hex]	0				
AS-i ID code [hex]	A.E				
AS-i certificate	35401				
Assignment of the data bits	data bit	D0	D1	D2	D3
	input	I-1	I-2	I-3	I-4

Mechanical data

Weight [g]	136
Type of mounting	mounting on DIN rail
Materials	PA

Displays / operating elements

Display	switching status	LED, yellow I1...I4
	operation	LED, green AS-i
	errors	LED, red

Accessories

Accessories (optional)	connectors
------------------------	------------

Remarks

Remarks	Do not connect any of the following points to an external potential: I-, I+, I1, I2, I3, I4
	The connections are electrically connected with the AS-i cable.
Pack quantity	1 pcs.

AC2250



AS-Interface control cabinet module

SmartL25 4DI C

Electrical connection

pin header:

Connection

I-	I-	I-	I-
I1	I2	I3	I4
I+	I+	I+	I+

A+	A-		

A+	AS-i +
A-	AS-i -
I+	Sensor supply +24V
I-	Sensor supply 0V
I1...I4	switching input sensor 1...4