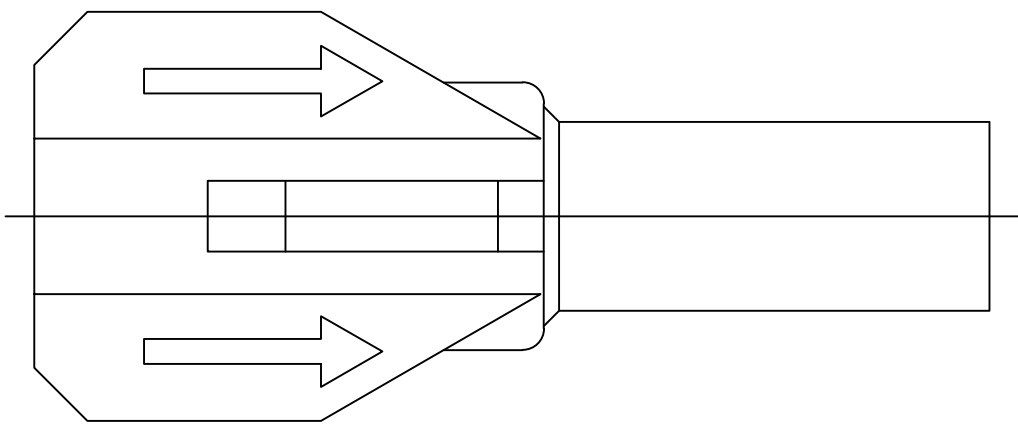
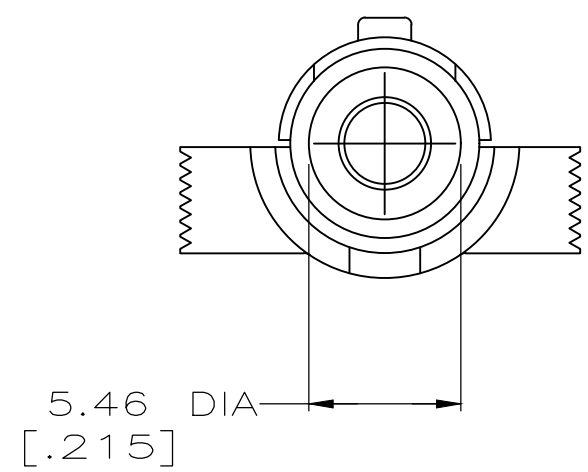
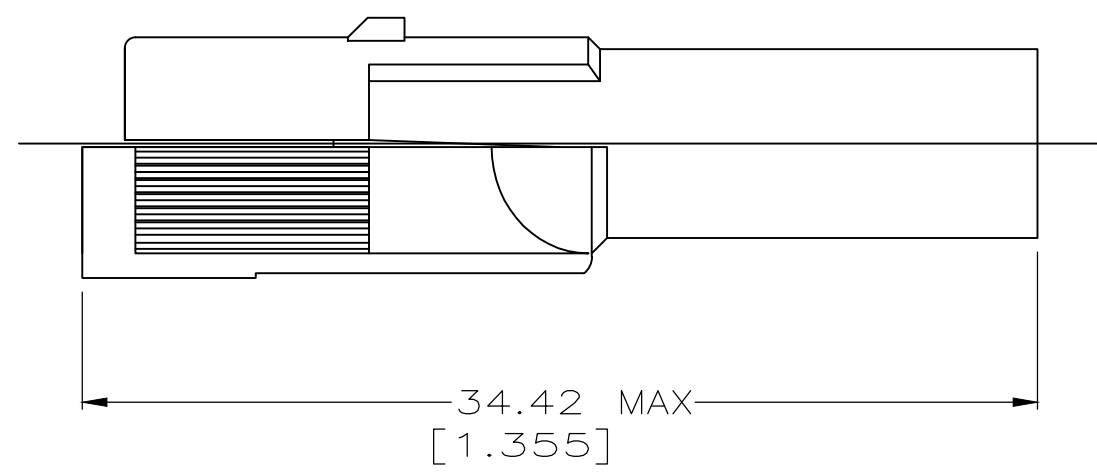
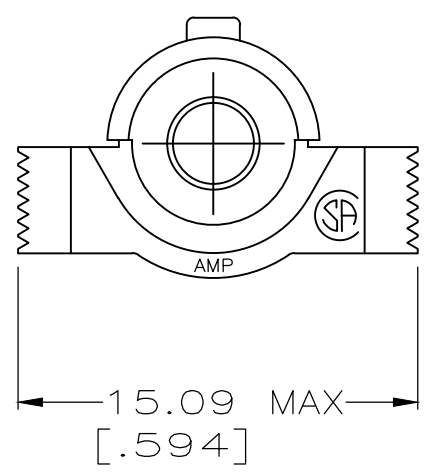


THIS DRAWING IS UNPUBLISHED. RELEASED FOR PUBLICATION
 © COPYRIGHT - TE Connectivity Ltd. ALL RIGHTS RESERVED.



REVISIONS				
P	LTR	DESCRIPTION	DATE	APVD
G		ECO-20-001558	06FEB2020	SG MZ



OBSOLETE	207535-3
OBSOLETE	207535-2
	207535-1
PART NUMBER	

1. PRODUCT PERFORMANCE IN COMPLIANCE WITH APPLICABLE PORTIONS OF AMP PRODUCT SPECIFICATION 108-10033.

 HOUSING MATERIAL: PA66, BLACK, UL 94 V-0 RATED.

THIS DRAWING IS A CONTROLLED DOCUMENT.		DWN J GALLUCCI BG 14 AUG 91	 TE Connectivity				
DIMENSIONS: mm [INCHES]		CHK J.McCLINTON 23 SEP 91					
TOLERANCES UNLESS OTHERWISE SPECIFIED: 0 PLC ± - 1 PLC ± - 2 PLC ± - 3 PLC ± 0.25[.010] 4 PLC ± - ANGLES ± -		APVD A.TRAVIS 23 SEP 91	NAME HOUSING, HERMAPHRODITIC, SINGLE, FREE HANGING, METRIMATE				
		PRODUCT SPEC -	APPLICATION SPEC -	SIZE A3	CAGE CODE 00779	DRAWING NO C-207535	RESTRICTED TO -
MATERIAL 	FINISH -	WEIGHT -	CUSTOMER DRAWING		SCALE 4:1	SHEET 1 of 1	REV G