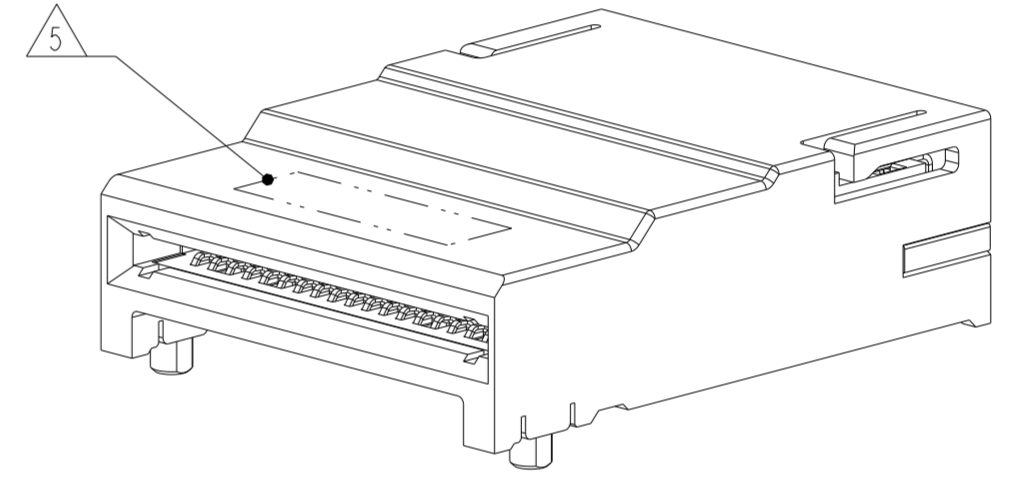
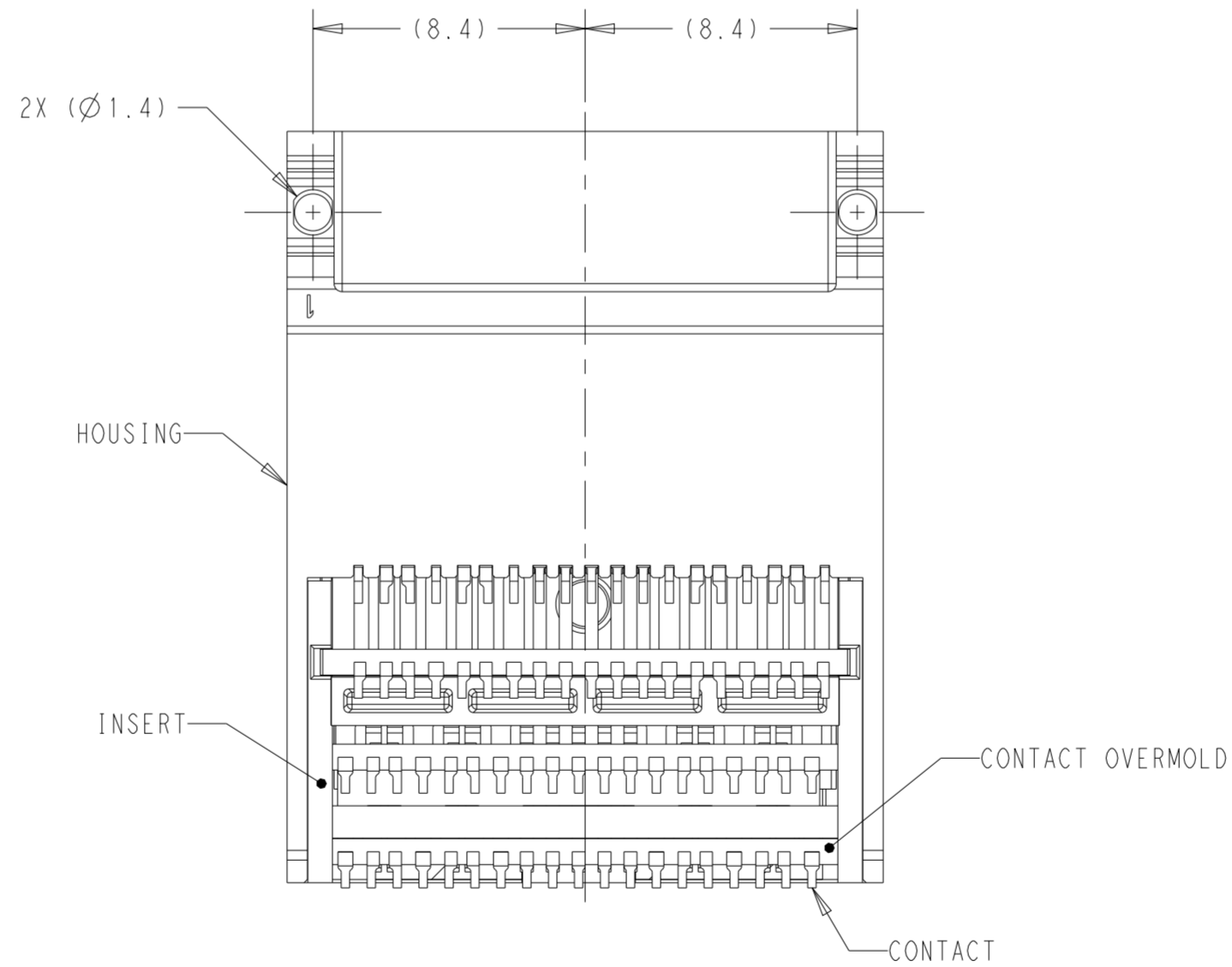
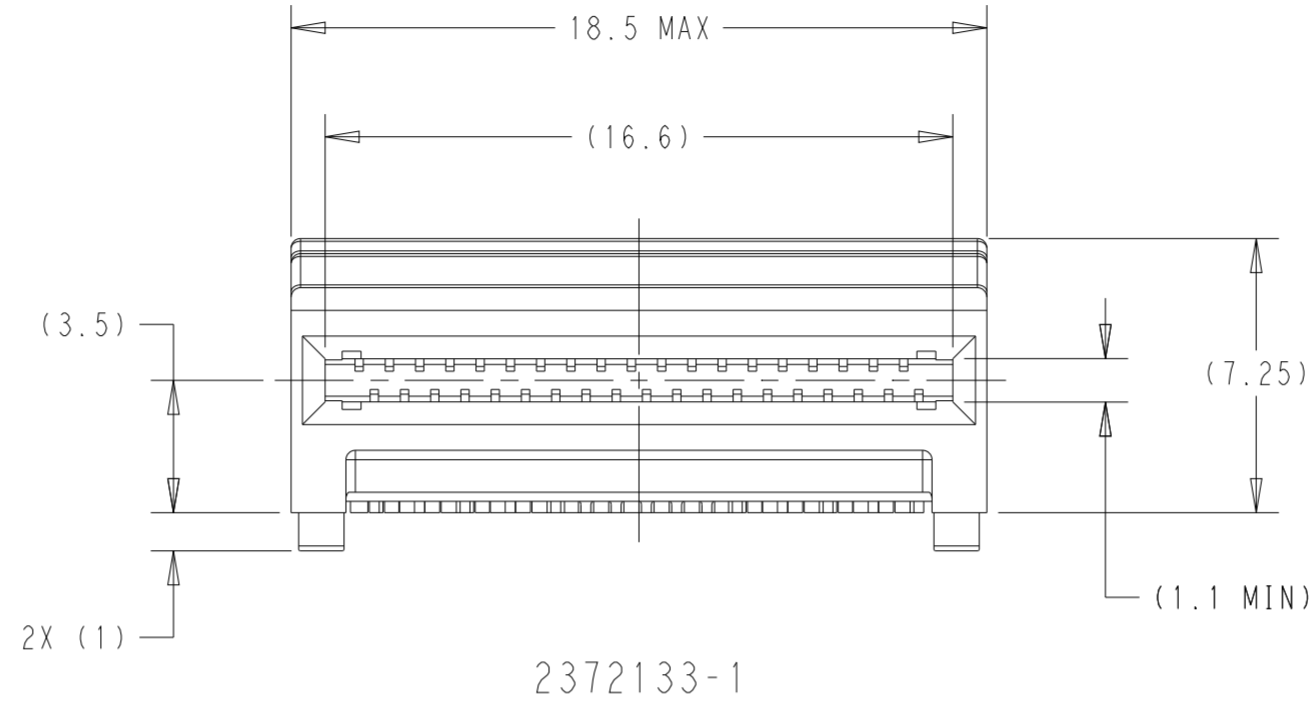
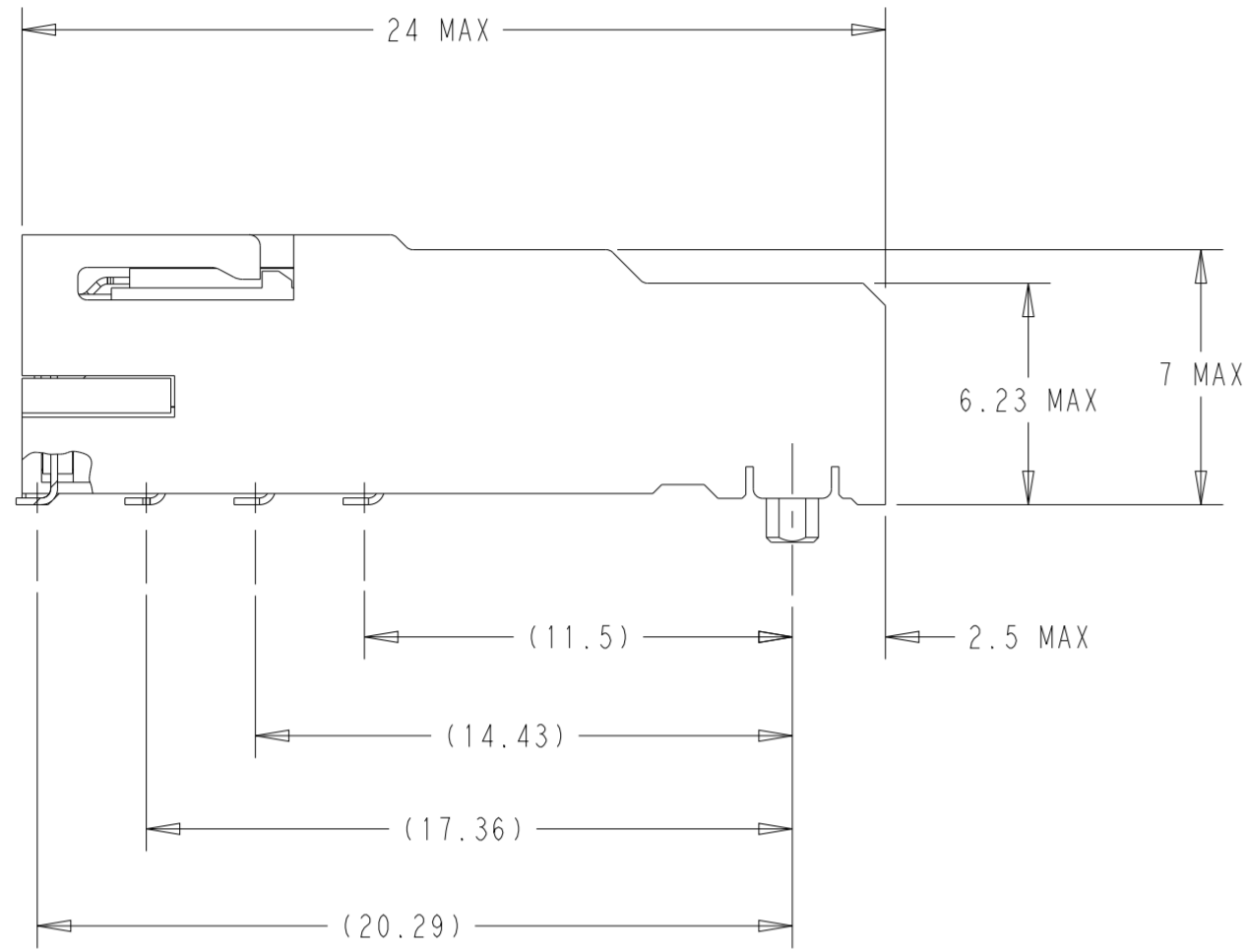


P	LTR	DESCRIPTION	DATE	DWN	APVD
A		REVISED PER ECN-22-144579	21MAR2022	AP	JW



2372133-1
SCALE 4:1

- 1 HOUSING, INSERT AND CONTACT OVERMOLDS: LCP, BLACK.
CONTACTS: COPPER ALLOY.
SOLDER WASHERS: NICKEL SILVER.
- 2 CONTACTS: 0.76µm GOLD ON MATING INTERFACE.
TIN PLATED ON PCB TAILS.
- 3. MINIMUM PC BOARD THICKNESS:
SINGLE SIDED = 1.57 MIN
DOUBLE SIDED = 2.2 MIN
- 4 DATUM AND BASIC DIMENSION ESTABLISHED BY CUSTOMER.
- 5 PART NUMBER AND DATE CODE MARKED IN APPROXIMATE AREA SHOWN.

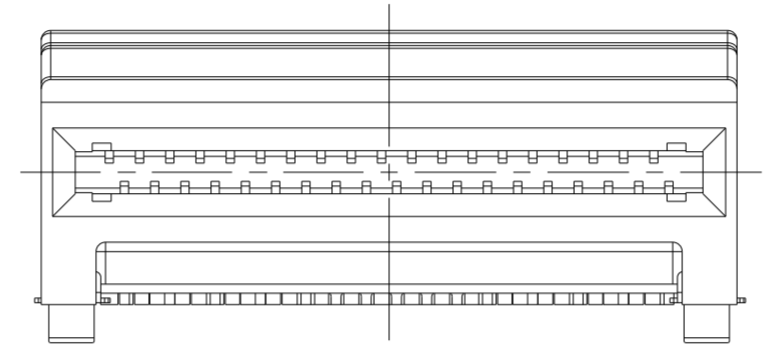
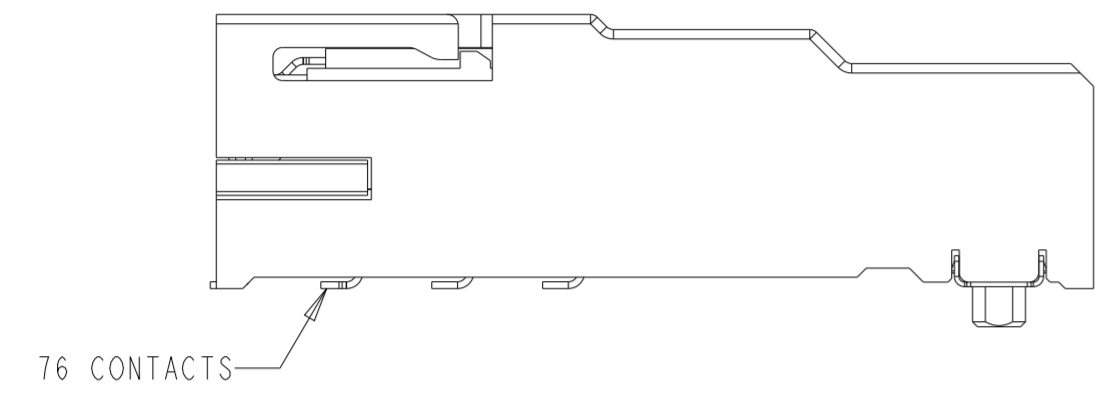
THIS DRAWING IS A CONTROLLED DOCUMENT.

DIMENSIONS:	TOLERANCES UNLESS OTHERWISE SPECIFIED:
mm	0 PLC ±0.1 1 PLC ±0.1 2 PLC ±0.1 3 PLC ± 4 PLC ± ANGLES ± FINISH
MATERIAL	

DWN	M. SHIRK	07OCT2020
CHK	M. PHILLIPS	07OCT2020
APVD	M. PHILLIPS	07OCT2020
PRODUCT SPEC	108-130016	
APPLICATION SPEC	114-130007	
WEIGHT	-	
CUSTOMER DRAWING		

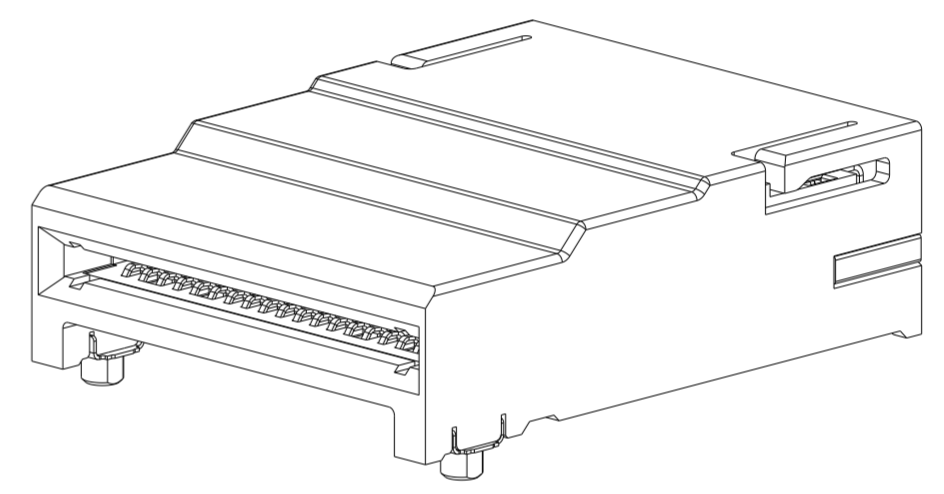
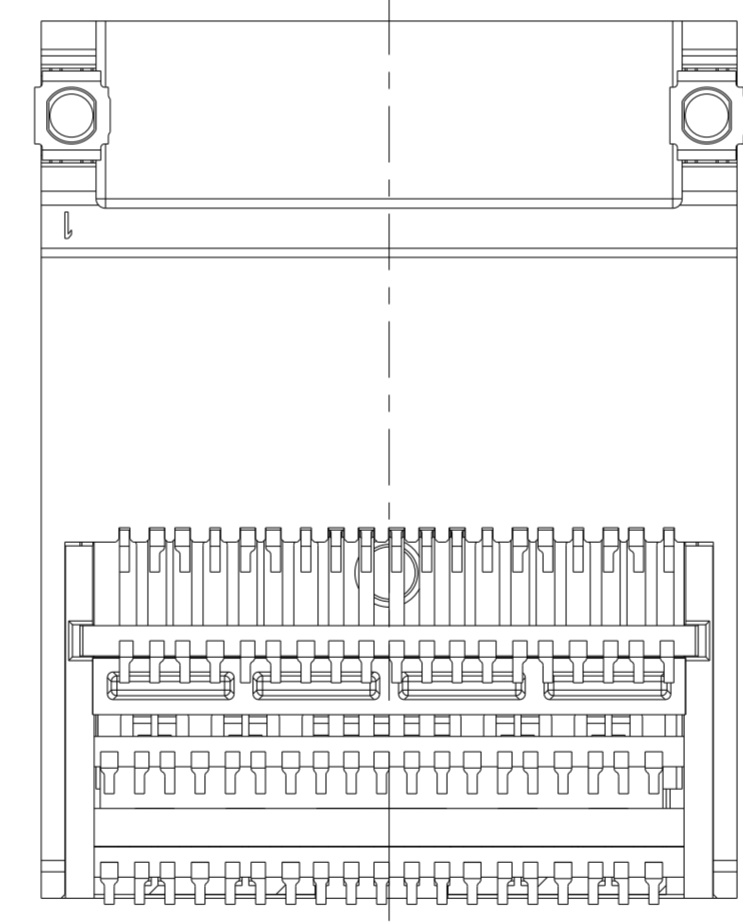
SEE SHEET 2		WITH SOLDER WASHERS	2372133-2
AS SHOWN		WITHOUT SOLDER WASHERS	2372133-1
REMARKS	DESCRIPTION	PART NUMBER	
TE Connectivity			
NAME: RECEPTACLE ASSEMBLY, 76 POSITION, QSFP DD 112			
SIZE	CAGE CODE	DRAWING NO	RESTRICTED TO
A2	00779	C-2372133	-
SCALE 5:1		SHEET 1 OF 3	REV A

REVISIONS					
P	LTR	DESCRIPTION	DATE	DWN	APVD
-		SEE SHEET 1	-	-	-



2372133-2

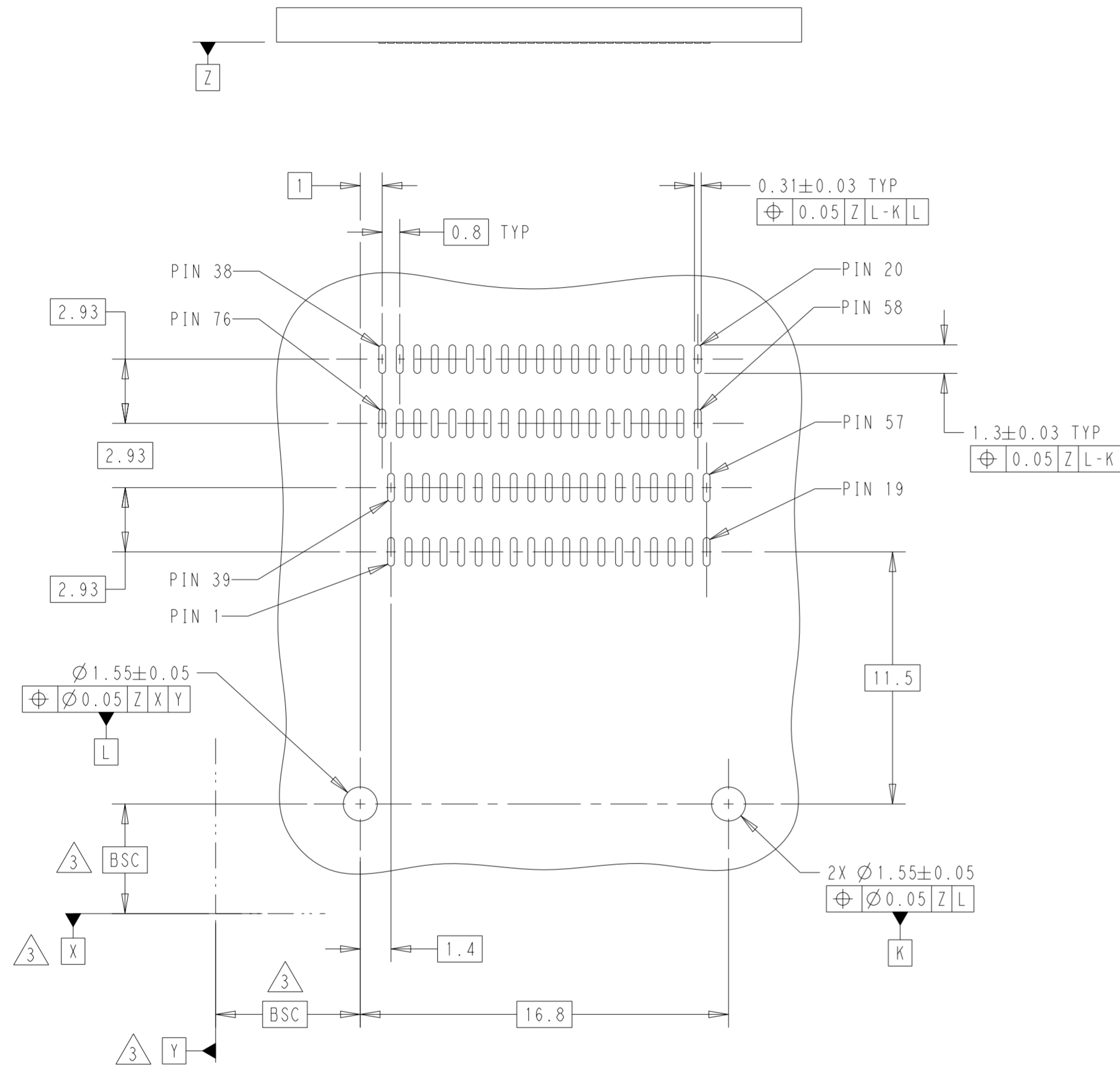
2X SOLDER WASHER



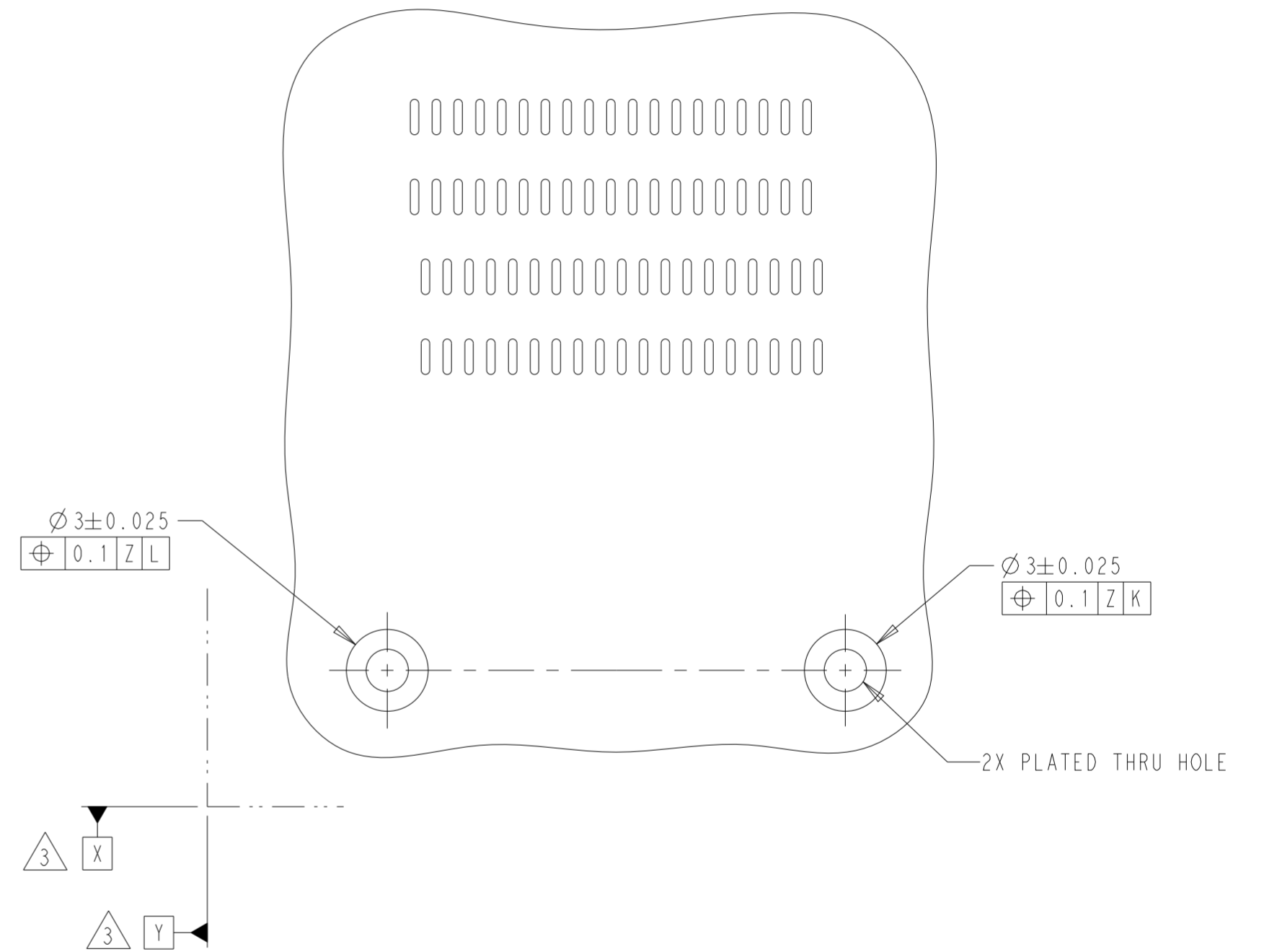
2372133-2
SCALE 4:1

THIS DRAWING IS A CONTROLLED DOCUMENT.		DWN M. SHIRK 07OCT2020	STE TE Connectivity		
DIMENSIONS: mm		CHK M. PHILLIPS 07OCT2020			
TOLERANCES UNLESS OTHERWISE SPECIFIED:		APVD M. PHILLIPS 07OCT2020	NAME RECEPTACLE ASSEMBLY, 76 POSITION, QSFP DD 112		
0 PLC ±0.1		PRODUCT SPEC 108-130016	SIZE A2		
1 PLC ±0.1		APPLICATION SPEC 114-130007	CAGE CODE 00779	DRAWING NO C-2372133	RESTRICTED TO -
2 PLC ±0.1		WEIGHT -	SCALE 5:1 SHEET 2 OF 3 REV A		
3 PLC ±		CUSTOMER DRAWING			
4 PLC ±					
ANGLES ±					
FINISH					

P	LTR	DESCRIPTION	DATE	DWN	APVD
-	-	SEE SHEET 1	-	-	-



2372133-1
RECOMMENDED PCB LAYOUT



2372133-2
RECOMMENDED PCB LAYOUT
SAME AS 2372133-1 EXCEPT AS NOTED

THIS DRAWING IS A CONTROLLED DOCUMENT.		DWN M. SHIRK 07OCT2020	TE Connectivity	
DIMENSIONS: mm		CHK M. PHILLIPS 07OCT2020		
TOLERANCES UNLESS OTHERWISE SPECIFIED:		APVD M. PHILLIPS 07OCT2020	NAME RECEPTACLE ASSEMBLY, 76 POSITION, QSFP DD 112	
0 PLC ±0.1 1 PLC ±0.1 2 PLC ±0.1 3 PLC ± 4 PLC ± ANGLES ± FINISH ±		PRODUCT SPEC 108-130016	SIZE A2	
MATERIAL		APPLICATION SPEC 114-130007	CAGE CODE 00779	DRAWING NO C-2372133
-		WEIGHT	RESTRICTED TO	
-		CUSTOMER DRAWING	SCALE 5:1	SHEET 3 OF 3
-		REV A		