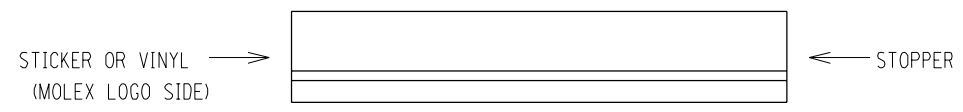


DWG. NO.
SD-35301-002

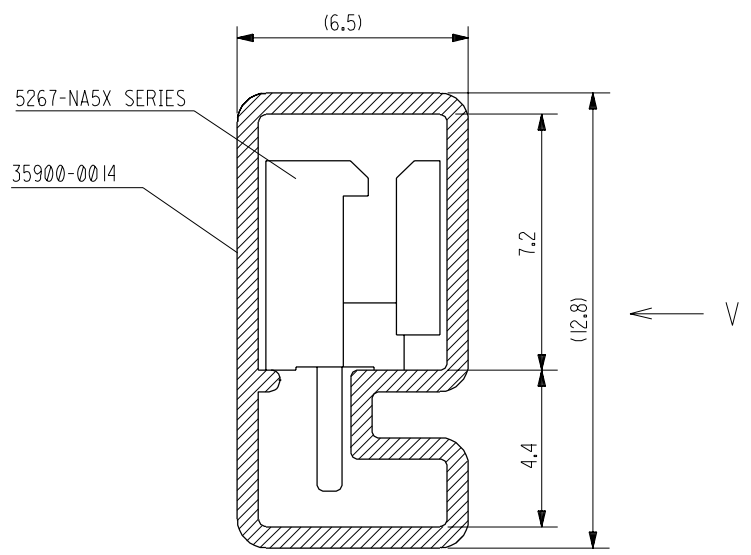
SIMILAR ITEM

PROJECT NO.

5 4 3 2 1



VIEW V



NOTES

1. PACKING TYPE : STOPPER & STICKER LOCKING TYPE(GENERAL)
: VINYL & STOPPER LOCKING TYPE(FOR S/S)
2. THICKNESS : 0.6 †
3. LENGTH : 550 mm

8	35301-0860	353010860	20	5267-NA5X SERIES
7	35301-0760	353010760	25	
3	35301-0360	353010360	50	
2	35301-0260	353010260	70	
CKTS	ENG NO.	MAT'L NO.	Q'TY/TUBE	USED ON

NEW RELEASED EC NO. KOR2002-0048 DRWN: KSKIM(011130) CHK: J.K.OH APPR: C.W.LEE	DESCRIPTION	QUALITY SYMBOLS	GENERAL TOLERANCES: (UNLESS SPECIFIED)		SCALE 5 : 1	DESIGN UNITS <input checked="" type="checkbox"/> mm <input type="checkbox"/> INCH	THIRD ANGLE PROJECTION <input type="checkbox"/> <input checked="" type="checkbox"/>	DIMENSIONS: <input type="checkbox"/> mm <input type="checkbox"/> INCH <input checked="" type="checkbox"/> mm ONLY	SHT	REV
		MAJOR =	CRITICAL =	mm	INCH	DRAWN BY & DATE K.S.KIM(011130)		TITLE: TUBE PACKAGED FOR 5267-NA5X SERIES		
A	REV	4 PLACES	±0.	±.	CHECKED BY & DATE J.K.OH		MOLEX INCORPORATED KOREA			
		3 PLACES	±0.	±.	APPROVED BY & DATE C.W.LEE					
		2 PLACES	±0.	±.	CAD FILENAME E35301B.DGN		MATERIAL NO. SEE TABLE	DRAWING NO. SD-35301-002	SHEET NO. 1 OF 1	
		1 PLACE	±0.4	±.	ANGULAR: ± 3 °		THIS DRAWING CONTAINS INFORMATION THAT IS PROPRIETARY TO MOLEX INCORPORATED AND SHOULD NOT BE USED WITHOUT WRITTEN PERMISSION.			
		DRAFT WHERE APPLICABLE MUST REMAIN WITHIN DIMENSIONS			SIZE A					

5 4 3 2 1 MX-A4

DO NOT SCALE DRAWING
DIMENSION IN METRIC

B

C

PROJECT NO.

SIMILAR ITEM

DWG. NO.

8 7 6 5 4 3 2 1

F

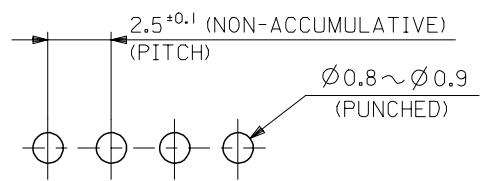
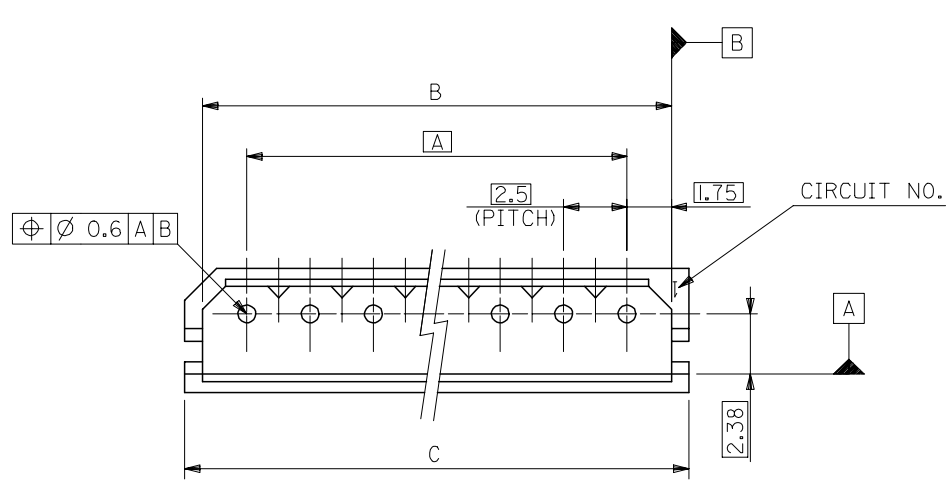
E

D

C

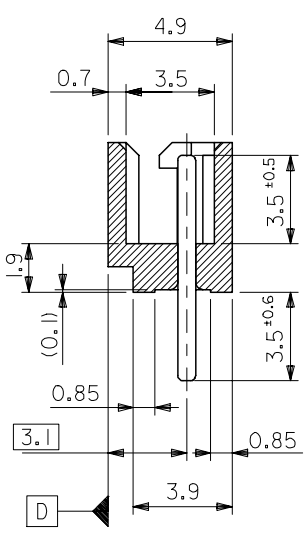
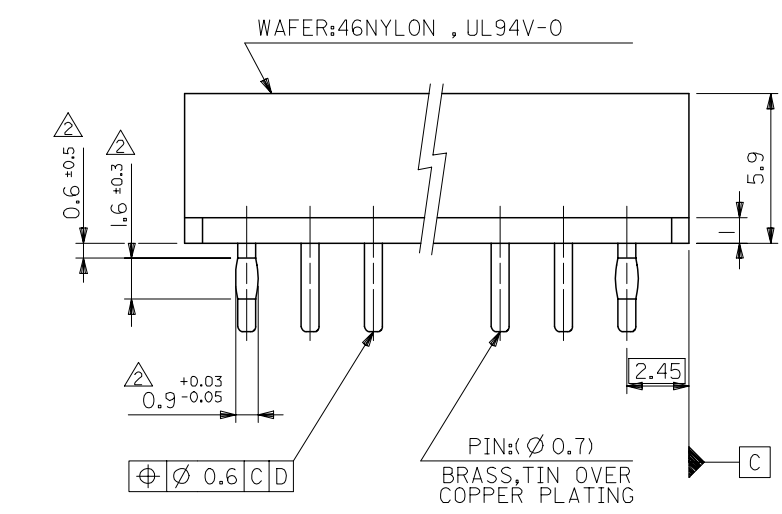
B

A



RECOMMENDED P.C. BOARD HOLE DIM.
(t=1.6)

NOTES:
1. MATES WITH : 5264 SERIES.
2. APPLIES : PIN, BOTH ENDS



22.4	21	17.5	39-34-1087	5267-08A5-X	35301-0860	8
19.9	18.5	15	39-34-1077	5267-07A5-X	35301-0760	7
9.9	8.5	5	39-34-1037	5267-03A5-X	35301-0360	3
7.4	6	2.5	39-34-1027	5267-02A5-X	35301-0260	2
C	B	A	EDP NO.	ENG NO.	ENG NO.	NO OF CKT.

ANGLE	±3°
30 OVER	±0.3
10 OVER 30 UNDER	±0.25
10 UNDER	±0.2
GENERAL TOLERANCES	

NEW RELEASED
ECN NO. KOR2006-0082
DRWN: K.S.KIM (060102)
CHK: Y.Soo.KIM
APPR: SH.CHOI

QUALITY SYMBOLS
MAJOR
CRITICAL

GENERAL TOLERANCES:
(UNLESS SPECIFIED)

	mm	INCH
4 PLACES	±0.	±-
3 PLACES	±0.	±-
2 PLACES	±0.	±-
1 PLACE	±0.	±-

ANGULAR: ± °

DRAFT WHERE APPLICABLE MUST REMAIN WITHIN DIMENSIONS

SCALE 5:1
DESIGN UNITS mm INCH
DRAWN BY & DATE K.S.KIM (060102)
CHECKED BY & DATE Y.Soo.KIM
APPROVED BY & DATE SH.CHOI
CAD FILENAME

THIRD ANGLE PROJECTION mm INCH mm ONLY
DIMENSIONS: mm INCH mm ONLY
SHT REV
REVISE ON CAD ONLY

TITLE:
2.5 LOW PROFILE
WAFER ASS'Y WITH COIN

MOLEX INCORPORATED

MATERIAL NO. DRAWING NO. SHEET NO.
SD-35301-015 1 OF 1

THIS DRAWING CONTAINS INFORMATION THAT IS PROPRIETARY TO MOLEX INCORPORATED AND SHOULD NOT BE USED WITHOUT WRITTEN PERMISSION.

SIZE B

8 7 6 5 4 3 2 1 KOREA MX-A3