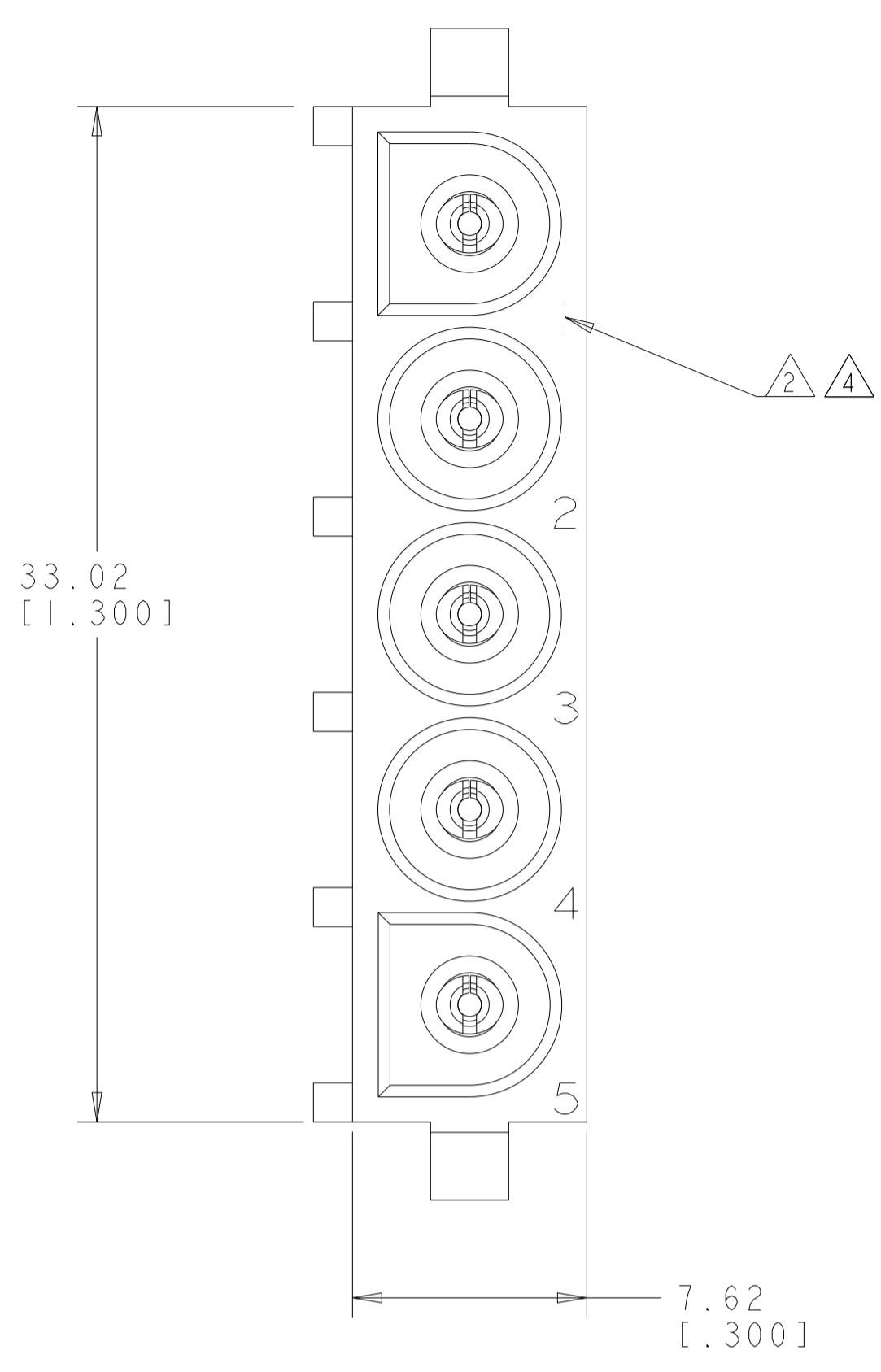
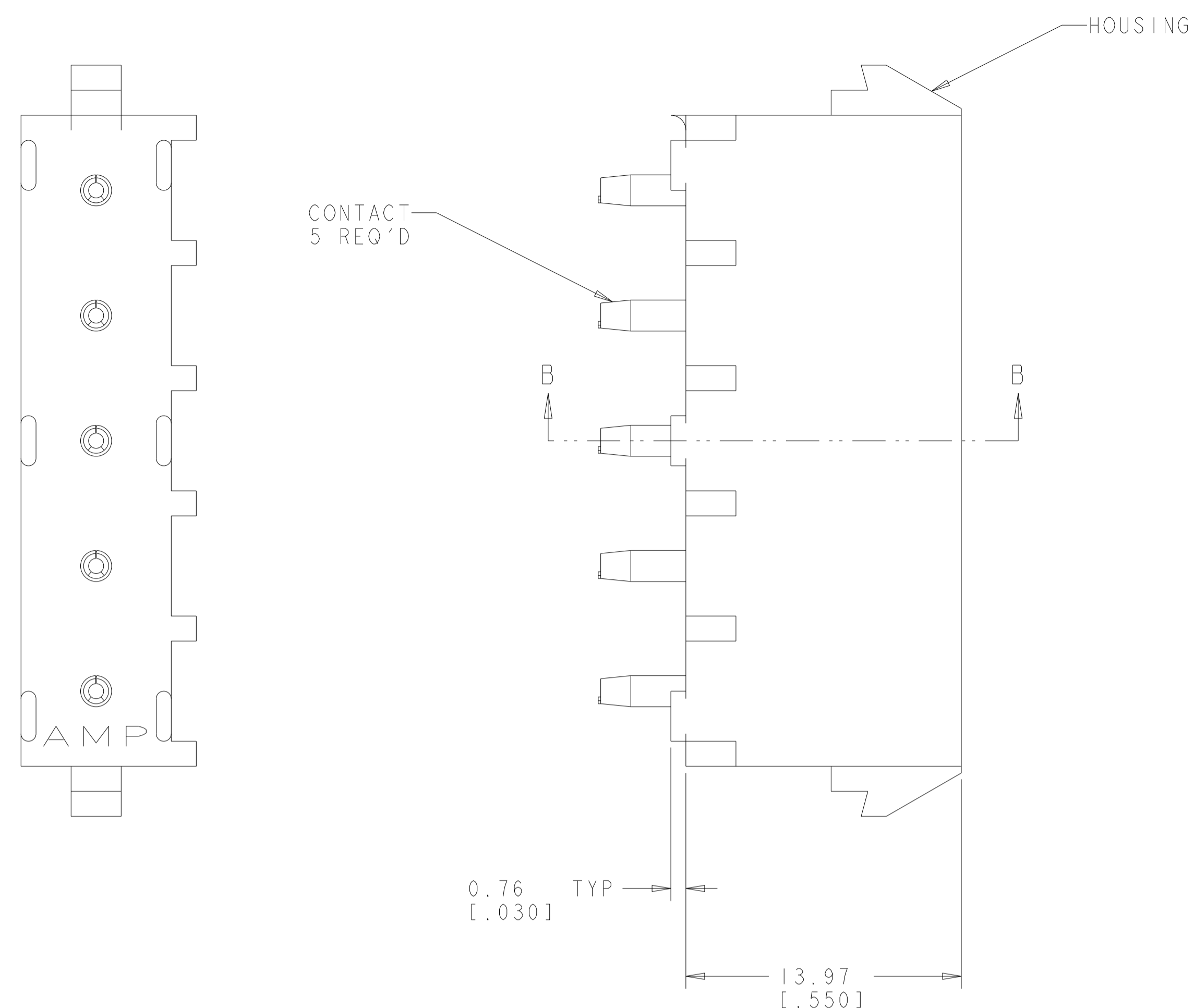
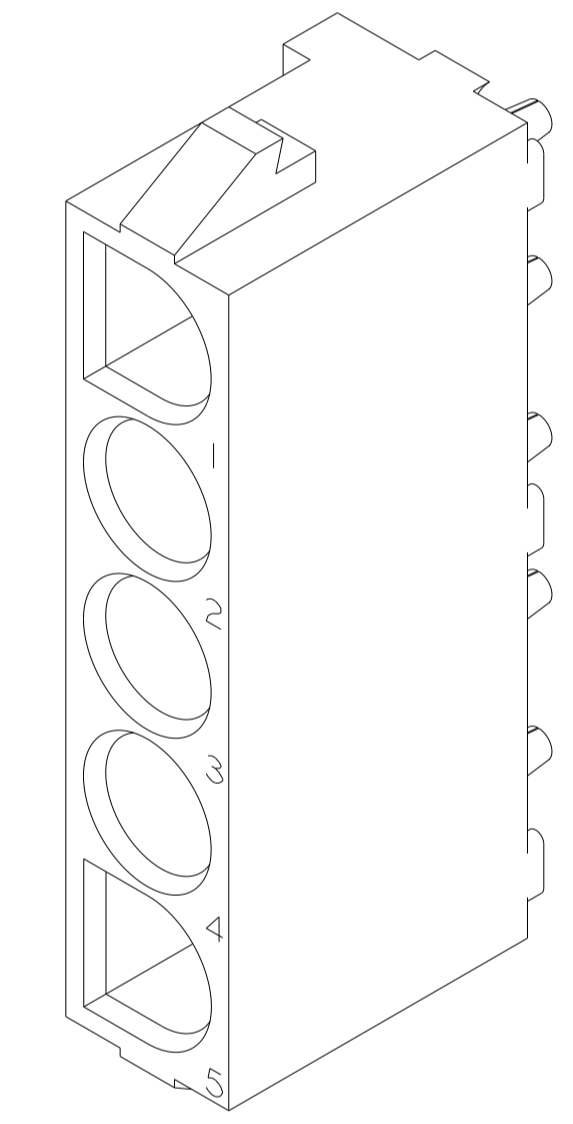


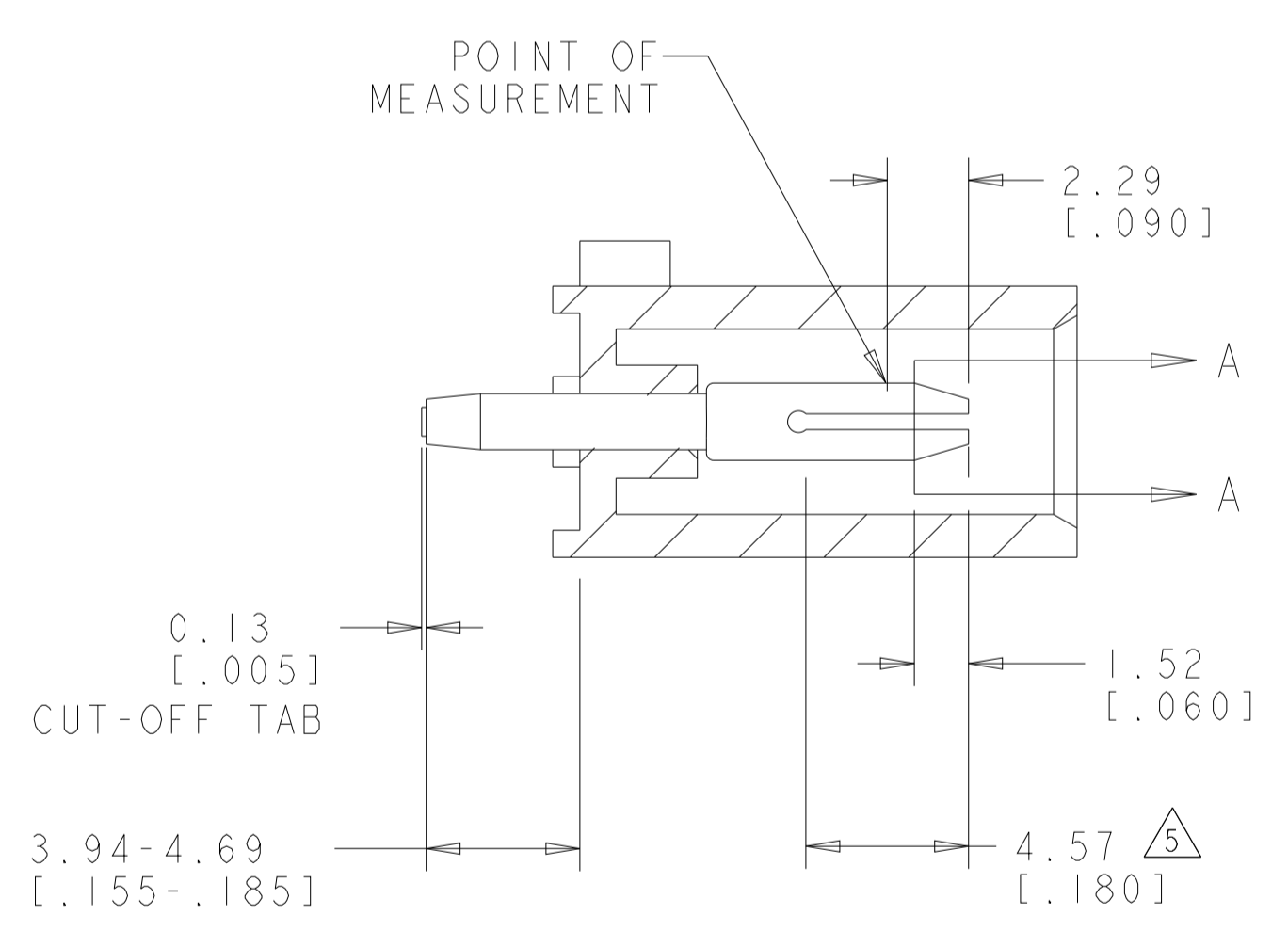
LOC	DIST	REVISIONS					
		P	LTN	DESCRIPTION	DATE	DWN	APVD
		0		REVISED PER 0G38-0087-04	07MAY04	KW	SR
		01		REVISED PER ECO-05-001793	27MAY05	KW	SR
		02		REVISED PER ECO-09-025699	11DEC09	KK	AEG
		A		REVISED PER ECR-21-118133	22OCT2021	SS	VS



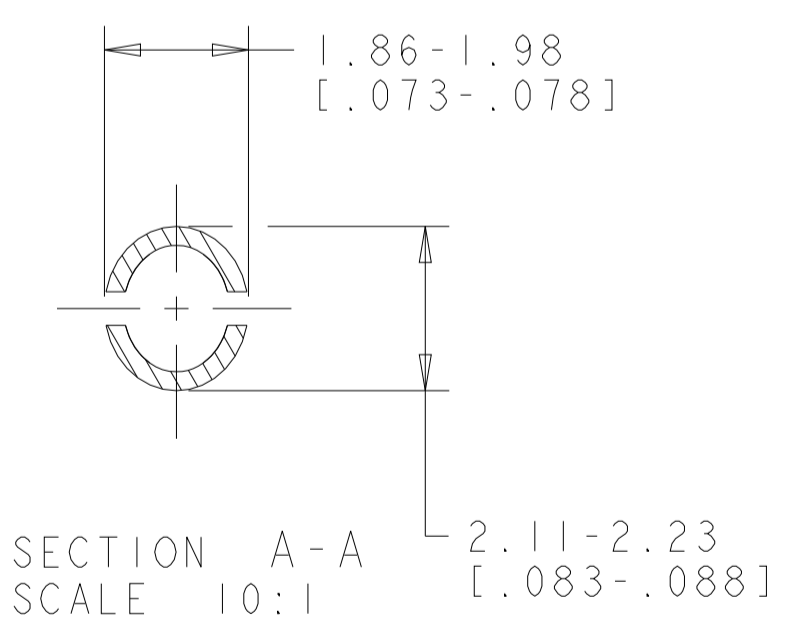
1. PARTS COMPLY TO AMP SOLDERABILITY SPECIFICATION 109-11-3.
2. CIRCUIT IDENTIFICATION CHARACTERS ARE ADJACENT TO THE INDICATED CAVITIES, BUT LOCATION AND ORIENTATION MAY DIFFER FROM PRINT.
3. DIMENSIONS IN BRACKETS ARE IN INCHES.
4. IDENTIFICATION WILL APPEAR AT CIRCUIT NO. 1, OTHERS OPTIONAL.
5. CONTACT IS PLATED WITH 0.00127 [0.00050] NICKEL, THEN 0.000075 [0.00030] GOLD OVER CONTACT LENGTH INDICATED AND MATTE TIN ON SOLDER TAIL END.
6. OBSOLETE PARTS: OBSOLETE CIS STREAMLINING PER D.RENAUD/D.SINISI
7. DIMENSIONS SHOWN REPRESENT PRODUCT IN DRY CONDITION. ADDITIONAL 2% GROWTH DUE TO END USE LOCATION MOISTURE ABSORPTION MAY OCCUR AND SHOULD BE ACCOUNTED FOR.



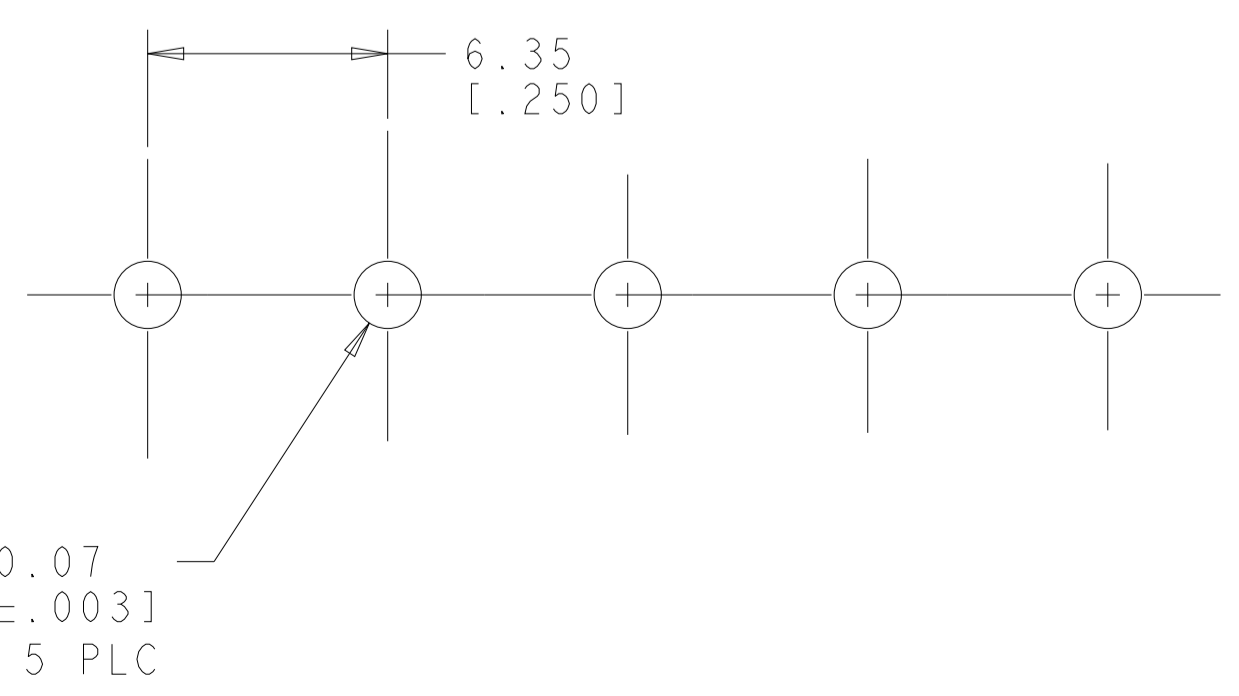
SCALE 4:1



SECTION B-B

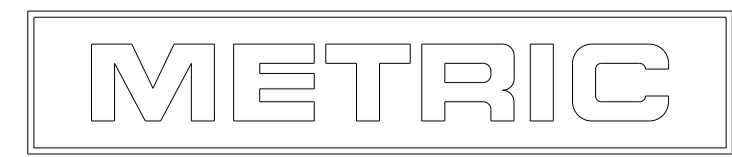


SECTION A-A  
SCALE 10:1



RECOMMENDED MOUNTING HOLE PATTERN FOR 1.57 [0.062] THICK P.C. BOARD

OBSOLETE	PHOSPOR BRONZE, GOLD	NYLON, UL94V-2, NATURAL	1586134-2
	PHOSPOR BRONZE, PRE-TIN	NYLON, UL94V-2, NATURAL	1586134-1
PIN CONTACT MATERIAL AND FINISH		HOUSING MATERIAL AND COLOR	PART NUMBER



DIMENSIONS: mm [INCHES] TOLERANCES UNLESS OTHERWISE SPECIFIED: 0 PLC ± 1 PLC ±0.131 [0.005] 2 PLC ± 3 PLC ± 4 PLC ± ANGLES 40° 30'		DWN K. WHITAKER 07MAY04 CHK S. RIDGILL 07MAY04 APVD S. RIDGILL 07MAY04 PRODUCT SPEC APPLICATION SPEC WEIGHT CUSTOMER DRAWING		Tyco Electronics Corporation Harrisburg, PA 17105-3608 NAME: PIN HEADER ASSEMBLY, 5 CIRCUIT, NO DRAIN HOLES, UNIVERSAL MATE-N-LOK™ SIZE: A1 CAGE CODE: 00779 DRAWING NO: 1586134 SHEET 1 OF 1 REV A	
---	--	--	--	--	--