

THIS DRAWING IS UNPUBLISHED. RELEASED FOR PUBLICATION NOV .2005.  
 © COPYRIGHT 2005 TE Connectivity Ltd. ALL RIGHTS RESERVED.

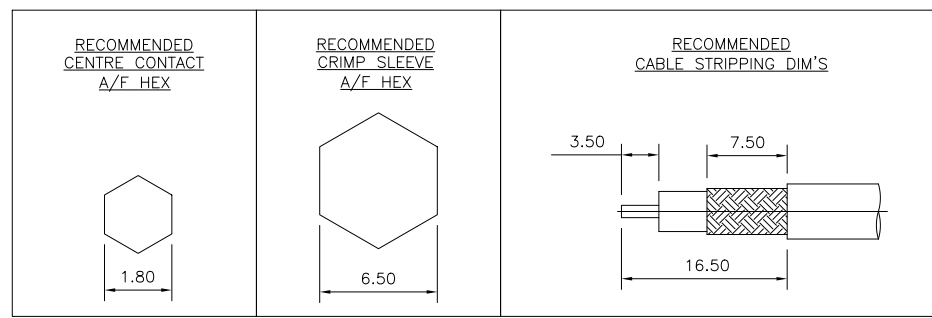
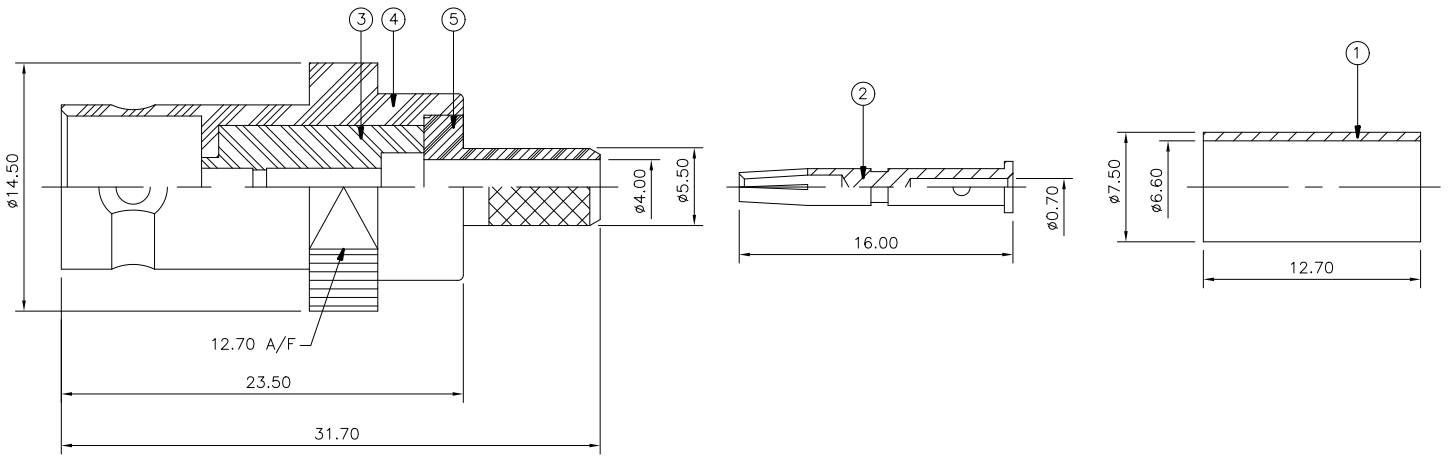
REVISIONS					
P	LTR	DESCRIPTION	DATE	DWN	APVD
	D	REVISED PER ECO-14-011423	19JAN2020	RZ	RS

- NOTES:**
- 1 PACK IN ACCORDANCE WITH AMP SPEC 107-3275
  - 2 100 TRAY PACK IN ACCORDANCE WITH AMP SPEC 107-3275
  - 3 Ag PLATING
  - 4 HAND TOOL : 9-1478240-0
  - 5 DIE SET : 9-1478242-0
  - 6 ELECTRICAL CHARACTERISTICS

FREQUENCY RANGE:	DC - 2 GHz
NOMINAL IMPEDANCE:	75 Ohm
INSULATION RESISTANCE:	5000 MOhm
WORKING VOLTAGE:	500 Volts RMS at Sea Level
DIELECTRIC WITHSTAND VOLTAGE:	1500 Volts RMS Max
CONTACT RESISTANCE:	
CENTRE CONTACT:	1.50 mOhm Max
OUTER CONTACT:	0.20 mOhm Max
VSWR @ 2GHz:	1.20:1 Max
INSERTION LOSS dB @ x 2 GHz:	0.20 Max
  - 7 MECHANICAL CHARACTERISTICS

COUPLING RETENTION FORCE:	N/A
CABLE RETENTION FORCE:	170N Min
DURABILITY:	500 Cycles Min
  - 8 ENVIRONMENTAL CHARACTERISTICS

OPERATING TEMPERATURE:	-65 to +165 DegC
------------------------	------------------



QTY	PER ASSY	MATERIAL	DESCRIPTION	ITEM
1	1	BRASS	CHASSIS	5
1	1	BRASS	BODY	4
1	1	PTFE	INSULATION	3
1	1	BRASS	CONTACT	2
1	1	BRASS	FERRULE	1
6--0	1--0	MATERIAL	DESCRIPTION	ITEM
QUANTITY PER ASSY		PARTS LIST		

THIS DRAWING IS A CONTROLLED DOCUMENT.		DWN J.SANDWELL 24NOV05	<b>STE</b> TE Connectivity	
DIMENSIONS: mm		CHK S.PARLOW 24NOV05		
TOLERANCES UNLESS OTHERWISE SPECIFIED:		APVD F.WHEELER-KING 24NOV05	NAME BNC ST JACK CRIMP 75OHM	
0 PLC ± -		PRODUCT SPEC 108-3435	RG59B/U,62A/U,140/U, 210/U,JRM90, KX6A, KX25, KX52, KX53	
1 PLC ± -		APPLICATION SPEC 411-3247	SIZE A3	RESTRICTED TO -
2 PLC ± -		WEIGHT 0.000000	CAGE CODE 000779	DRAWING NO C=1337444
3 PLC ± -		MATERIAL SEE TABLE	SCALE NTS	SHEET 1 of 1
4 PLC ± -		FINISH -	REV D	
ANGLES ± -		CUSTOMER DRAWING		