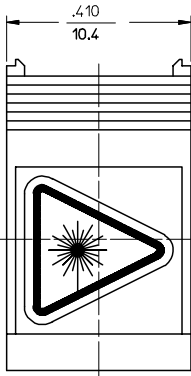
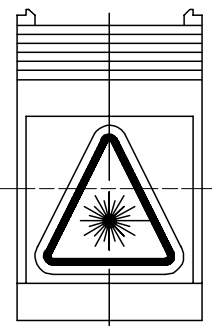


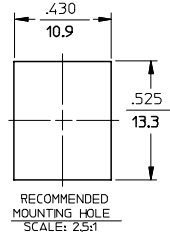
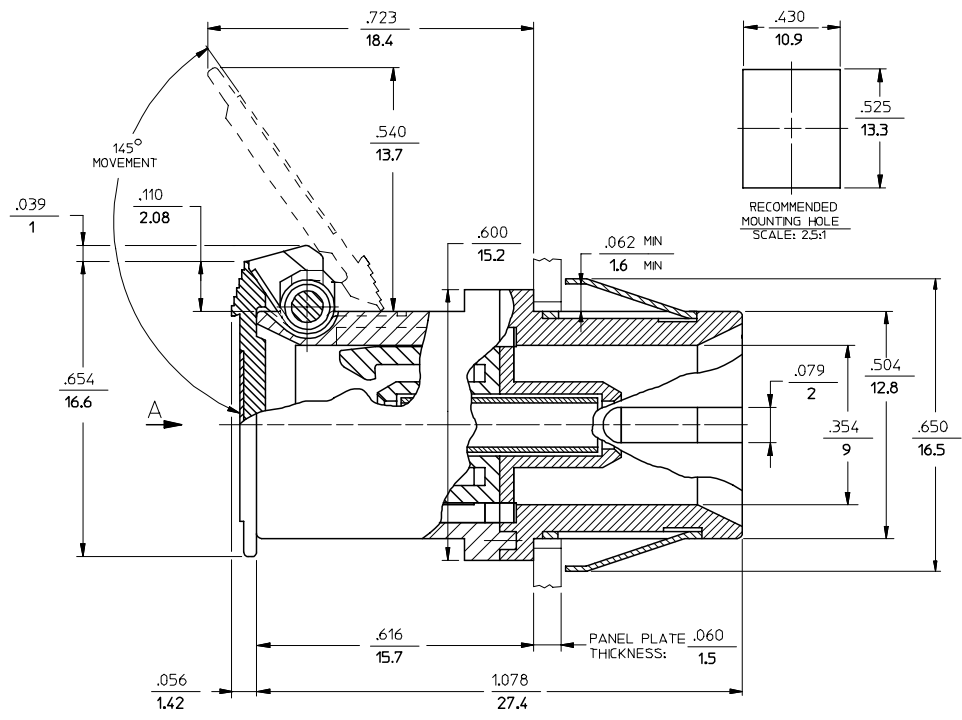
ADAPTER P/N	SPLIT SLEEVE MATERIAL	COLOR OF ADAPTER	DUST CAP COLOR
106170-2400	ZR	BLACK	GRAY
106170-2420		GREEN	
106170-2430		RED	
106171-2400	PHOSPHOR BRONZE	BLACK	GRAY
106171-2420		GREEN	
106171-2430		RED	
106194-1440		BLACK	YELLOW



VIEW A
VERSION 1



VIEW A
VERSION 2



- NOTES:
1. ALL DIMENSIONS ARE GIVEN IN $\frac{\text{INCHES}}{\text{mm}}$
 2. LABEL MUST BE INSTALLED AND ORIENTED BY CUSTOMER. (SEE VIEW A)
 3. DUST CAP NOT SHOWN.

ENTER DESCRIPTION EC NO: MF2007-0207 DRWNR:REV:ZNER 2006/09/22 CHKD: 2006/09/22 APPR: JGUMIN 2006/09/22 REV: A1	QUALITY SYMBOLS	GENERAL TOLERANCES (UNLESS SPECIFIED)		DIMENSION STYLE	SCALE	DESIGN UNITS	THIRD ANGLE PROJECTION	
	$\nabla=0$ $\sphericalangle=0$	mm	INCH	IN/MM	4:1	INCH		
		4 PLACES	±	±	DRAWN BY	DATE		TITLE
		3 PLACES	±	±	CHECKED BY	DATE		BSC- 2 ADAPTER WITH SHUTTER
2 PLACES	±	±	APPROVED BY	DATE	MOLEX INCORPORATED			
1 PLACE	±	±	ANGULAR ±1/2°		MATERIAL NO.	DOCUMENT NO.	SHEET NO.	
DRAFT WHERE APPLICABLE MUST REMAIN WITHIN DIMENSIONS		SEE TABLE		SD-10617Y-24Y0		1 OF 1		
THIS DRAWING CONTAINS INFORMATION THAT IS PROPRIETARY TO MOLEX INCORPORATED AND SHOULD NOT BE USED WITHOUT WRITTEN PERMISSION								