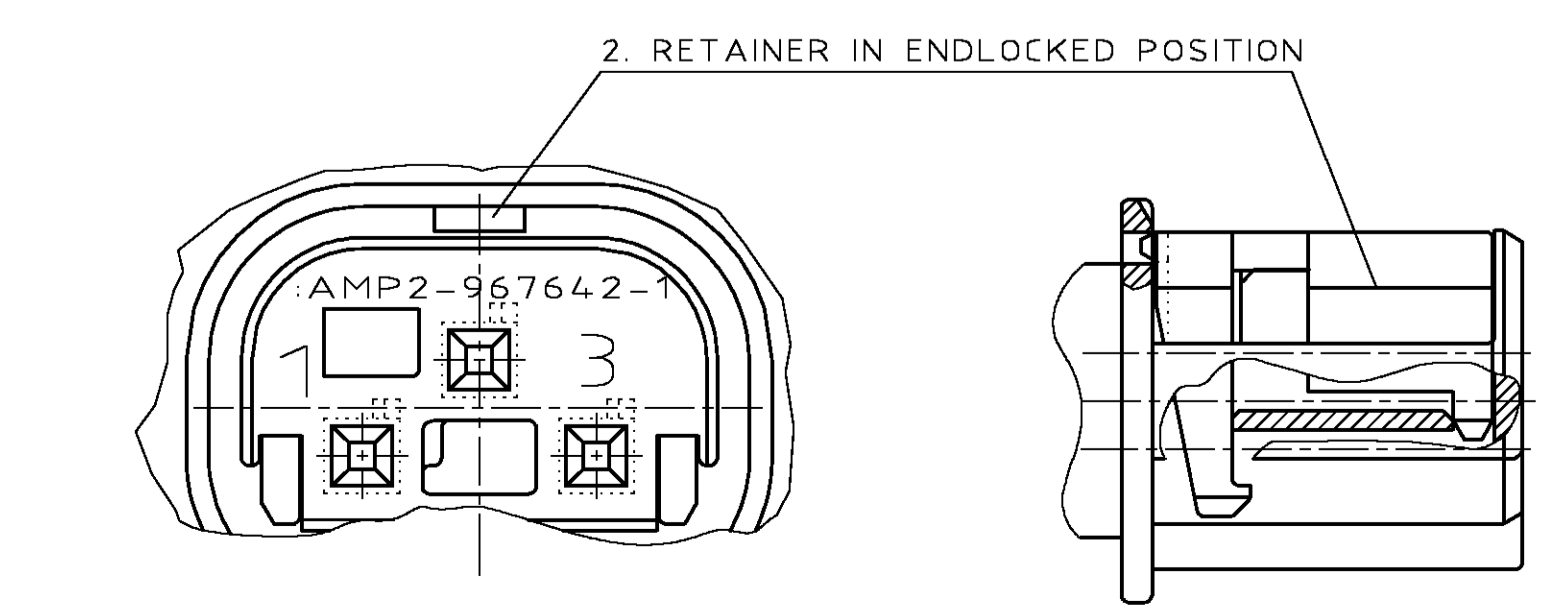
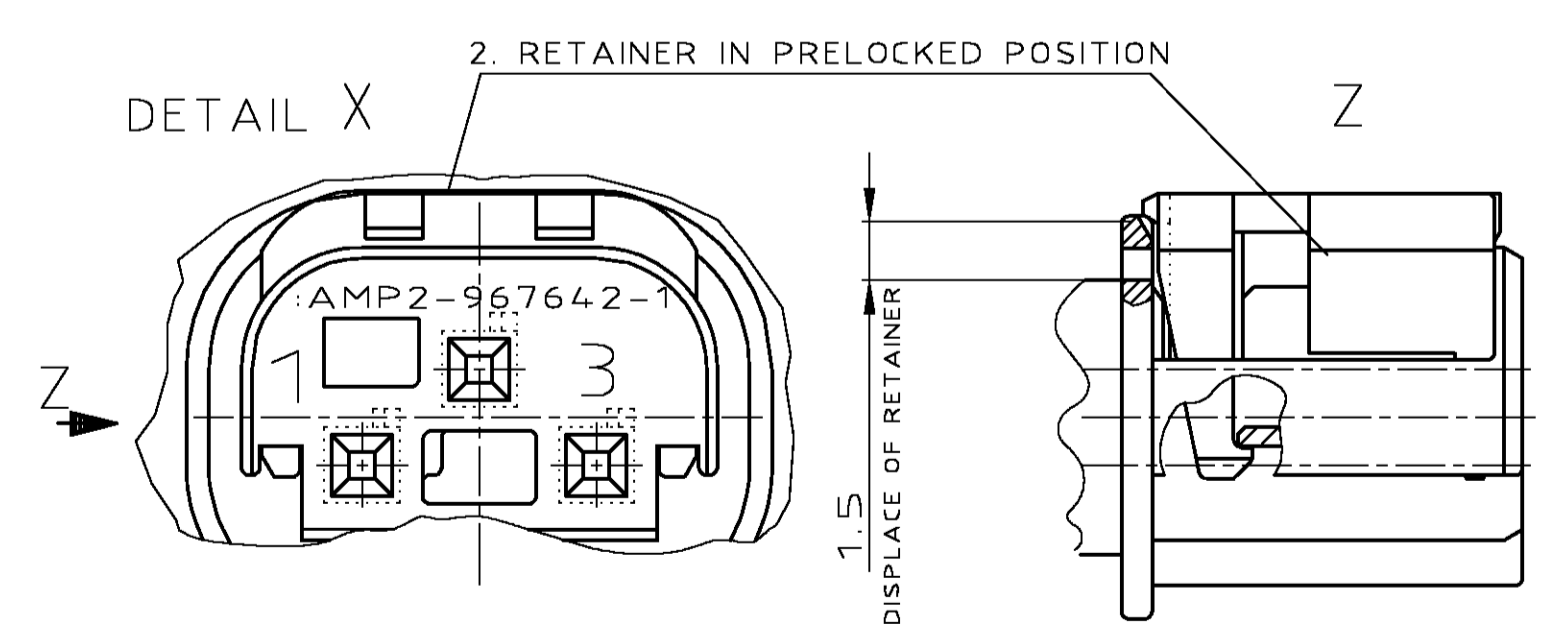
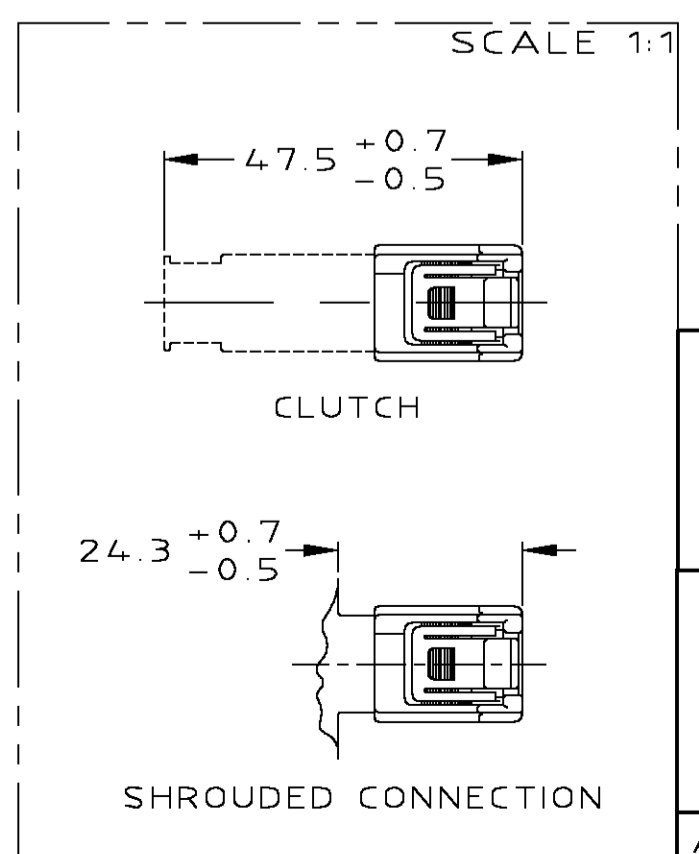


CONDITION ON DELIVERY



- SUITABLE FOR SOCKET CONTACT FOR SINGLE WIRE SEALING : SEE TABLE-1
- SHROUDED CONNECTION DRAWING : 114-18063-13
- SUITABLE FOR WIRE SIZE RANGE : 0.2~0.75mm<sup>2</sup>
- PRODUCT SPECIFICATION 108-18272.
- INSTRUCTION SHEET NO. 114-18061
- WARPAGE -0.5 PERMITTED



AMP PART NO	CODING	ITEM	PART NAME	AMP PART NO.	MATERIAL	COLOR	QUANTITY
1376235-2	B	④	PROTECTIVE COVER, 3 POS.	1376234-1	PBT-GF10	BLACK	1
		③	SEALING	967080-1	SILICON RUBBER	NATURAL	1
		②	RETAINER	968401-1	PBT-GF15	GREEN	1
		①	SOCKET HSG, 3 POS.	2-968403-1	PBT-GF15	GRAY	1
1376235-1	A	④	PROTECTIVE COVER, 3 POS.	1376234-1	PBT-GF10	BLACK	1
		③	SEALING	967080-1	SILICON RUBBER	NATURAL	1
		②	RETAINER	968401-1	PBT-GF15	GREEN	1
		①	SOCKET HSG, 3 POS.	1-968403-1	PBT-GF15	BLACK	1

THIS DRAWING IS A CONTROLLED DOCUMENT.  
 DIMENSIONS: MM  
 TOLERANCES UNLESS OTHERWISE SPECIFIED:  
 0-PLC ±0.1  
 1-PLC ±0.1  
 2-PLC ±0.1  
 3-PLC ±0.1  
 4-PLC ±0.1  
 ANGLES ±0.5  
 FINISH SEE TABLE

TABLE-1

FINISH	APPLICABLE RECEPTACLE AMP P/N	APPLICABLE WIRE RANGE (mm <sup>2</sup> )	SINGLE WIRE SEALING
Sn	962885-1	0.2	967067-2
Au	962885-5	0.35	967067-1
Sn	965906-1	0.5	
Au	965906-5	0.75	

AMP Tyco Electronics AMP K.K. Kawasaki, Japan  
 MGS SOCKET HOUSING 3POS ASSY  
 AMP PART NO: 1376235  
 WEIGHT: 3.8 g  
 SCALE: 5:1 SHEET 1 OF 1