

PMT Panel Mount Power Supply

12 V 50 W 1 Phase / PMT-12V50W1A□

PMT

Highlights & Features

- Universal AC input voltage range
- Power will not de-rate from input voltage 90 Vac to 264 Vac
- High MTBF > 700,000 hrs per Telcordia SR-332
- Short Circuit / Overvoltage / Overload / Over Temperature Protections
- Versatile connector options (Terminal Block, Front Face, Harness)

Safety Standards



CB Certified for worldwide use



| | |
|--------------------------------|--|
| Model Number: | PMT-12V50W1A□ |
| Unit Weight: | 0.23 kg (0.51 lb) |
| Dimensions (L x W x H): | 98 x 98 x 38 mm (3.86 x 3.86 x 1.50 inch) |

General Description

The new PMT series of panel mount power supplies is the latest offering from one of the world's largest power supply manufacturers and solution providers - Delta. The first range of PMT products will offer a nominal output voltage of 12V with a wide operating temperature range from -10°C to +70°C and can withstand shock and vibration requirements (in accordance to IEC 60068-2-27 and IEC 60068-2-6 respectively). In addition to features like overvoltage and overload protections, Delta's PMT series of panel mount power supplies is unlike many other brands in the same price level. The PMT series is designed for cost competitive markets without compromising the quality of the components and product specifications. The series of products has an expected life time of 10 years and will have no output power de-rating from 90 Vac to 264 Vac. This versatile series has three different connector options (Terminal Block, Front Face and Harness) and can also be converted into L Frame (PML) or Open Frame (PMB) type of power supplies to satisfy different application needs.

Model Information

PMT Panel Mount Power Supply

| Model Number | Input Voltage Range | Rated Output Voltage | Rated Output Current |
|---------------|---------------------|----------------------|----------------------|
| PMT-12V50W1A□ | 90-264 Vac | 12 Vdc | 4.17 A |

Model Numbering

| | | | | | | | CC Code** |
|-------------|---|----------------|--------------|--------------|----------|---|----------------------------|
| PM | □ - | 12V | 50W | 1 | A | □ | □ |
| Panel Mount | Product Type T – Enclosed L – L Frame* B – Open Frame* | Output Voltage | Output Power | Single Phase | No PFC | Connector Type A – Terminal Block G – Front Face* H – Harness* | B – With conformal coating |

*Options

**For Enclosed type with Terminal Block



PMT Panel Mount Power Supply

12 V 50 W 1 Phase / PMT-12V50W1A□

Specifications

Input Ratings / Characteristics

| | |
|---------------------------------|--|
| Nominal Input Voltage | 100-240 Vac |
| Input Voltage Range | 90-264 Vac |
| Nominal Input Frequency | 50-60 Hz |
| Input Frequency Range | 47-63 Hz |
| Input Current | < 1.10 A @ 115 Vac, < 0.70 A @ 230 Vac |
| Efficiency at 100% Load | > 83.0% @ 115 Vac & 230 Vac |
| Max Inrush Current (Cold Start) | < 30 A @ 115 Vac, < 65 A @ 230 Vac |
| Leakage Current | < 1 mA @ 240 Vac |

Output Ratings / Characteristics*

| | |
|---|--|
| Nominal Output Voltage | 12 Vdc |
| Factory Set Point Tolerance | 12 Vdc \pm 2% |
| Output Voltage Adjustment Range | 11-14 Vdc |
| Output Current | 4.17 A (50 W max.) |
| Output Power | 50 W |
| Line Regulation | < 0.5% typ. (@ 85-264 Vac input, 100% load) |
| Load Regulation | < 1% typ. (@ 85-264 Vac input, 0-100% load) |
| PARD** (20MHz) | < 100 mVpp @ 0°C to 50°C, < 150 mVpp @ -10°C to 0°C |
| Rise Time | < 30 ms @ nominal input (100% load) |
| Start-up Time | < 2500 ms @ nominal input (100% load) |
| Hold-up Time | > 16.7 ms @ 115 Vac (100% load) |
| Dynamic Response (Overshoot & Undershoot O/P Voltage) | \pm 5% @ 0-100% load (Slew Rate: 0.1 A/ μ S) |
| Start-up with Capacitive Loads | 8,000 μ F Max |

*For power de-rating from 50°C to 70°C, see power de-rating on page 3.

**PARD is measured with an AC coupling mode, 5cm wires, and in parallel with 0.1 μ F ceramic capacitor & 47 μ F electrolytic capacitor.

PMT Panel Mount Power Supply

12 V 50 W 1 Phase / PMT-12V50W1A□

Mechanical

| | | |
|-----------------------------------|---|---|
| Case Chassis / Cover | Aluminium / SGCC | |
| Dimensions (L x W x H) | 98 x 98 x 38 mm (3.86 x 3.86 x 1.50 inch) | |
| Unit Weight | 0.23 kg (0.51 lb) | |
| Indicator | Green LED (DC OK) | |
| Cooling System | Convection | |
| Terminal | PM□-12V50W1AA□ | M3.5 x 5 Pins (Rated 300 V / 15 A) |
| | PM□-12V50W1AG□ | M3.5 x 5 Pins (Rated 300 V / 20 A) |
| | PM□-12V50W1AH□ | I/P (JST): B3P5-VH(LF)(SN) O/P (JST): B2P3-VH(LF)(SN) |
| Wire | PM□-12V50W1AA□ | AWG 22-12 |
| | PM□-12V50W1AG□ | AWG 22-12 |
| | PM□-12V50W1AH□ | AWG 22-18 (For the recommended Mating Connector and Terminal, please refer to the Table on Page 12) |
| Noise (1 Meter from power supply) | Sound Pressure Level (SPL) < 25 dBA | |

Environment

| | | |
|-----------------------------|-----------------------------------|--|
| Surrounding Air Temperature | Operating | -10°C to +70°C |
| | Storage | -25°C to +85°C |
| Power De-rating | > 50°C de-rate power by 2.5% / °C | |
| Operating Humidity | 5 to 95% RH (Non-Condensing) | |
| Operating Altitude | 0 to 5,000 Meters (16,400 ft.) | |
| Shock Test | Non-Operating | IEC 60068-2-27, Half Sine Wave: 50 G for a duration of 11 ms, 3 shocks for each 3 directions |
| Vibration | Non-Operating | IEC 60068-2-6, Random: 5 Hz to 500 Hz (2.09 Grms); 20 min per axis for all X, Y, Z direction |
| Over Voltage Category | II | |
| Pollution Degree | 2 | |

Protections

| | |
|--------------------------|--|
| Overvoltage | 16 V, +10% / -5%, SELV Output, Hiccup Mode, Non-Latching (Auto-Recovery) |
| Overload / Overcurrent | > 120% of rated load current, Hiccup Mode, Non-Latching (Auto-Recovery) |
| Over Temperature | Non-Latching (Auto-Recovery) |
| Short Circuit | Hiccup Mode, Non-Latching (Auto-Recovery when the fault is removed) |
| Internal Fuse at L pin | T3.15 AH |
| Protection Against Shock | Class I with PE* connection |

*PE: Primary Earth

PMT Panel Mount Power Supply

12 V 50 W 1 Phase / PMT-12V50W1A□

Reliability Data

| | |
|------------------------|--|
| MTBF | > 700,000 hrs as per Telcordia SR-332 I/P: 100 Vac, O/P: 100% Load, Ta: 35°C) |
| Expected Cap Life Time | 10 years (115 Vac & 230 Vac, 50% load @ 40°C) |

Safety Standards / Directives

| | | |
|--------------------------|---------------------------------|--|
| Safety Entry Low Voltage | | SELV |
| Electrical Safety | TUV Bauart UL/cUL recognized | EN 60950-1, EN 62368-1 UL 60950-1 and CSA C22.2 No. 60950-1 (File No. E131881) UL 62368-1 and CSA C22.2 No. 62368-1 (File No. E131881) |
| | CB Scheme | IEC 60950-1, IEC 62368-1 |
| CE | | In conformance with EMC Directive 2014/30/EU and Low Voltage Directive 2014/35/EU |
| UKCA | | In conformance with Electromagnetic Compatibility Regulations 2016 and Electrical Equipment (Safety) Regulations 2016 |
| Galvanic Isolation | Input to Output | 3.0 KVac |
| | Input to Ground | 1.5 KVac |
| | Output to Ground | 0.5 KVac |

EMC

| | | |
|-----------------------------------|----------------|--|
| Emissions (CE & RE) | | CISPR 32, EN/BS EN 55032, FCC Title 47: Class B |
| Immunity | | EN/BS EN 55024 |
| Electrostatic Discharge | IEC 61000-4-2 | Level 4 Criteria A ¹⁾ Air Discharge: 15 kV Contact Discharge: 8 kV |
| Radiated Field | IEC 61000-4-3 | Level 3 Criteria A ¹⁾ 80 MHz-1 GHz, 10 V/M with 1 kHz tone / 80% modulation |
| Electrical Fast Transient / Burst | IEC 61000-4-4 | Level 3 Criteria A ¹⁾ 2 kV |
| Surge | IEC 61000-4-5 | Level 3 Criteria A ¹⁾ Common Mode ²⁾ : 2 kV Differential Mode ³⁾ : 1 kV |
| Conducted | IEC 61000-4-6 | Level 3 Criteria A ¹⁾ 150 kHz-80 MHz, 10 Vrms |
| Power Frequency Magnetic Fields | IEC 61000-4-8 | Criteria A ¹⁾ 10 A/Meter |
| Voltage Dips and Interruptions | IEC 61000-4-11 | 100% dip; 1 cycle (20 ms); Self Recoverable |
| Low Energy Pulse Test (Ring Wave) | IEC 61000-4-12 | Level 3 Criteria A ¹⁾ Common Mode ²⁾ : 2 kV Differential Mode ³⁾ : 1 kV |

1) Criteria A: Normal performance within the specification limits

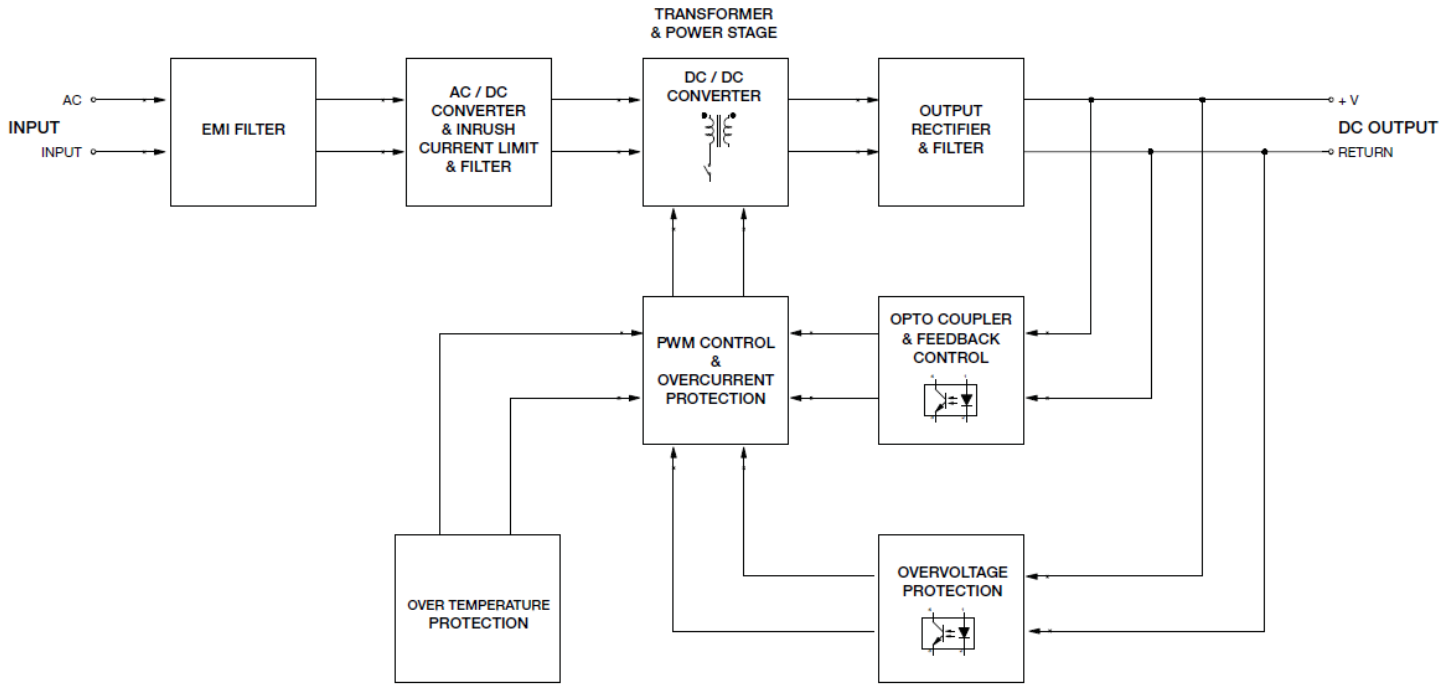
2) Asymmetrical: Common mode (Line to earth)

3) Symmetrical: Differential mode (Line to line)

PMT Panel Mount Power Supply

12 V 50 W 1 Phase / PMT-12V50W1A□

Block Diagram



Device Descriptions

| PMT-12V50W1AA□: Terminal Block | PMT-12V50W1AG: Front Face | PMT-12V50W1AH: Harness |
|--------------------------------|---------------------------|------------------------|
| | | |

- 1) Input & Output terminal block connector
- 2) DC voltage adjustment potentiometer
- 3) DC OK control LED (Green)

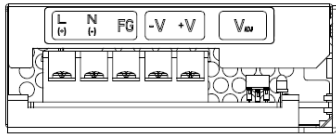
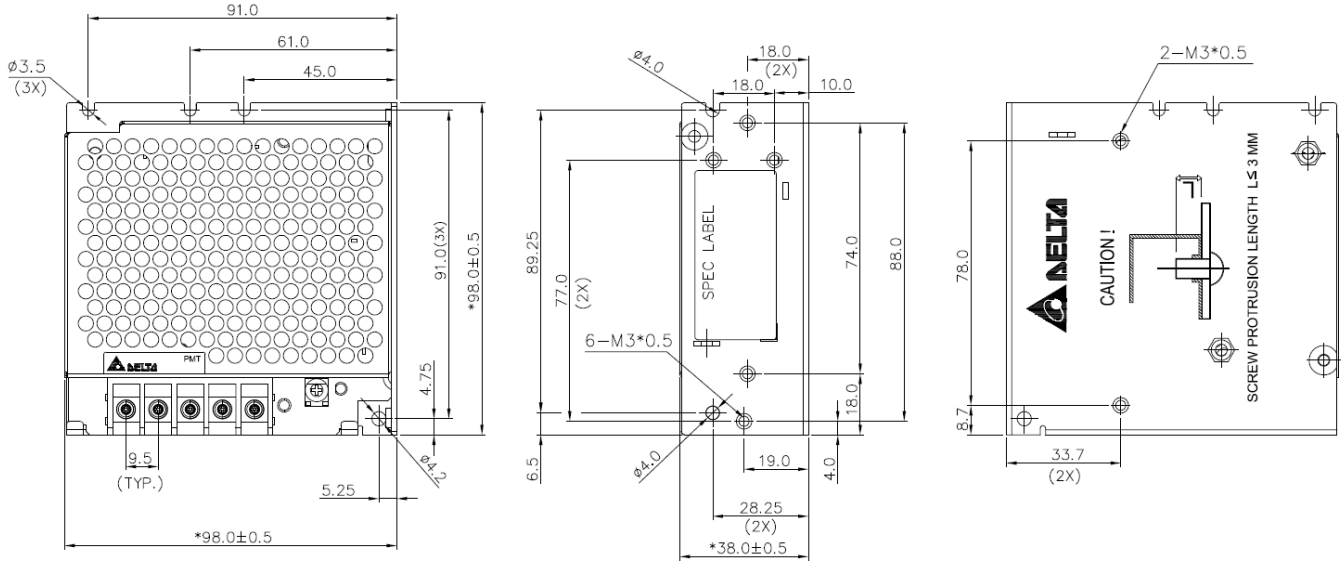
PMT Panel Mount Power Supply

12 V 50 W 1 Phase / PMT-12V50W1A□

Dimensions

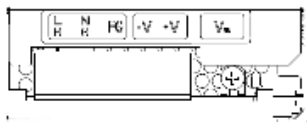
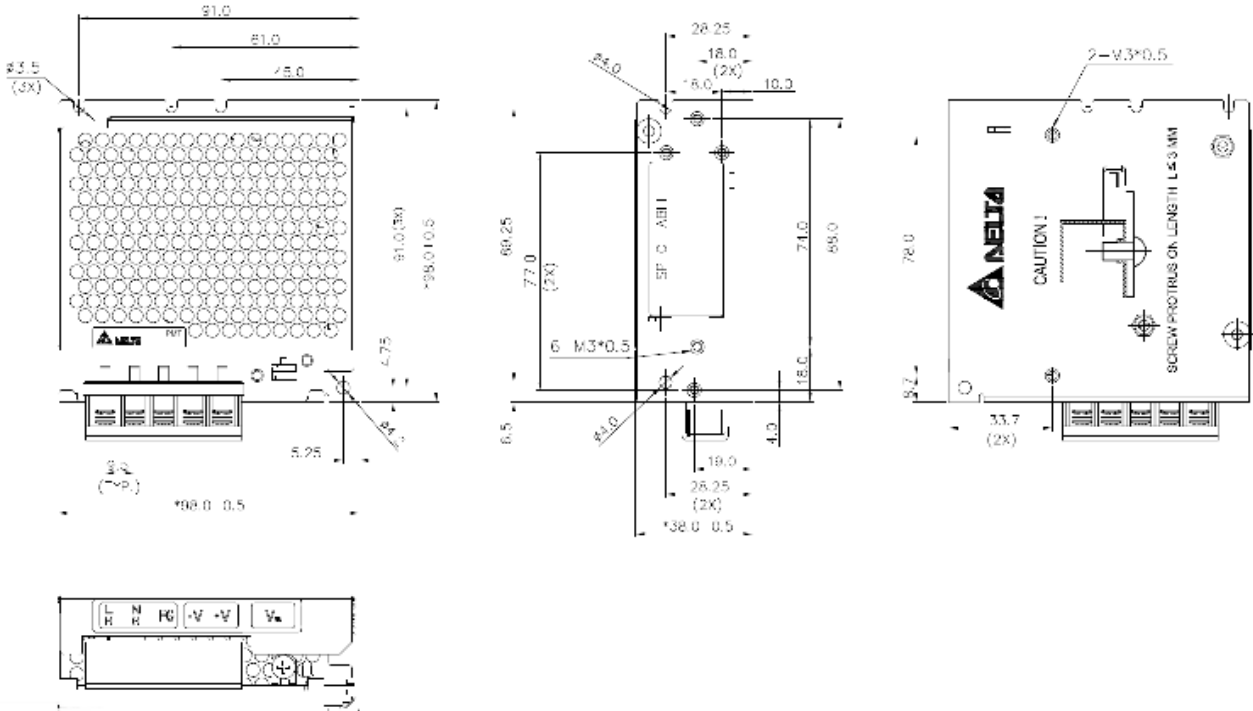
PMT-12V50W1A□: Terminal Block

L x W x H: 98 x 98 x 38 mm (3.86 x 3.86 x 1.50 inch)



PMT-12V50W1AG: Front Face

L x W x H: 98 x 98 x 38 mm (3.86 x 3.86 x 1.50 inch)

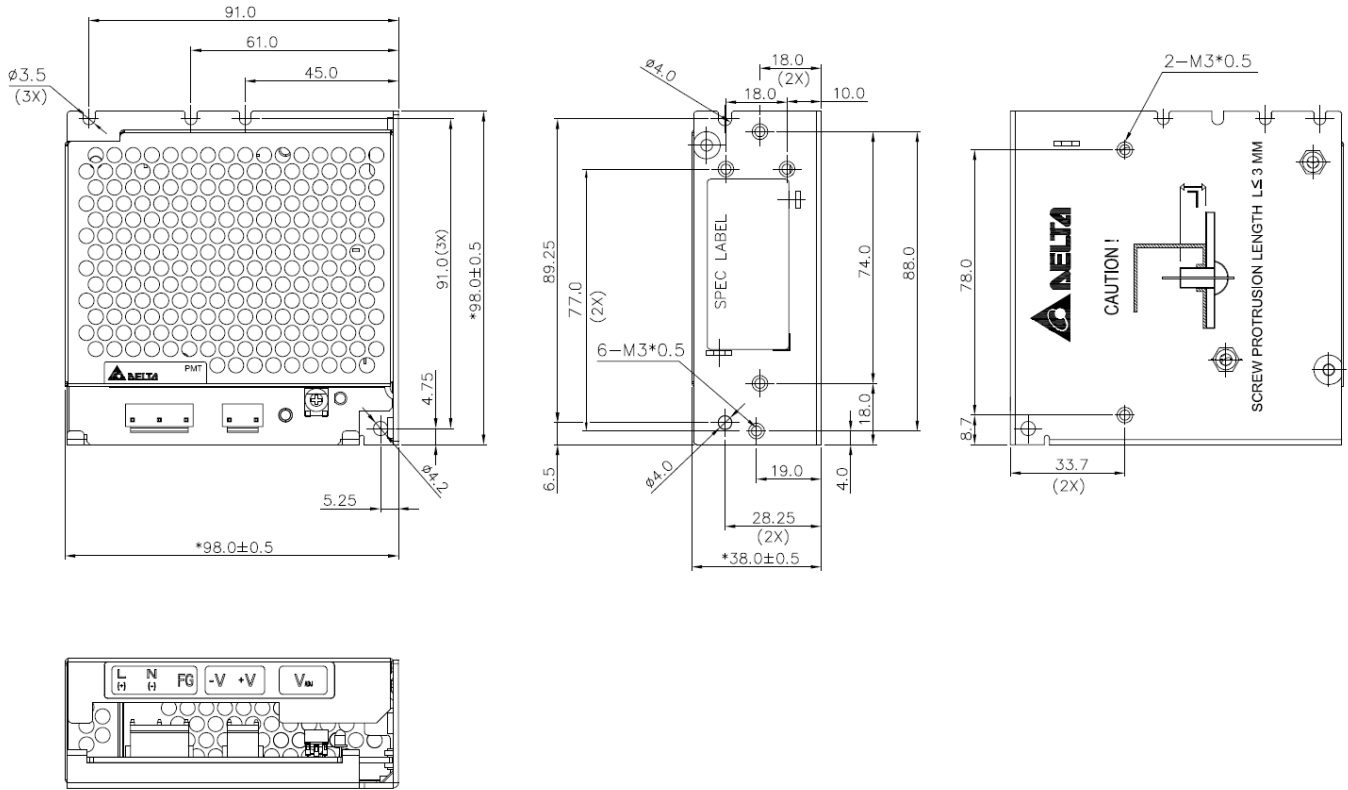


PMT Panel Mount Power Supply

12 V 50 W 1 Phase / PMT-12V50W1A□

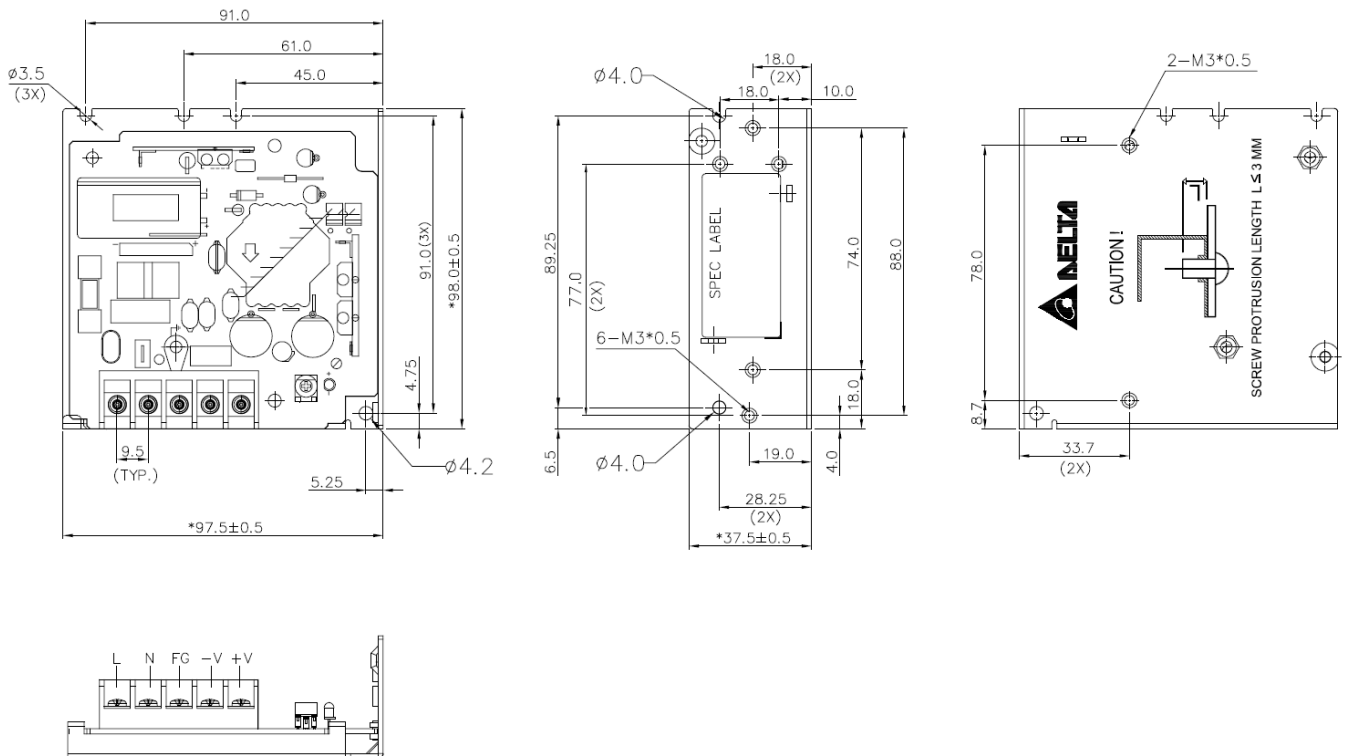
PMT-12V50W1AH: Harness

L x W x H: 98 x 98 x 38 mm (3.86 x 3.86 x 1.50 inch)



PML-12V50W1AA: Terminal Block

L x W x H: 97.5 x 98 x 37.5 mm (3.84 x 3.86 x 1.48 inch)

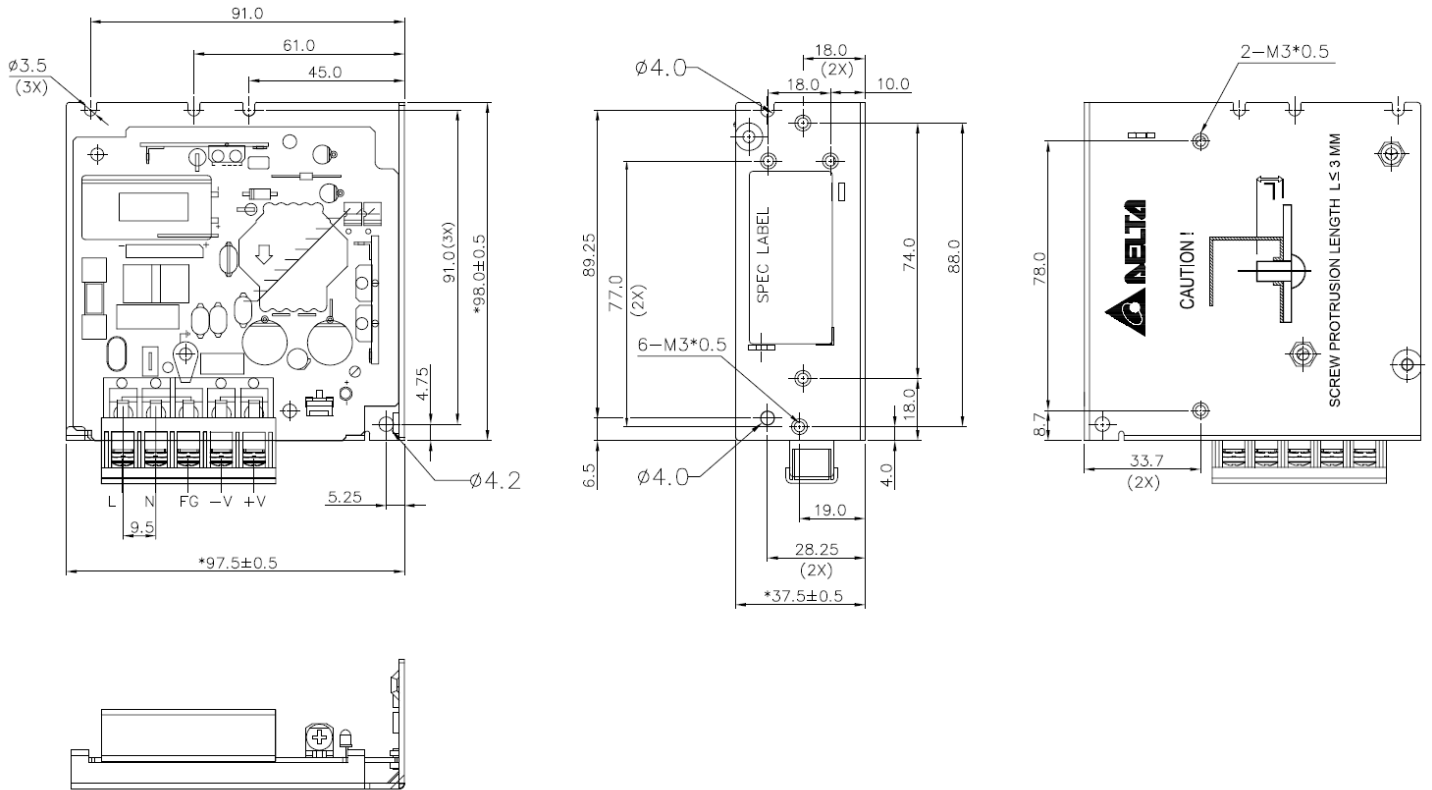


PMT Panel Mount Power Supply

12 V 50 W 1 Phase / PMT-12V50W1A□

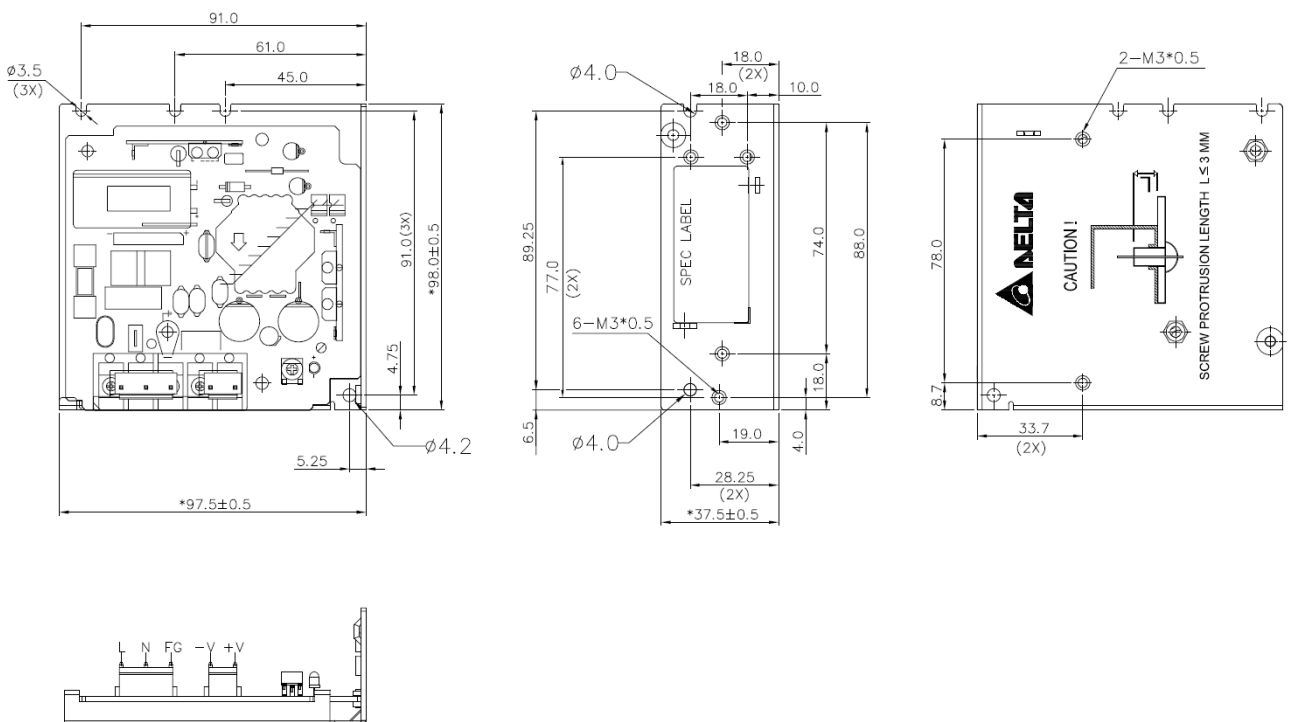
PML-12V50W1AG: Front Face

L x W x H: 97.5 x 98 x 37.5 mm (3.84 x 3.86 x 1.48 inch)



PML-12V50W1AH: Harness

L x W x H: 97.5 x 98 x 37.5 mm (3.84 x 3.86 x 1.48 inch)

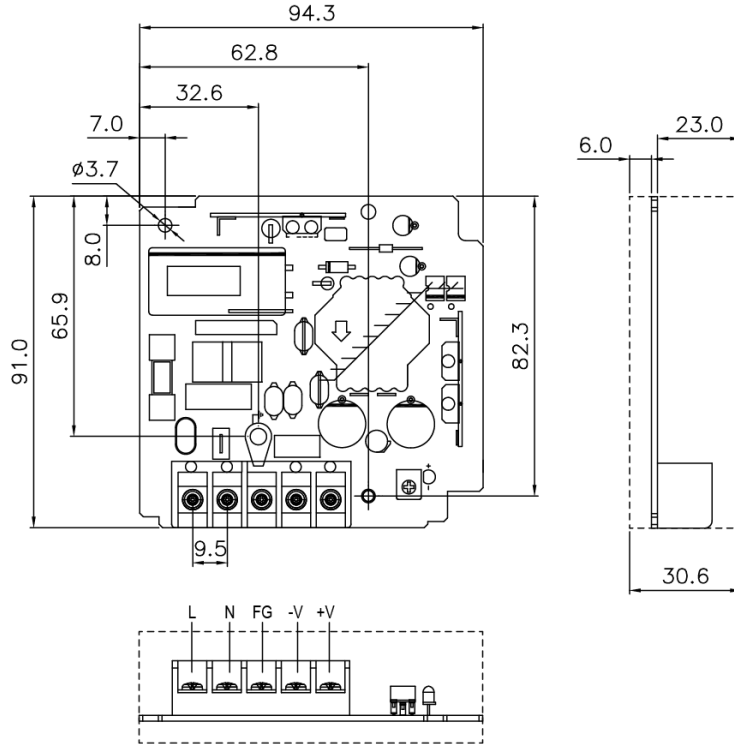


PMT Panel Mount Power Supply

12 V 50 W 1 Phase / PMT-12V50W1A□

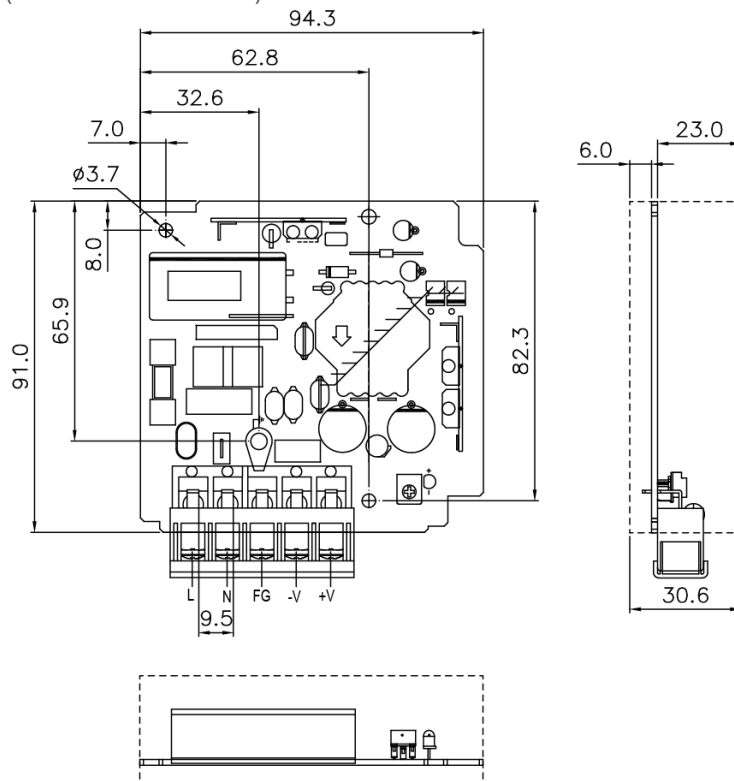
PMB-12V50W1AA: Terminal Block

L x W x H: 91 x 94.3 x 30.6 mm (3.58 x 3.71 x 1.20 inch)



PMB-12V50W1AG: Front Face

L x W x H: 91 x 94.3 x 30.6 mm (3.58 x 3.71 x 1.20 inch)

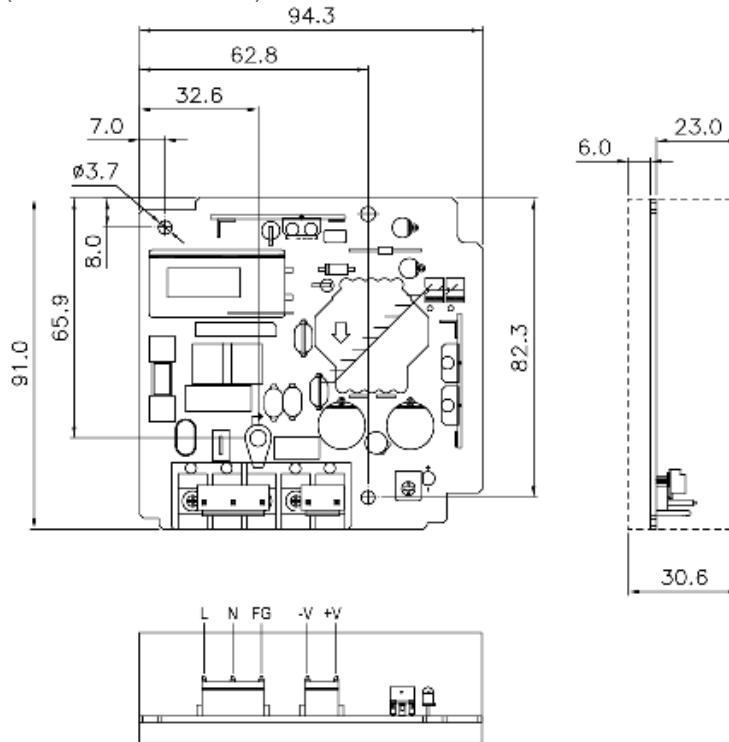


PMT Panel Mount Power Supply

12 V 50 W 1 Phase / PMT-12V50W1A□

PMB-12V50W1AH: Harness

L x W x H: 91 x 94.3 x 30.6 mm (3.58 x 3.71 x 1.20 inch)



PMT Panel Mount Power Supply

12 V 50 W 1 Phase / PMT-12V50W1A□

Engineering Data

Output Load De-rating VS Surrounding Air Temperature

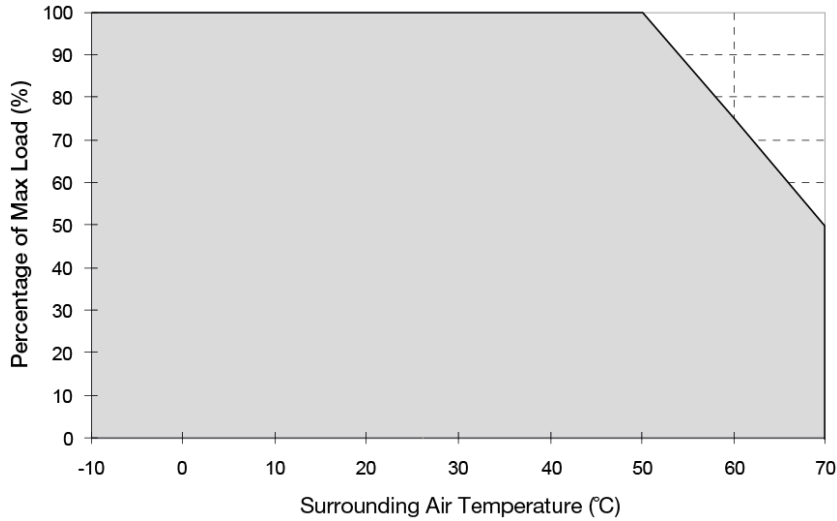
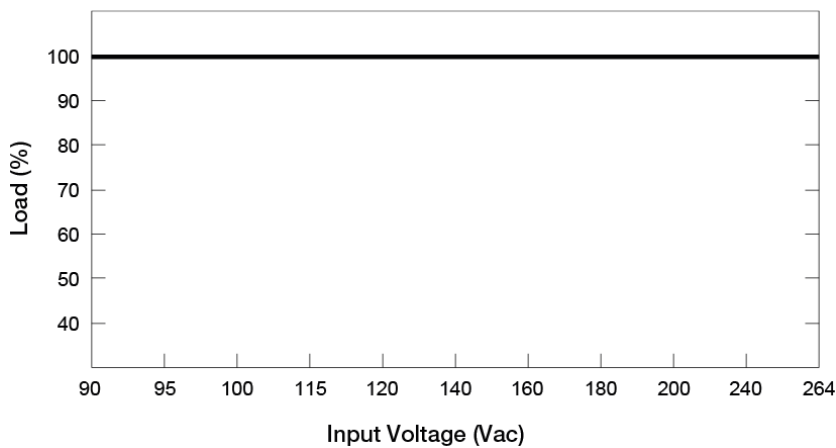


Fig. 1 De-rating for Vertical and Horizontal Mounting Orientation
 > 50°C de-rate power by 2.5% / °C

Note

1. Power supply components may degrade, or be damaged, when the power supply is continuously used outside the shaded region, refer to the graph shown in Fig. 1.
2. If the output capacity is not reduced when the surrounding air temperature exceeds its specification as defined on Page 3 under "Environment", the device will run into Over Temperature Protection. When activated, the output voltage will go into bouncing mode and will recover when the surrounding air temperature is lowered or the load is reduced as far as necessary to keep the device in working condition.
3. In order for the device to function in the manner intended, it is also necessary to keep a safety distance of 20mm (0.79 inch) with adjacent units while the device is in operation.
4. Depending on the surrounding air temperature and output load delivered by the power supply, the device can be very hot!
5. If the device has to be mounted in any other orientation, please contact info@deltapsu.com for more details.

Output Load De-rating VS Input Voltage



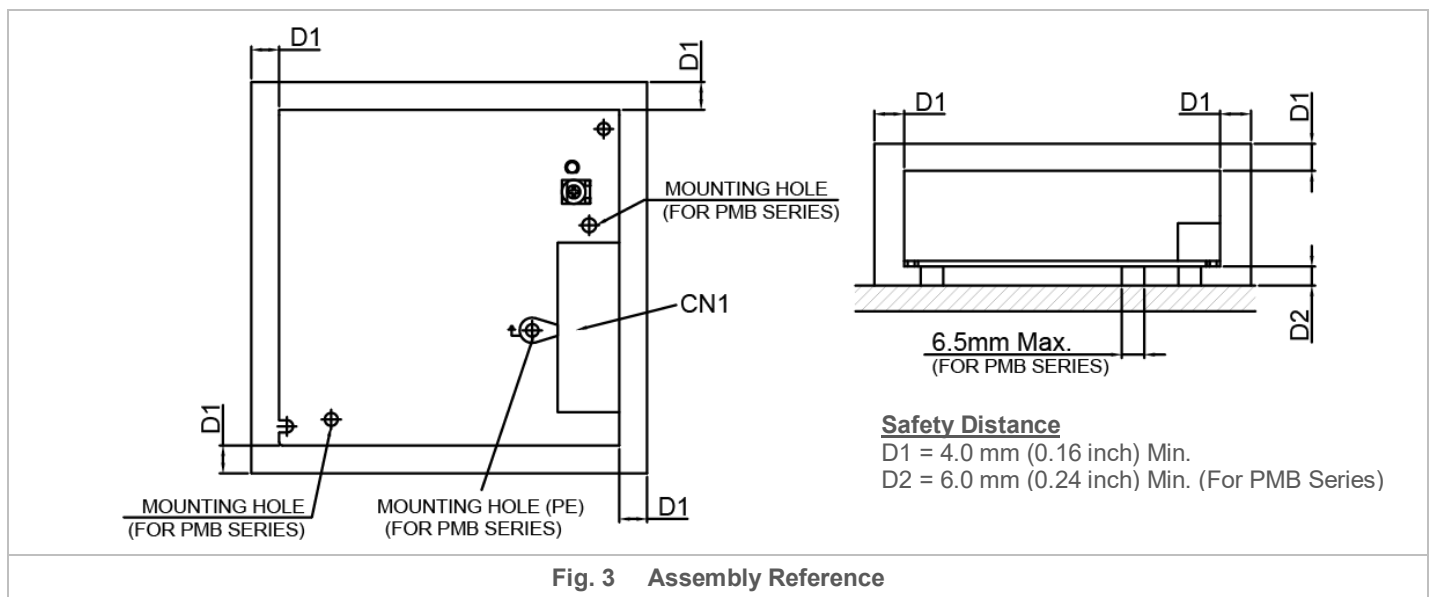
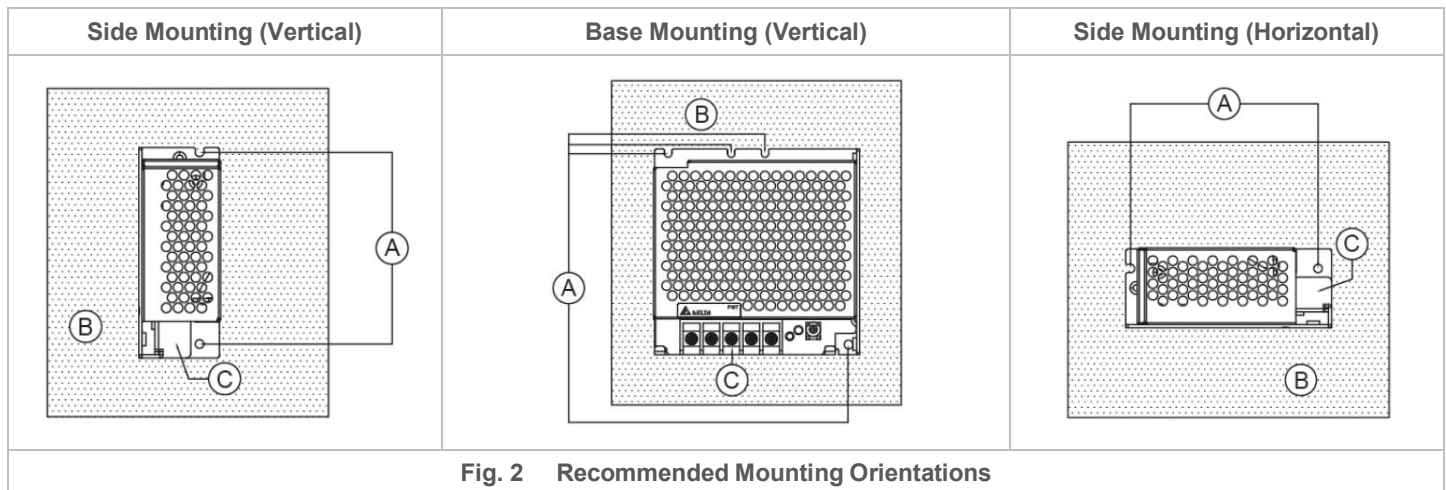
- No output power de-rating for the input voltage from 90 Vac to 264 Vac

PMT Panel Mount Power Supply

12 V 50 W 1 Phase / PMT-12V50W1A□

Assembly & Installation

- Ⓐ Mounting holes for power supply (device). The power supply shall be mounted on minimum 2 mounting holes using M3 screw minimum 5 mm (0.20 inch) length.
- Ⓑ This surface belongs to customer's end system or panel where the power supply is mounted.
- Ⓒ Connector



Ensure the mounted device is kept at ≥ 4 mm (0.16 inch) safety distance at all sides from other components and equipments. In addition, to ensure sufficient convection cooling, always maintain a distance of ≥ 20 mm (0.79 inch) from ventilated surfaces while the device is in operation.

- **PM□-12V50W1AA□ / PM□-12V50W1AG:** Use flexible cable (stranded or solid) of AWG No. 22-12. User should calculate and select the suitable wire specification (type/quantity/diameter) according to actual output current. The torque at the Connector shall not exceed 13 Kgf.cm (11.23 lbf.in). The insulation stripping length should not exceed 0.275" or 7 mm.
- **PM□-12V50W1AH:** Please refer the table below for the recommended mating connector, terminal and AWG wire size.

| | Header (Board Mounting) | Mating Connector | Terminal | AWG |
|--------------|-------------------------|------------------|--------------|-------|
| Input (JST) | B3P5-VH(LF)(SN) | VHR-5N | SVH-21T-P1.1 | 22-18 |
| Output (JST) | B2P3-VH(LF)(SN) | VHR-3N | | |

PMT Panel Mount Power Supply

12 V 50 W 1 Phase / PMT-12V50W1A□

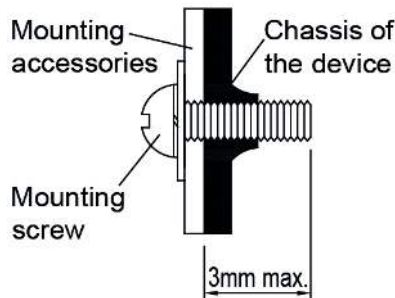


Fig. 4 Mounting Screw

- **For PMT and PML Series (Refer to Fig. 4):** Only use M3 screw ≤ 3 mm (0.12 inch) through the base mounting holes. This is to keep a safe distance between the screw and internal components. Recommended mounting tightening torque: 4~7 Kgf.cm (3.47~6.08 lbf.in).
- **For PMB Series: (Refer to Fig. 3):** The mounting holes on any mounting accessories for the device should be kept at a diameter of < 6.5 mm (0.26 inch). This is to ensure sufficient safety distance between the mounting screw and the components around the mounting holes on the PCBA. Therefore, the diameter of the mounting screw should be kept at < 6.5 mm (0.26 inch).

Safety Instructions

- If user's mounting orientation is not according to the recommended mounting orientations, please consult Delta for further information.
- L frame (PML) and Open frame (PMB) options are to be manufactured by Delta and not to be reconfigured by users from the standard enclosed configuration.
- The device is not recommended to be placed on low thermal conductive surface. For example, plastics.
- The enclosure of the device can become very hot depending on the ambient temperature and load of the power supply. Do not touch the device while it is in operation or immediately after power is turned OFF. Risk of burning!
- Do not touch the terminals while power is being supplied. Risk of electric shock.
- Prevent any foreign metal, particles or conductors from entering the device through the openings during installation. It may cause electric shock, safety hazard, fire and/or product failure.
- The power supply must be mounted by metal screws onto a grounded metal surface. It is highly recommended that the Earth terminal on the connector be connected to the grounded surface.
- Warning (For Standard Terminal Block and Front Face Terminal Block products): When connecting the device, secure Earth connection before connecting L and N. When disconnecting the device, remove L and N connections before removing the Earth connection.

PMT Panel Mount Power Supply

12 V 50 W 1 Phase / PMT-12V50W1A□

Functions

Start-up Time

The time required for the output voltage to reach 90% of its final steady state set value, after the input voltage is applied.

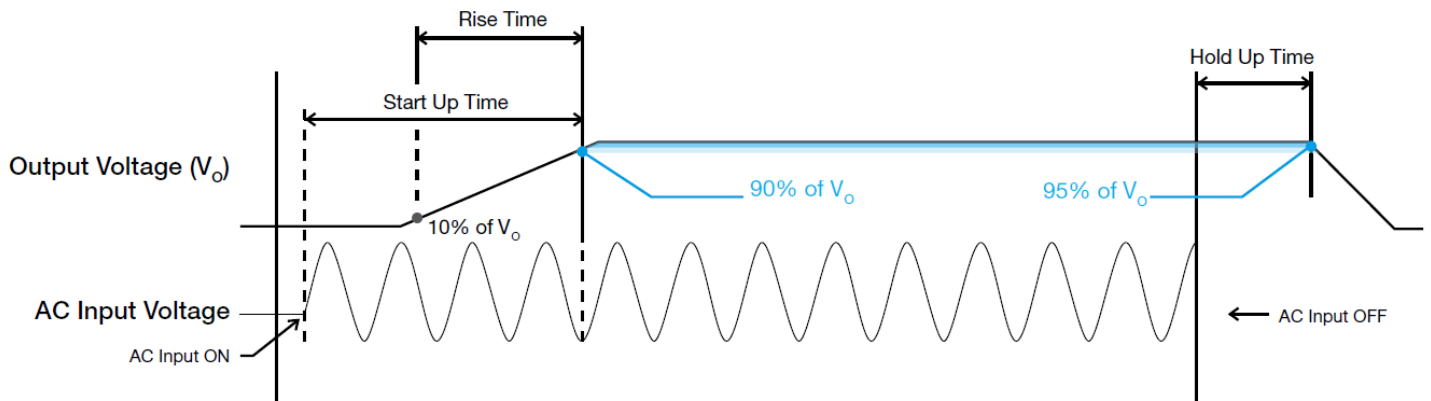
Rise Time

The time required for the output voltage to change from 10% to 90% of its final steady state set value.

Hold-up Time

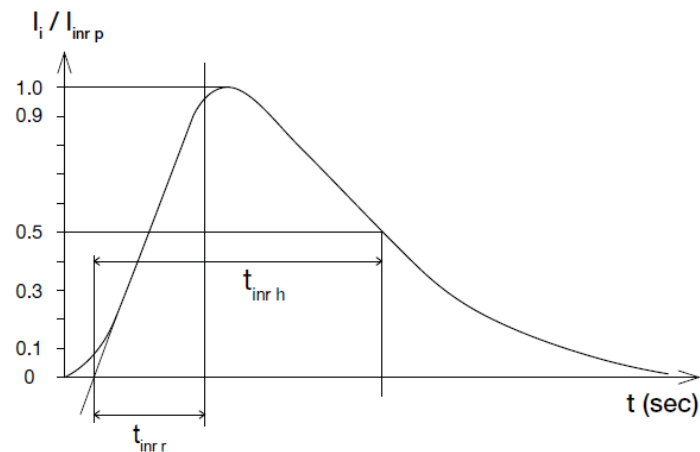
Time between the collapse of the AC input voltage, and the output falling to 95% of its steady state set value.

■ Graph illustrating the Start-up Time, Rise Time, and Hold-up Time



Inrush Current

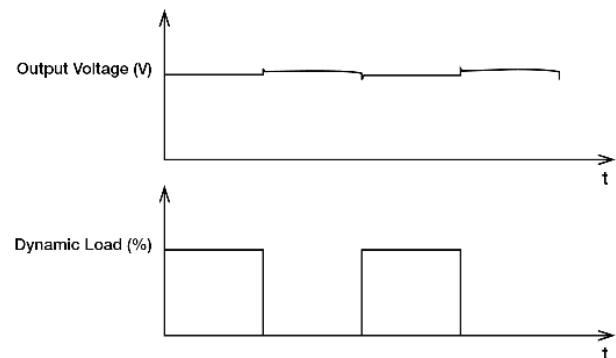
Inrush current is the peak, instantaneous, input current measured and, occurs when the input voltage is first applied. For AC input voltages, the maximum peak value of inrush current will occur during the first half cycle of the applied AC voltage. This peak value decreases exponentially during subsequent cycles of AC voltage.



Dynamic Response

The power supply output voltage will remain within $\pm 5\%$ of its steady state value, when subjected to a dynamic load from 0 to 100% of its rated current.

50% duty cycle / 5 Hz to 1 KHz

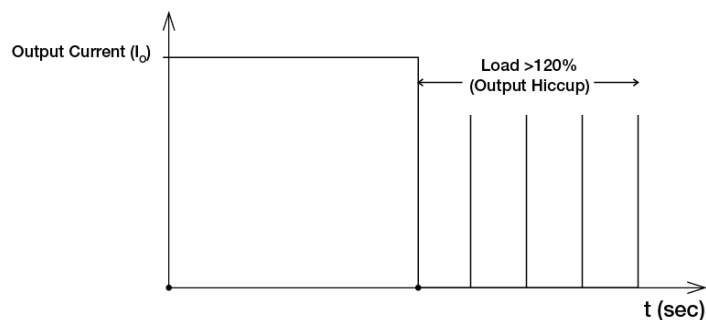


PMT Panel Mount Power Supply

12 V 50 W 1 Phase / PMT-12V50W1A□

Overload & Overcurrent Protections (Auto-Recovery)

The power supply's Overload (OLP) and Overcurrent (OCP) Protections will be activated when output current exceeds 120% of I_O (Max load). In such occurrence, the V_O will start to droop and once the power supply has reached its maximum power limit, the protection is activated and the power supply will go into "Hiccup mode" (Auto-Recovery). The power supply will recover once the fault condition of the OLP and OCP is removed and I_O is back within the specifications.



It is not recommended to prolong the duration of I_O when it is <120% but >100%, since it may cause damage to the PSU.

Short Circuit Protection (Auto-Recovery)

The power supply's output OLP/OCP function also provides protection against short circuits. When a short circuit is applied, the output current will operate in "Hiccup mode", as shown in the illustration in the OLP/OCP section on this page. The power supply will return to normal operation after the short circuit is removed.

Others

Attention

Delta provides all information in the datasheets on an "AS IS" basis and does not offer any kind of warranty through the information for using the product. In the event of any discrepancy between the information in the catalog and datasheets, the datasheets shall prevail (please refer to www.DeltaPSU.com for the latest datasheets information). Delta shall have no liability of indemnification for any claim or action arising from any error for the provided information in the datasheets. Customer shall take its responsibility for evaluation of using the product before placing an order with Delta.

Delta reserves the right to make changes to the information described in the datasheets without notice.

Manufacturer and Authorized Representatives Information

Manufacturer

Thailand
Delta Electronics (Thailand) PCL.
909 Pattana 1 Rd., Muang, Samutprakarn, 10280 Thailand

Taiwan
Delta Electronics, Inc.
3 Tungyuan Road, Chungli Industrial Zone, Taoyuan County
32063, Taiwan

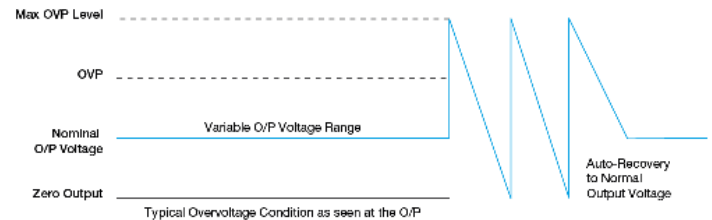
Authorized Representatives

The Netherlands
Delta Greentech (Netherlands) B.V.
Zandsteen 15, 2132 MZ Hoofddorp, The Netherlands

United Kingdom
Delta Electronics Europe Limited
1 Redwood Court, Peel Park Campus,
East Kilbride, Glasgow, G74 5PF, United Kingdom

Overvoltage Protection (Auto-Recovery)

The power supply's overvoltage circuit will be activated when its internal feedback circuit fails. The output voltage shall not exceed its specifications defined on Page 3 under "Protections".



Over Temperature Protection (Auto-Recovery)

As described in load de-rating section, the power supply also has Over Temperature Protection (OTP). In the event of a higher operating temperature at 100% load, the power supply will run into OTP when the operating temperature is beyond what is recommended in the de-rating graph. When activated, the output voltage will go into bouncing mode until the temperature drops to its normal operating temperature as recommended in the de-rating graph.