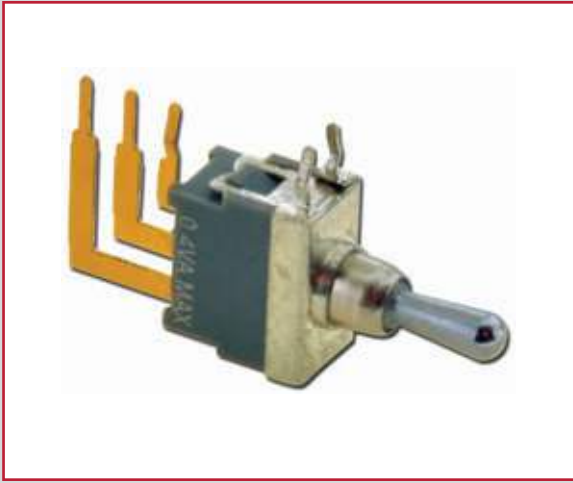


# 200R SERIES TOGGLE SWITCH

ANTI-VANDAL SWITCHES  
 DETECTOR SWITCHES  
 DIP SWITCHES  
 KEYLOCK SWITCHES  
 NAVIGATION SWITCHES  
 PUSHBUTTON SWITCHES  
 ROCKER SWITCHES  
 ROTARY SWITCHES  
 SLIDE SWITCHES  
 SNAP ACTION SWITCHES  
 TACTILE SWITCHES  
**TOGGLE SWITCHES**  
 CAP OPTIONS



## APPLICATIONS / MARKETS



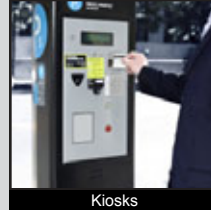
Audio / Visual



Consumer Electronics



Vending Machines



Kiosks



Instrumentation



Medical Equipment

**RoHS**

## SPECIFICATIONS

**Electrical Rating:** 0.4VA Max@ 48V (AC or DC)  
**Mechanical Life:** 40,000 Cycles  
**Contact Resistance:** 50mΩ Max. initial  
**Insulation Resistance:** 1,000MΩ  
**Dielectric Strength:** 500V  
**Operating/Storage Temperature:** -30°C to 85°C  
**Circuit Function:** SP or DP

## FEATURES & BENEFITS

- Multiple termination options
- Single or double pole
- Available in both 2 or 3 position circuits
- Miniature in size
- Gold contacts

## PART NUMBER CONFIGURATOR

Series	Circuit	Toggle	Bushing	Termination	Contact Material
<input type="text" value="2"/> <input type="text" value="0"/> <input type="text" value="0"/> <input type="text" value="R"/> 200R	<input type="text" value="S"/> <input type="text" value="P"/> <input type="text" value="1"/> SP1 - ON-NONE-ON SP2 - ON-NONE-(ON) SP3 - ON-OFF-ON SP4 - (ON)-OFF-(ON) SP5 - ON-OFF-(ON)  <input type="text" value="D"/> <input type="text" value="P"/> <input type="text" value="1"/> DP1 - ON-NONE-ON DP2 - ON-NONE-(ON) DP3 - ON-OFF-ON DP4 - (ON)-OFF-(ON) DP5 - ON-OFF-(ON)	<input type="text" value="T"/> <input type="text" value="1"/> T1	<input type="text" value="B"/> <input type="text" value="1"/> B1	<input type="text" value="M"/> <input type="text" value="2"/> <input type="text" value="M"/> <input type="text" value="6"/> <input type="text" value="M"/> <input type="text" value="7"/> M2 M6 M7	<input type="text" value="R"/> R - Gold

\* ( ) denotes momentary

*Specifications subject to change without notice*



**E-SWITCH®**

www.e-switch.com

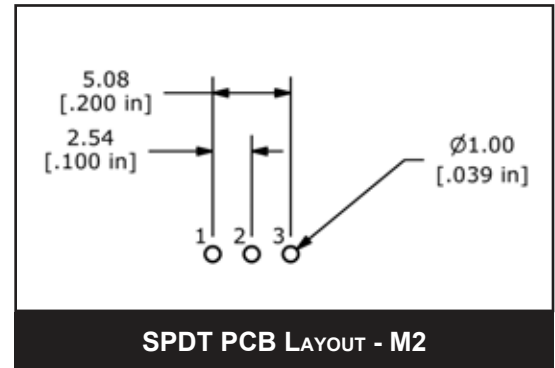
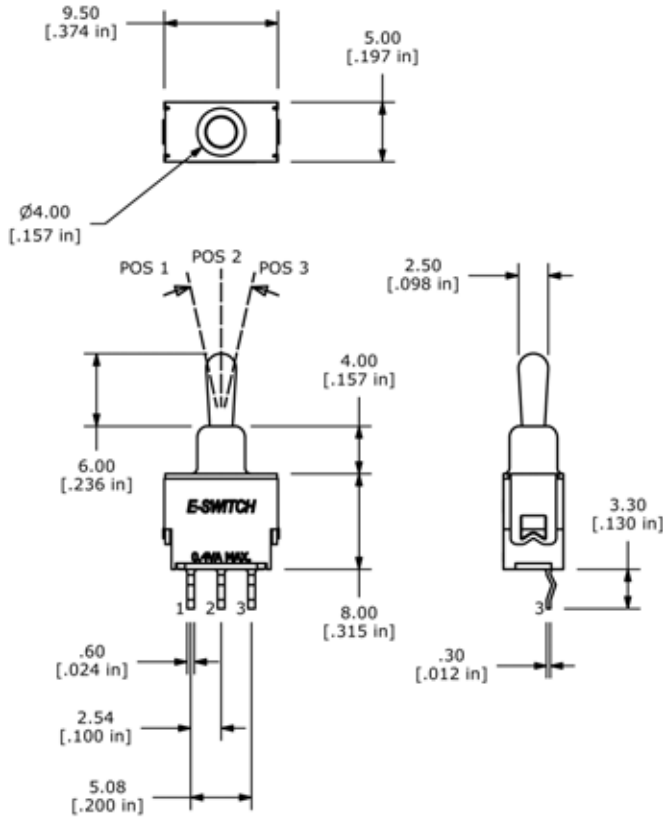
800.867.2717

2

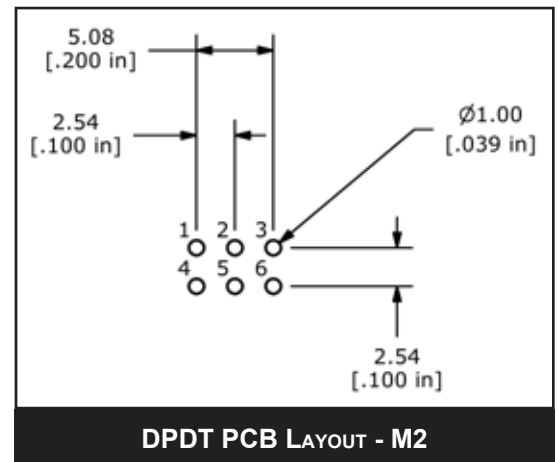
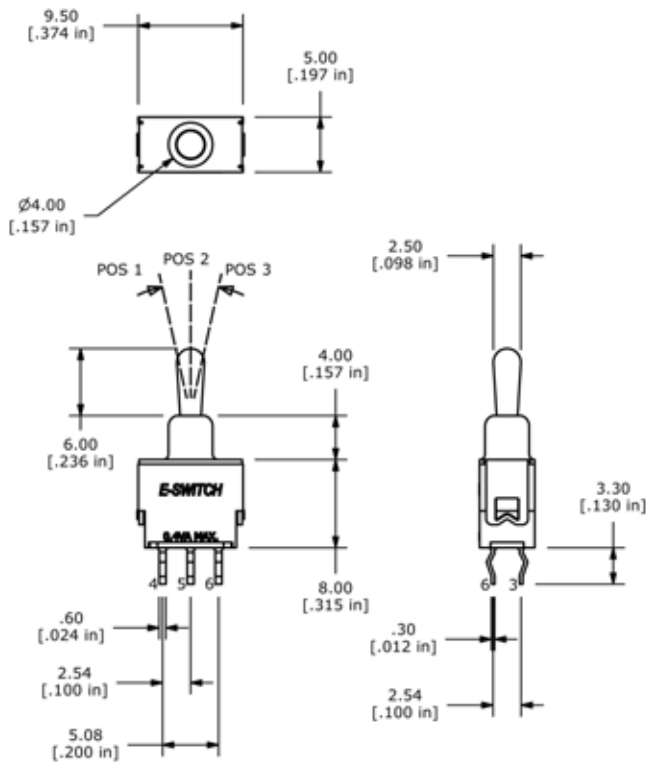
# 200R SERIES TOGGLE SWITCH

## M2 TERMINATION

### Single Pole



### Double Pole

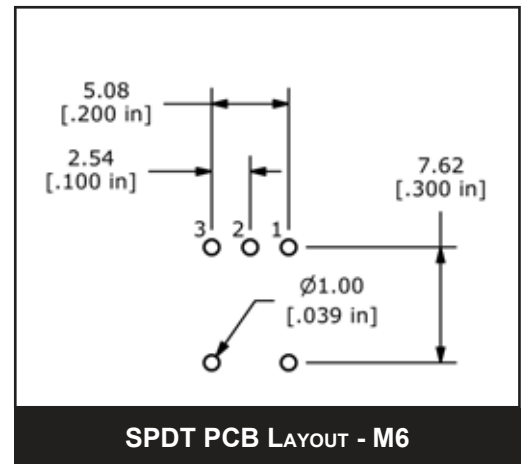
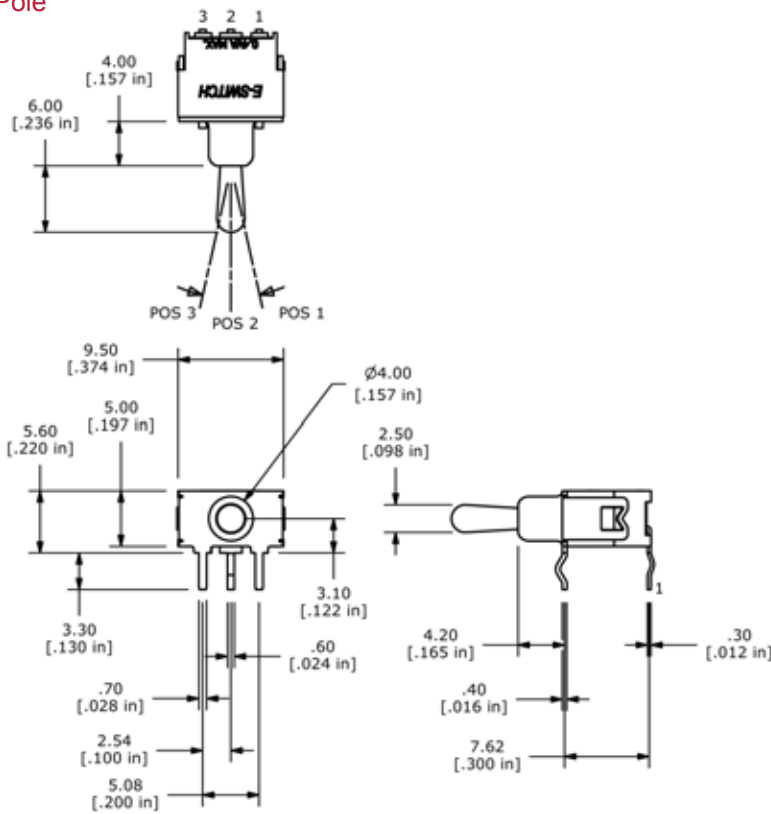


- ANTI-VANDAL SWITCHES
- DETECTOR SWITCHES
- DIP SWITCHES
- KEYLOCK SWITCHES
- NAVIGATION SWITCHES
- PUSHBUTTON SWITCHES
- ROCKER SWITCHES
- ROTARY SWITCHES
- SLIDE SWITCHES
- SNAP ACTION SWITCHES
- TACTILE SWITCHES
- TOGGLE SWITCHES
- CAP OPTIONS

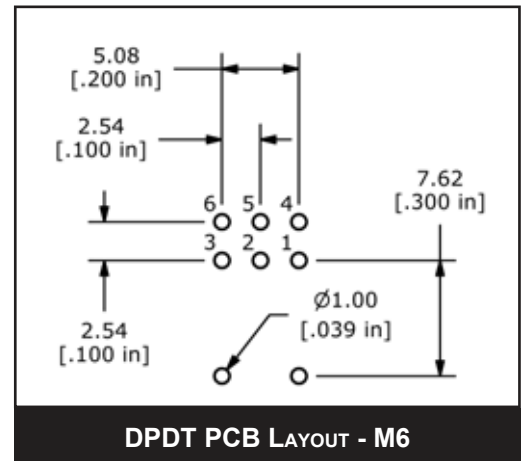
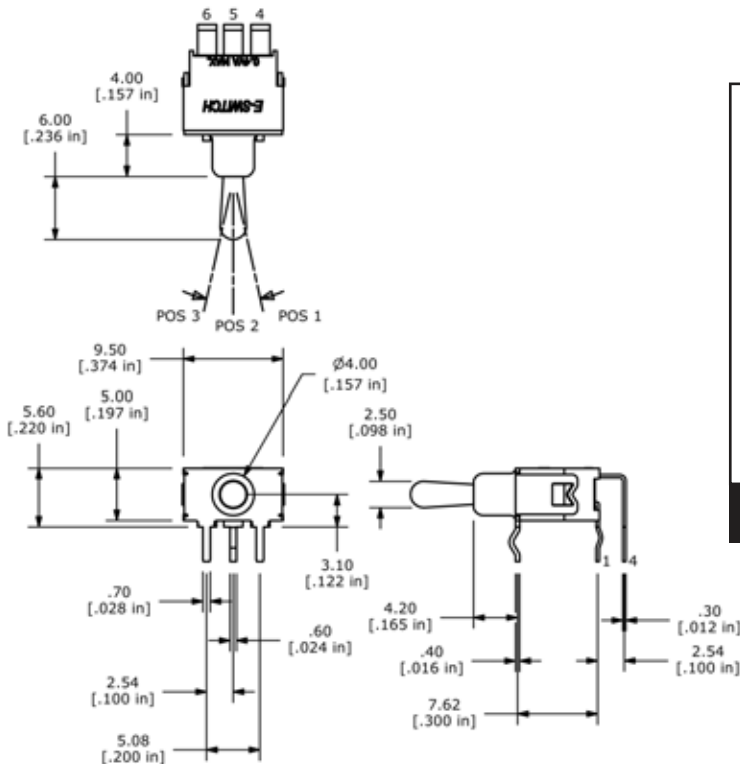
# 200R SERIES TOGGLE SWITCH

## M6 TERMINATION

### Single Pole



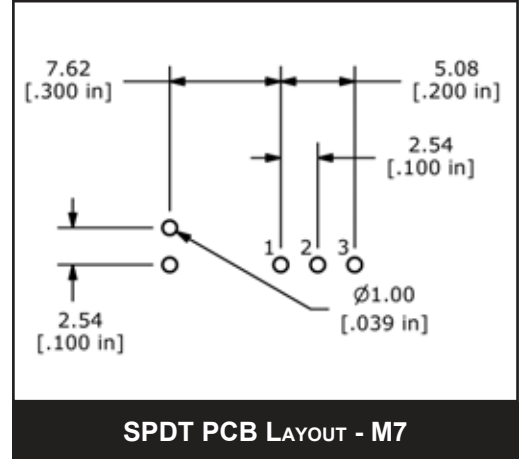
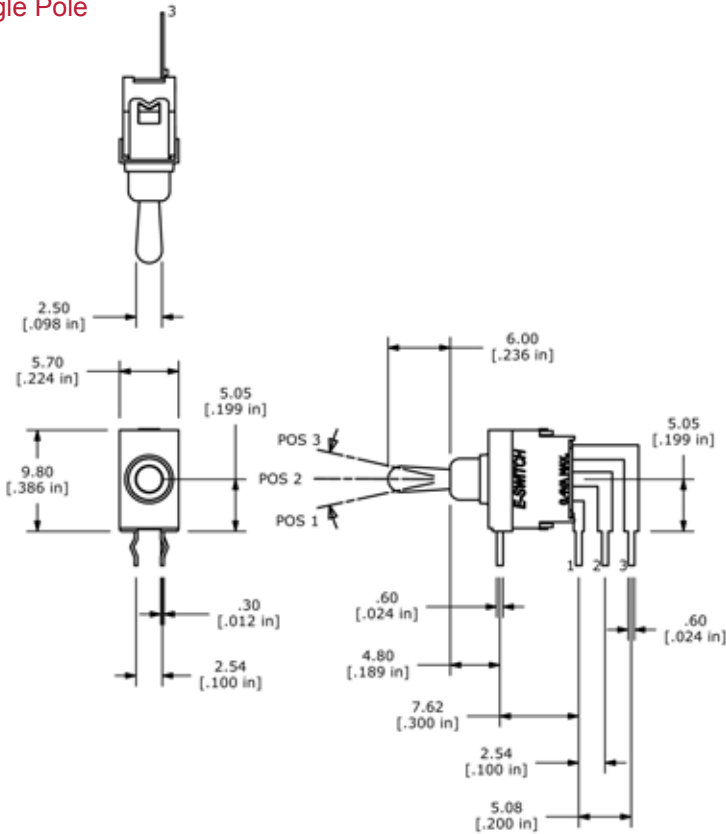
### Double Pole



# 200R SERIES TOGGLE SWITCH

## M7 TERMINATION

### Single Pole



### Double Pole

