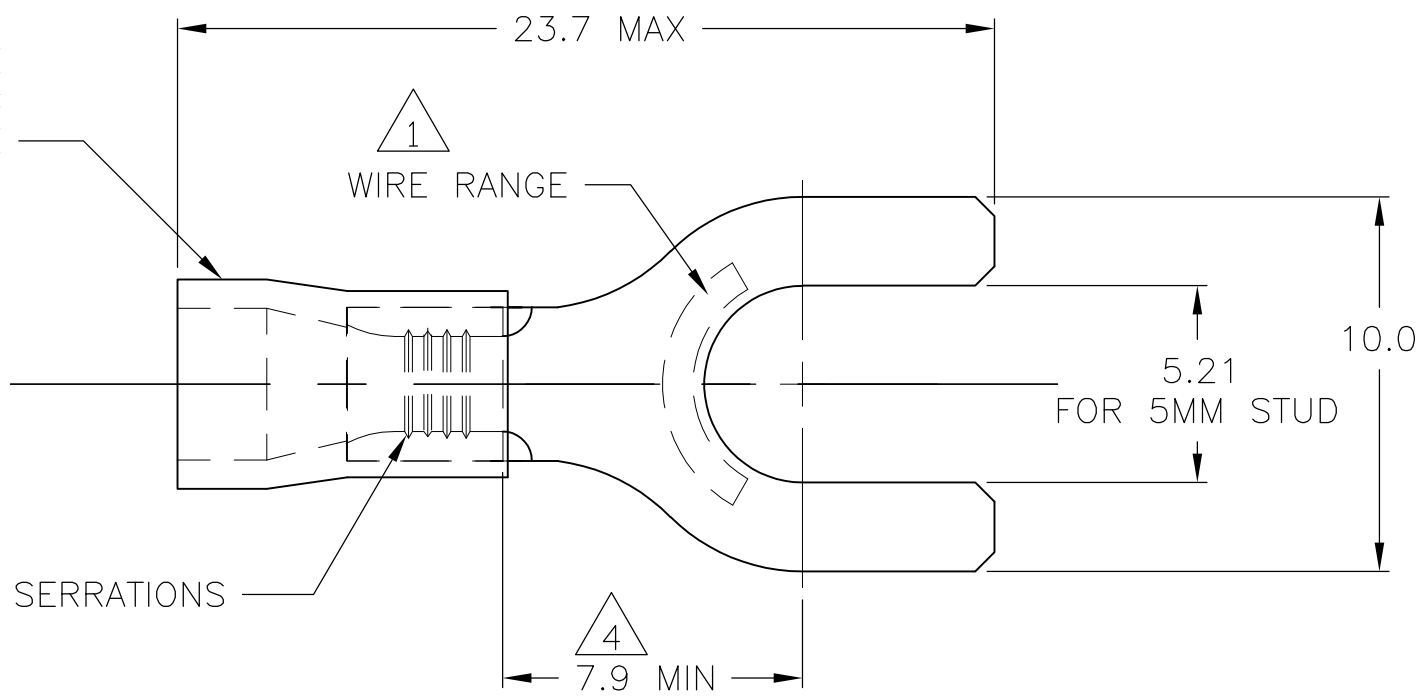


THIS DRAWING IS UNPUBLISHED. RELEASED FOR PUBLICATION

© COPYRIGHT BY TYCO ELECTRONICS CORPORATION. ALL RIGHTS RESERVED.

| LOC | DIST | REVISIONS |     |                       |         |     |      |
|-----|------|-----------|-----|-----------------------|---------|-----|------|
| G   | 02   | P         | LTR | DESCRIPTION           | DATE    | DWN | APVD |
|     |      | C         |     | REV PER ECR 09-025898 | 02DEC09 | JR  | TM   |

INSULATION SLEEVE MATERIAL: PVC COLOR: BLUE



- 1 WIRE SIZE IS 16-14 AWG
- 2 WIRE INSULATION DIA: 3.0-4.9
- 3 MATERIAL THICKNESS IS 0.80±0.05
- 4 DIMENSION APPLIES FROM EDGE OF METAL WIRE BARREL TO CENTER OF STUD HOLE.
- 5 600 VOLT MAX
- 6 CIRCULAR MIL AREA: 2,050 - 5,180 (1.04mm<sup>2</sup>-2.62mm<sup>2</sup>)

TERMINAL BODY MATERIAL: COPPER FINISH: TIN PLATE

|             |           |      |         |
|-------------|-----------|------|---------|
| PLASTIC BAG | STANDARD  | 1000 | 130678  |
| PACKAGING   | LABELLING | QTY  | PART NO |

|  |  |                           |  |                 |
|--|--|---------------------------|--|-----------------|
| THIS DRAWING IS A CONTROLLED DOCUMENT. |  | DWN jr_ruth 08DEC05       | Tyco Electronics Corporation Harrisburg, PA 17105-3608 |                 |
| DIMENSIONS: mm                         |  | CHK T MICHELUTTI 08DEC05  | NAME   |                 |
| TOLERANCES UNLESS OTHERWISE SPECIFIED: |  | APVD T MICHELUTTI 08DEC05 | TERMINAL, SPADE, PLASTI-GRIP,                          |                 |
| 0 PLC ± -                              |  | PRODUCT SPEC              | -  |                 |
| 1 PLC ± 0.5                            |  | APPLICATION SPEC          | -  |                 |
| 2 PLC ± -                              |  | WEIGHT                    | -  |                 |
| 3 PLC ± -                              |  | CUSTOMER DRAWING          | SIZE A3  | CAGE CODE 00779 |
| 4 PLC ± -                              |  | FINISH                    | DRAWING NO   | RESTRICTED TO   |
| ANGLES ± 1°                            |  |                           | G-130678   |                 |
| MATERIAL -                             |  | SCALE 5:1                 |  | SHEET 1 OF 1    |
|  |  | REV C                     |  |                 |