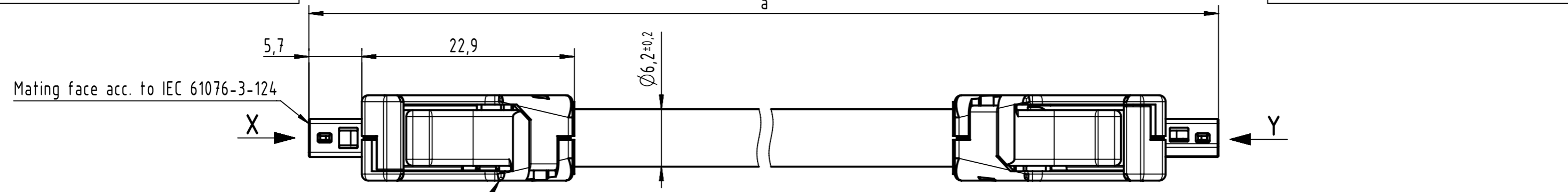
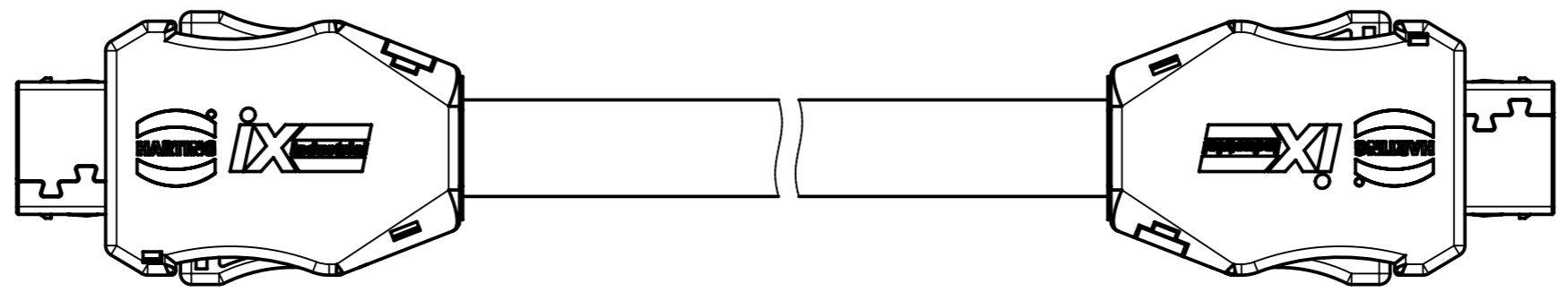


Connector Location A

Connector Location B



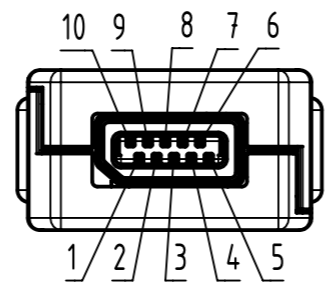
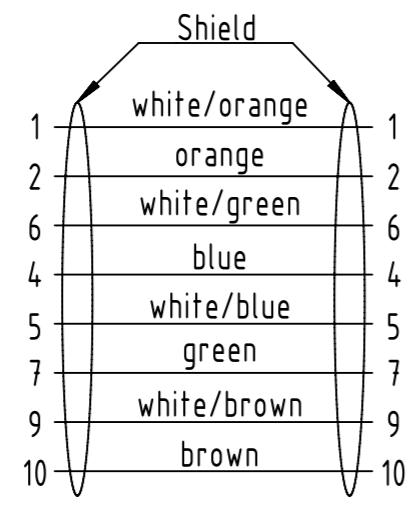
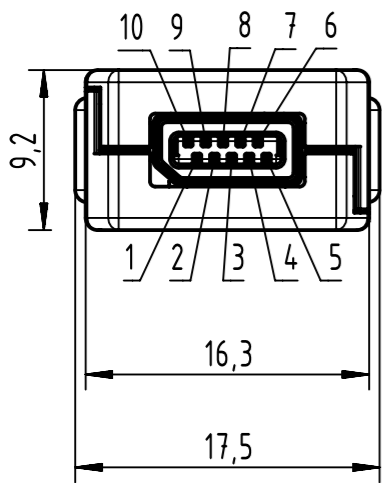
HARTING ix Industrial Cat. 6A, 10-pole, Type A IDC (IP20)



X male

Loading Plan acc. to TIA/EIA 568B

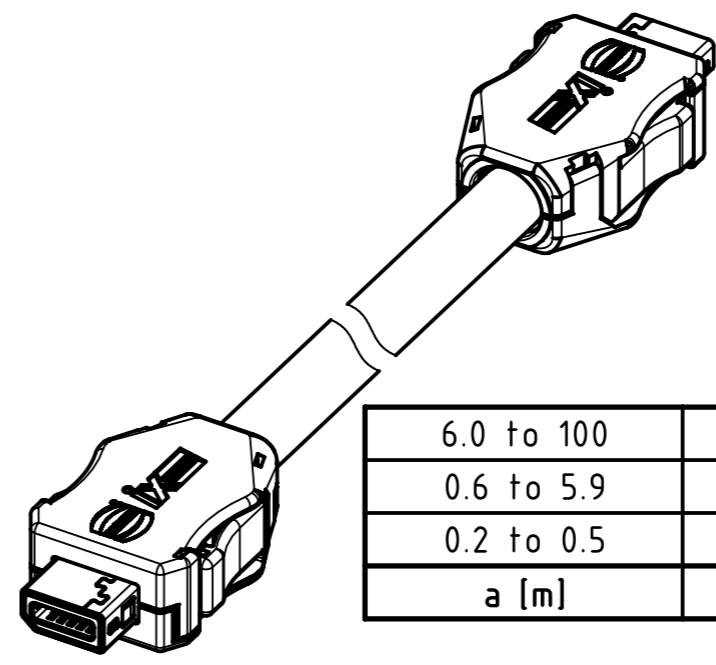
Y male



Contacts 3 and 8 are not connected on both ends

- Contact material: copper alloy
- Contact area: Gold 0.2µm min.

Temperature range:
 - Fixed installation: -20°C ... +60°C
 - Dynamic installation: 0°C ... +50°C



6.0 to 100	±1%
0.6 to 5.9	+0.04
0.2 to 0.5	+0.02
a [m]	Tolerance

length in "1m" step	100	XXX=000
	99	XXX=990
	.	.
	12	XXX=120
	11	XXX=110
length in "0.1m" step	10	XXX=100
	9.9	XXX=099
	9.8	XXX=098
	.	.
	0.5	XXX=005
	0.4	XXX=004
	0.3	XXX=003
	0.2	XXX=002
Step	a [m]	XXX

Cat. 7 FRNC Ethernet Cable, AWG 26/7, S/FTP, blue

33480101822XXX

Type of cable

Part no.

NOTE:

For lengths < 1.0m:
 - relative positioning of the connectors to each other will be as presented in the drawing, however with an admissible angular deviation around cable axis of ± 30°
 For lengths ≥ 1.0m:
 -relative positioning of the connectors to each other not obligatory

All Dimensions in mm		Tech. Character.		Free size tol.		According to production drawing	
All rights reserved Department HCS - RO		Created by 407675 Lorinczi	Inspected by 402676 Gross	Standardisation MUNTEANV Muntean	Date 2022-11-08	State Final Release	
HARTING Customised Solutions D-32339 Espelkamp		Title ix Industrial Cat.6A FRNC blue			Doc-Key / ECM-Nr. 100823046/UGD/000/E 500000226508		
		Type TB	Number 33480101822XXX		Rev. E	Page 1/1	