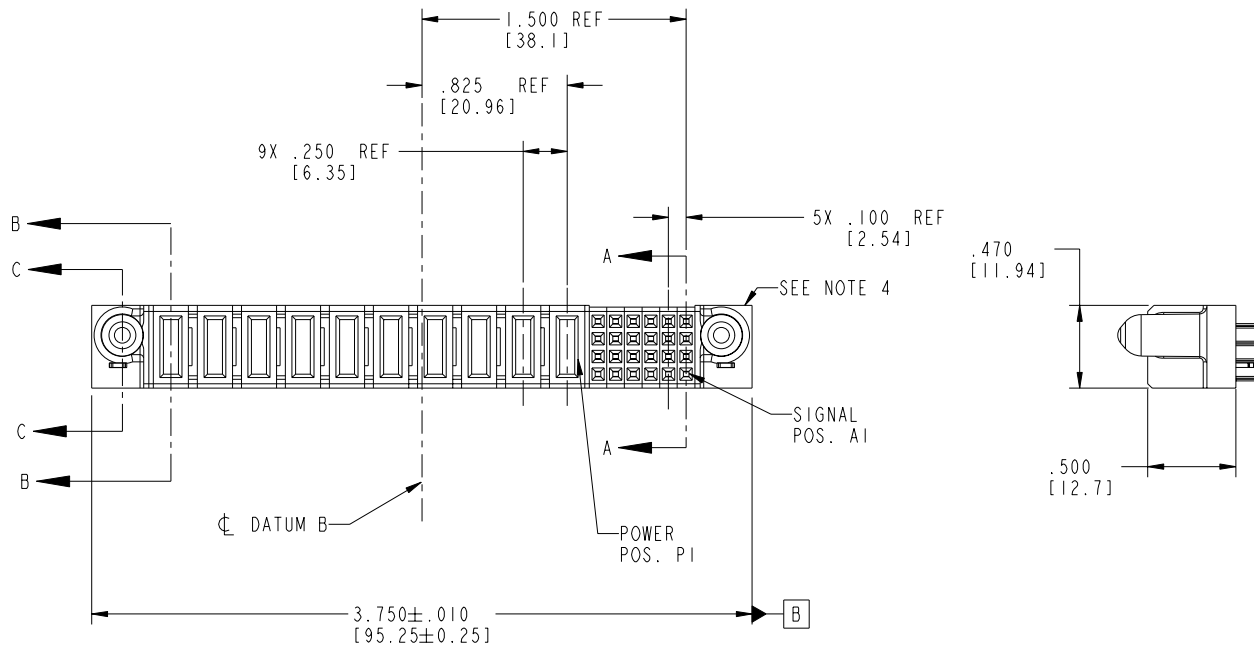


Tous droits strictement réservés. Reproduction ou communication à des tiers interdite sous quelque forme que ce soit sans autorisation écrite du propriétaire. Propriété de c FCI. Droits de reproduction FCI.

All rights strictly reserved. Reproduction or issue to third parties in any form whatever is not permitted without written authority from the proprietor. Property of FCI. Copyright FCI.

PRODUCT NO.	ROWS	POWER										SIGNAL							
		E2	P10	P9	P8	P7	P6	P5	P4	P3	P2	P1	6	5	4	3	2	1	E1
51752-017-- NOTE ③	D C B A																		



CODE	DIM "M" MATING LENGTH	CONTACT TYPE
E	N/A [N/A]	SIGNAL
PA	.042 [1.07]	POWER
HA	N/A [N/A]	HOLD-DOWN
PD	.092 [2.34]	POWER

mat'l code				SEE NOTE 2		tolerances unless otherwise specified		CUSTOMER		 www.fciconnect.com	
ltr	ecn no.	dr	date	linear		.XX±.01/0.X±0.3		COPY		title	
A	DG05-0518	CS	12/01/05			.XXX±.005/0.XX±0.13		projection		10P + 24S	
				angles		.XXX±.0020/0.XX±0.051				VERTICAL SOLDER RECEPT	
				dr	CS	12/01/05		INCH/MM		product family	
				enr	STEVEN WANG	12/01/05		scale		PwrBlade	
				chr	VICTOR LIN	12/01/05		1:1		code	
				appd	JOSEPH HSIA	12/01/05				213	
sheet index		revision sheet	A 1	A 2	A 3	A 4				sheet 1 of 4	

cage code 22526 4

PDM: Rev:A

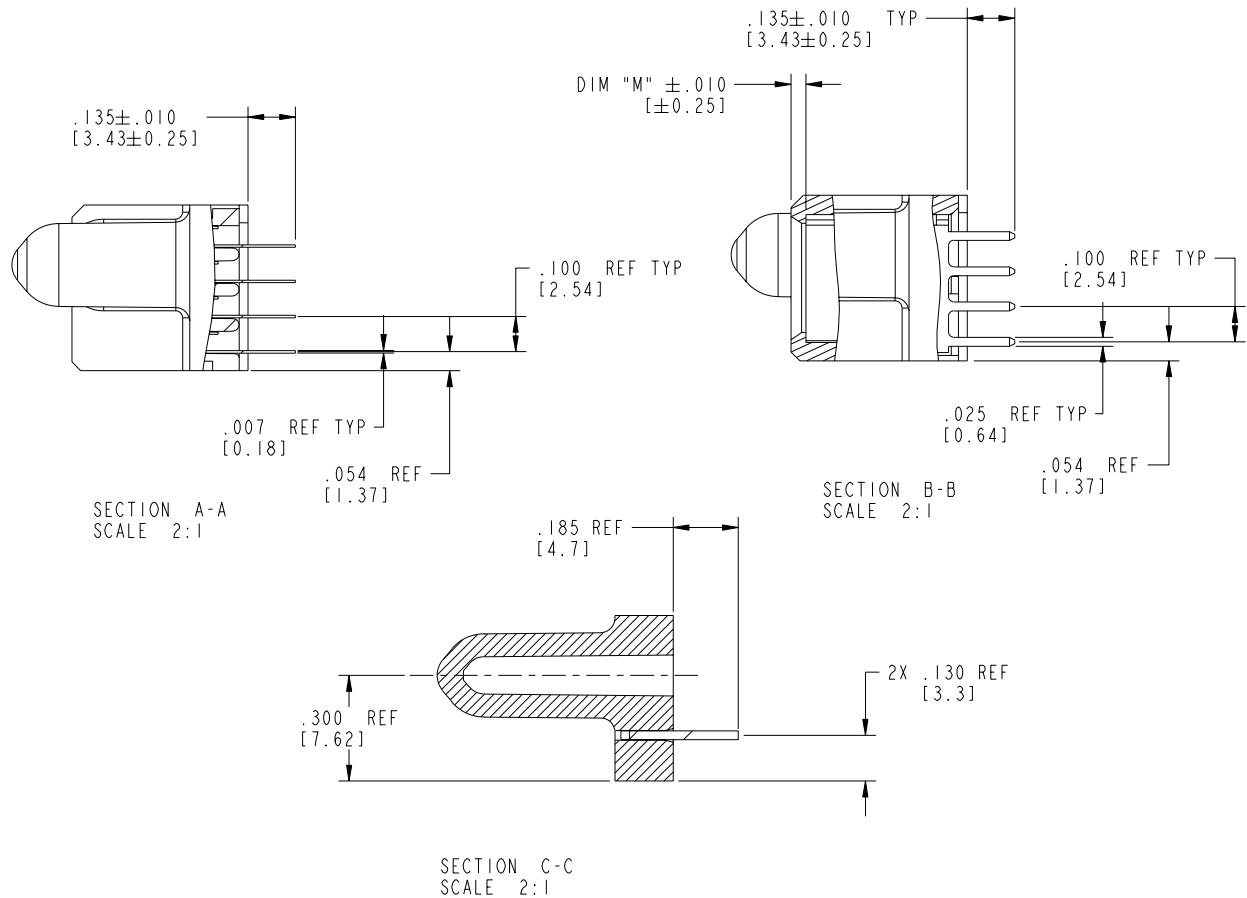
STATUS: Released

Printed: Dec 20, 2010

Tous droits strictement réservés. Reproduction ou communication a des tiers interdite sous quelque forme que ce soit sans autorisation écrite du propriétaire. Propriété de c FCI. Droits de reproduction FCI.

All rights strictly reserved. Reproduction or issue to third parties in any form whatever is not permitted without written authority from the proprietor. Property of FCI. Copyright FCI.

PRODUCT NUMBER  
51752-017--  
NOTE ③



mat'l code		SEE NOTE 2		tolerances unless otherwise specified		CUSTOMER		 www.fciconnect.com	
ltr	ecn no.	dr	date	linear	$.XX \pm .01 / 0.X \pm 0.3$ $.XXX \pm .005 / 0.XX \pm 0.13$ $.XXXX \pm .0020 / 0.XXX \pm 0.051$	COPY		title	
A				angles	$0^\circ \pm 2^\circ$	projection		10P + 24S VERTICAL SOLDER RECEPT	
				dr	CS 12/01/05			product family	
				enr	STEVEN WANG 12/01/05	scale		PwrBlade	
				chr	VICTOR LIN 12/01/05	1:1		code	
				appd	JOSEPH HSIA 12/01/05			213	
sheet index		revision sheet						size	
								A 51752-017	
								sheet	
								2 of 4	

cage code 22526

Pro/E

PDM: Rev:A

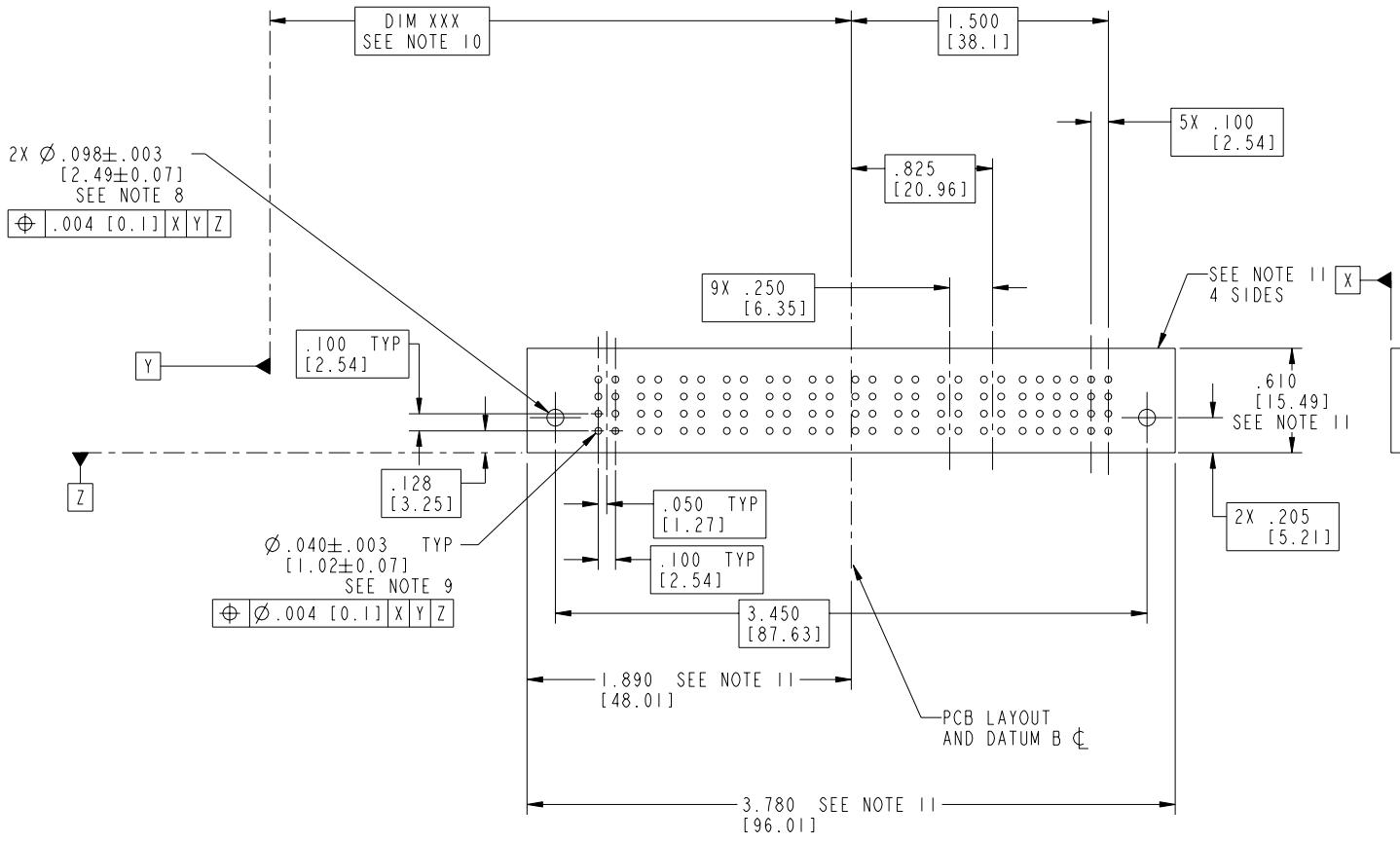
STATUS: Released

Printed: Dec 20, 2010

Tous droits strictement réservés. Reproduction ou communication à des tiers interdite sous quelque forme que ce soit sans autorisation écrite du propriétaire. Propriété de c FCI. Droits de reproduction FCI.

All rights strictly reserved. Reproduction or issue to third parties in any form whatever is not permitted without written authority from the proprietor. Property of FCI. Copyright FCI.

PRODUCT NUMBER  
51752-017--  
NOTE ③



mat'l code		SEE NOTE 2		tolerances unless otherwise specified		CUSTOMER		 www.fciconnect.com	
ltr	ecn no.	dr	date	linear	.XX±.01/0.X±0.3	COPY		title	
A				projection	.XXX±.005/0.XX±0.13			10P + 24S VERTICAL SOLDER RECEPT	
				angles	.XXX±.0020/0.XXX±0.051			product family	
				dr	0°±2°	INCH/MM		PwrBlade	
				enr	CS 12/01/05	scale		code	
				chr	STEVEN WANG 12/01/05	1:1		213	
				appd	VICTOR LIN 12/01/05			sheet	
					JOSEPH HSIA 12/01/05			3 of 4	
sheet index	revision sheet								

cage code 22526 4

Tous droits strictement réservés. Reproduction ou communication à des tiers interdite sous quelque forme que ce soit sans autorisation écrite du propriétaire. Propriété de c FCI. Droits de reproduction FCI.

**A**  
**FCI**

All rights strictly reserved. Reproduction or issue to third parties in any form whatever is not permitted without written authority from the proprietor. Property of FCI. Copyright FCI.

B

PRODUCT NUMBER  
51752-017--  
NOTE ③

NOTES:

1. DIMENSIONS AND TOLERANCES ARE IN ACCORDANCE WITH ASME Y14.5M, 1994 UNLESS OTHERWISE SPECIFIED.

CONNECTOR NOTES:

② HOUSING MATERIAL: UL 94 V-0 GLASS FILLED  
HIGH-TEMP THERMOPLASTIC  
POWER CONTACT MATERIAL: COPPER ALLOY  
SIGNAL PIN MATERIAL: COPPER ALLOY

3. PLATING:  
51752-017 Singal Pin: 30u"/0.76um Au OVER 50u"/1.27um Ni ON CONTACT AREA.  
AND 100u"/2.54um SnPb PLATING OVER 50u"/1.27um Ni ON THE TERMINATION SECTION.  
Power Pin: 30u"/0.76um Au OVER 50u"/1.27um Ni ON THE CONTACT AREA,  
AND 100u"/2.54um SnPb PLATING OVER 50u"/1.27um Ni ON THE TERMINATION SECTION.

51752-017LF Singal Pin: 30u"/0.76um Au OVER 50u"/1.27um Ni ON CONTACT AREA.  
AND 78u"/2.00um Sn PLATING OVER 50u"/1.27um Ni ON THE TERMINATION SECTION.  
Power Pin: 30u"/0.76um Au OVER 50u"/1.27um Ni ON THE CONTACT AREA,  
AND 78u"/2.00um Sn PLATING OVER 50u"/1.27um Ni ON THE TERMINATION SECTION.

PART NUMBER 51752-017LF MEETS EUROPEAN UNION DIRECTIVE AND OTHER COUNTRY REGULATIONS AS DESCRIBED IN GS-22-008.

THE HOUSING WILL WITHSTAND EXPOSURE TO 260° PEAK TEMPERATURE FOR 10 SECONDS IN A WAVE SOLDER APPLICATION WITH A CIRCUIT BOARD

④ MANUFACTURER'S NAME, P/N, AND DATE CODE TO APPEAR ON THIS SURFACE.

5. PRODUCT SPECIFICATION GS-12-149.  
APPLICATION SPECIFICATION BUS-20-067.

6. PACKAGED IN TRAYS.

PCB NOTES:

7. ALL HOLE DIAMETERS ARE FINISHED HOLE SIZE.

⑧ MOUNTING HOLES, WHERE APPLICABLE, ARE UNPLATED.

⑨  $\varnothing .0453 \pm .0010$  [1.151 ± 0.025] DRILLED HOLES PLATED WITH  
.0003 [0.008] MIN SnPb OVER .001 [0.03]  
TO .003 [0.08] Cu PLATING TO ACHIEVE  
 $\varnothing .040 \pm .003$  [1.02 ± .07] HOLE.

⑩ "DIM XXX" TO BE DETERMINED BY THE CUSTOMER.

⑪ CONNECTOR KEEP-OUT ZONE.

mat'l code		SEE NOTE 2		tolerances unless otherwise specified		CUSTOMER		<b>A</b> <b>FCI</b>		www.fciconnect.com	
ltr	ecn no.	dr	date	linear	.XX±.01/0.X±0.3	COPY		projection	title 10P + 24S		
A					.XXX±.005/0.XX±0.13				VERTICAL SOLDER RECEPT		
				angles	.XXX±.0020/0.XXX±0.051						
					0° ± 2°						
				dr	CS	12/01/05	INCH/MM		product family PwrBlade		code
				enr	STEVEN WANG	12/01/05			size		213
				chr	VICTOR LIN	12/01/05	scale		A 51752-017		sheet
				appd	JOSEPH HSIA	12/01/05	1:1				4 of 4
sheet index	revision sheet										

cage code 22526 4

PDM: Rev:A

STATUS: Released

Printed: Dec 20, 2010