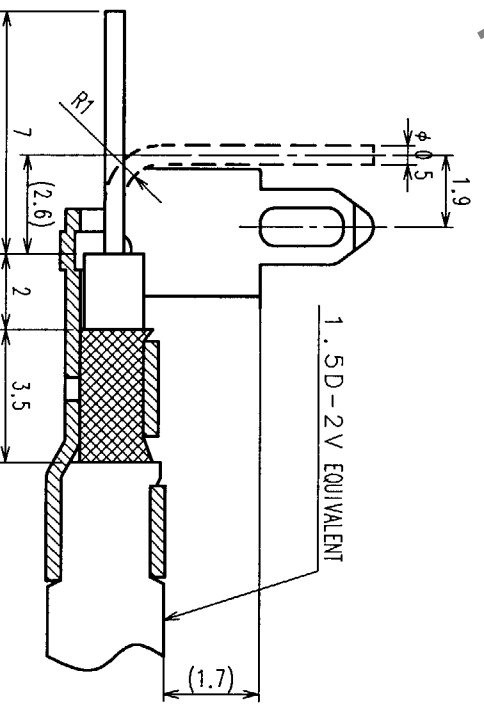
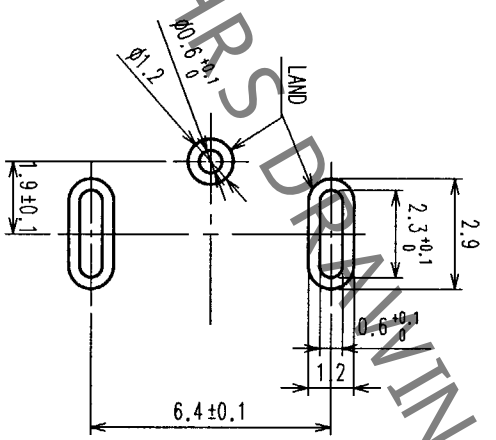
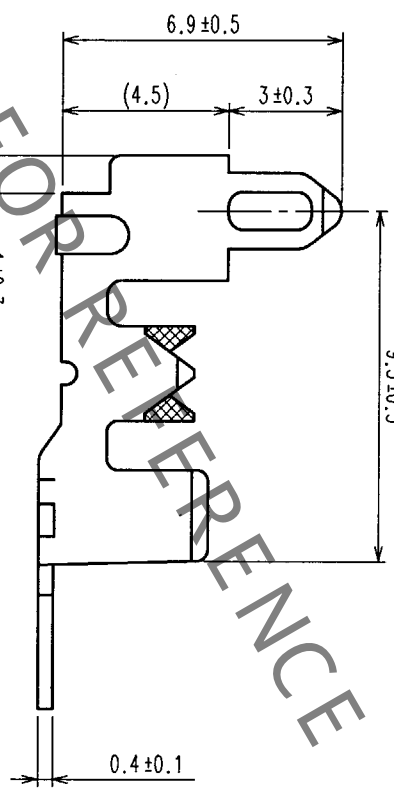
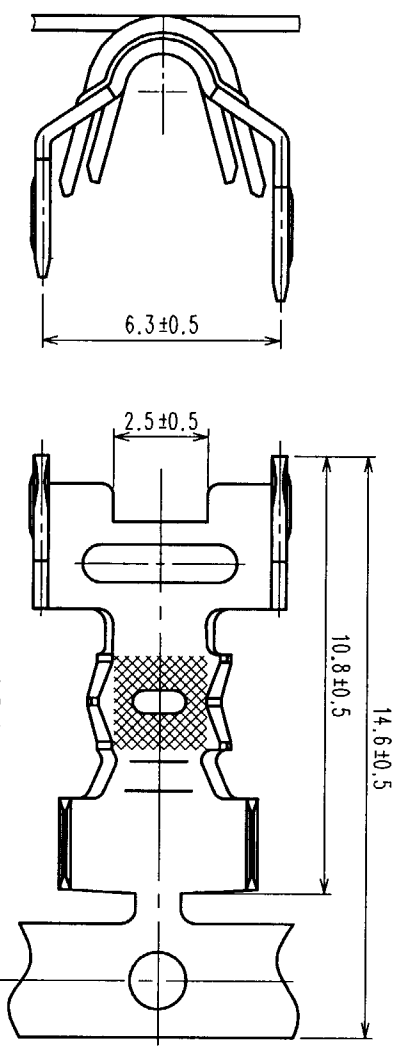


In case of consideration for using Automotive equipment / device which demand high reliability, kindly contact our sales window correspondents.

TO

COUNT	DESCRIPTION OF REVISIONS	BY	CHKD	DATE	COUNT	DESCRIPTION OF REVISIONS	BY	CHKD	DATE



RECOMMENDED PC BOARD LAYOUT

RECOMMENDED CABLE ASSEMBLY FIGURE

Pb FREE

NO.	MATERIAL	FINISH, REMARKS
1	BRASS	TIN PLATED

CODE NO. (OLD)	CL	DRAWN	S. KURIYA	CHECKED	K. Yotsu	APPROVED	K. Yotsu	RELEASED
		DESIGNED	A. SHIRAI					
			05.4.11	05.4.26	05.4.26	05.4.26		

DRAWING NO.	EDC4-165231-01	PART NO.	GTA-1.6CF (70)
SALE	5 : 1	CODE NO.	CL755-0032-2-70
UNITS	MM		