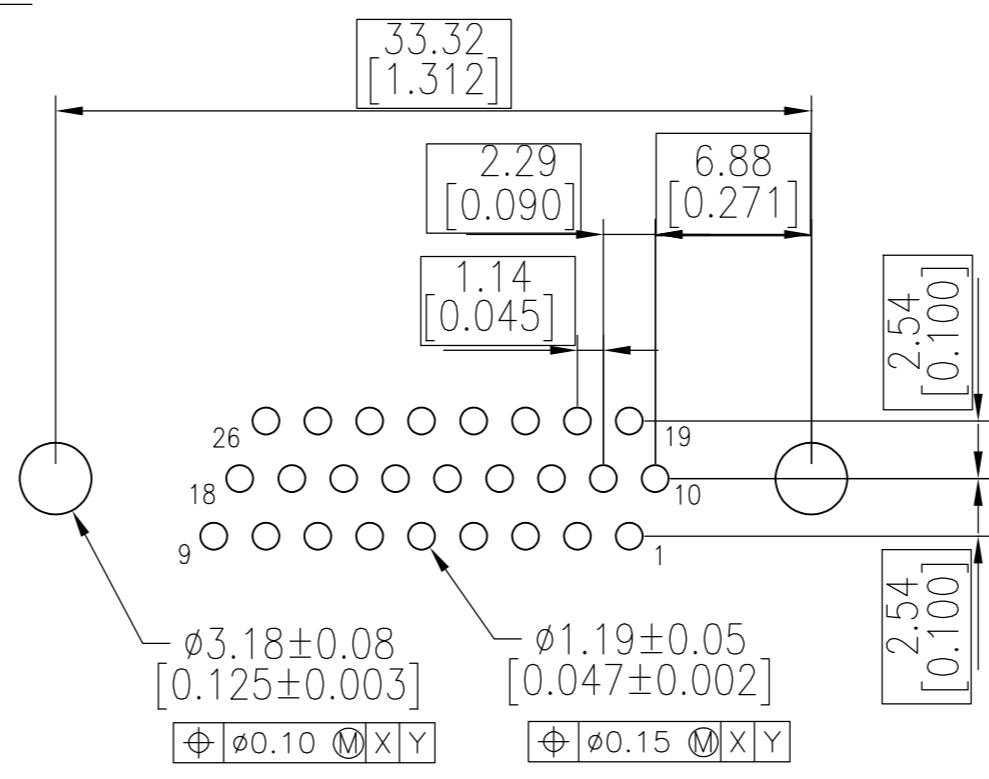
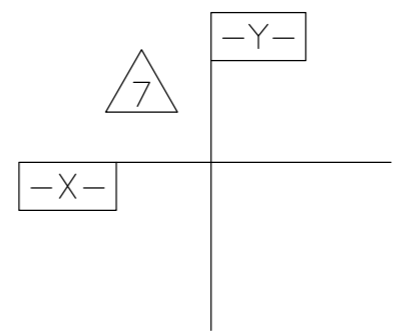
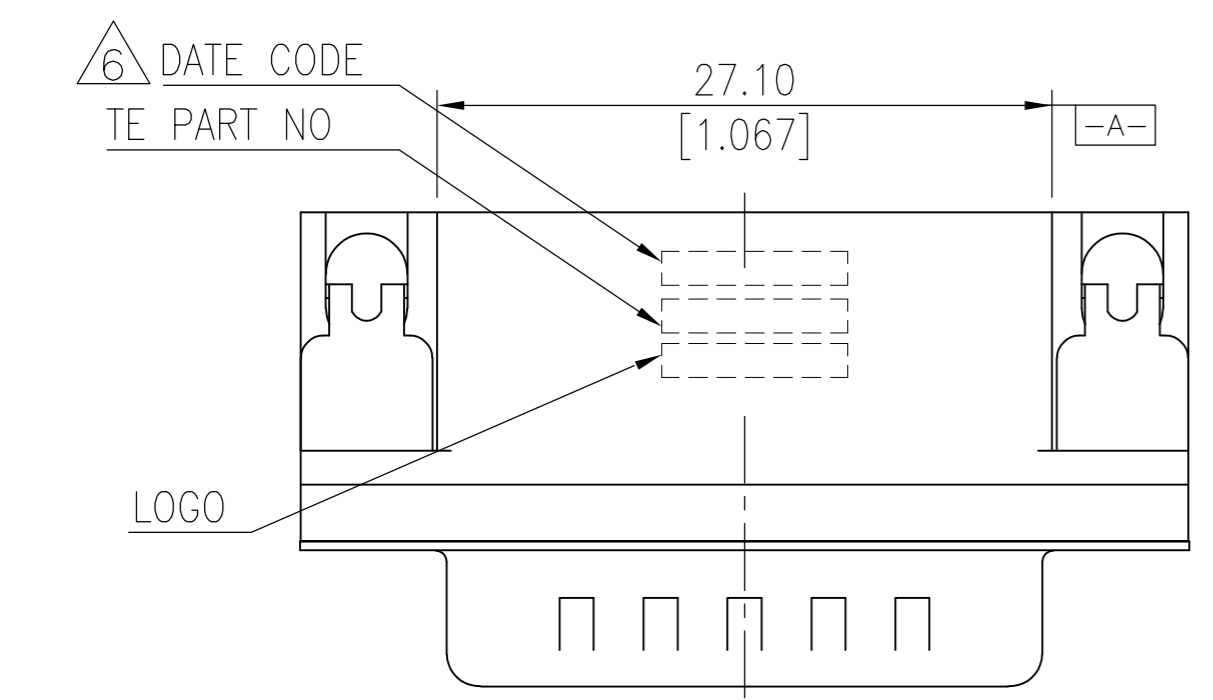
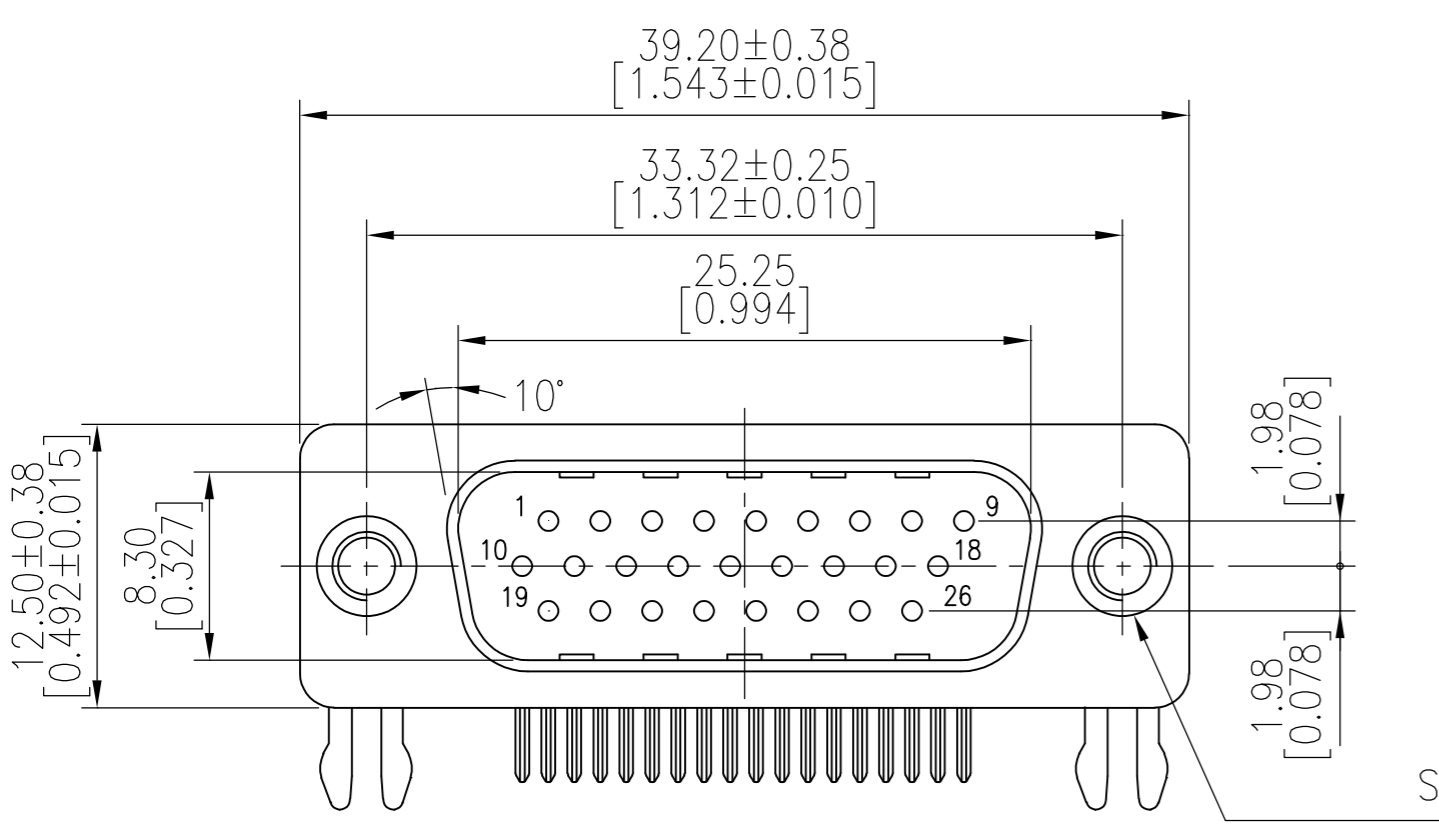


THIS DRAWING IS UNPUBLISHED. RELEASED FOR PUBLICATION
 © COPYRIGHT - By - ALL RIGHTS RESERVED.

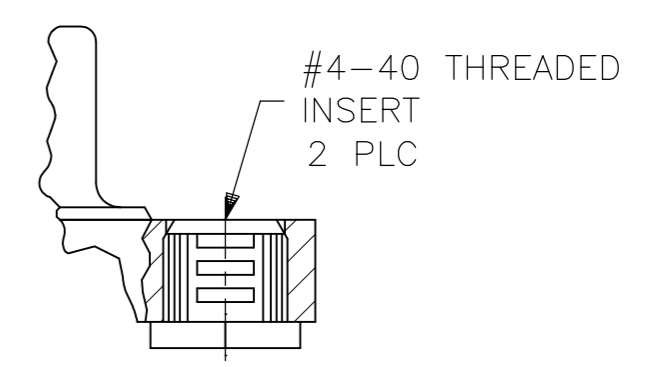
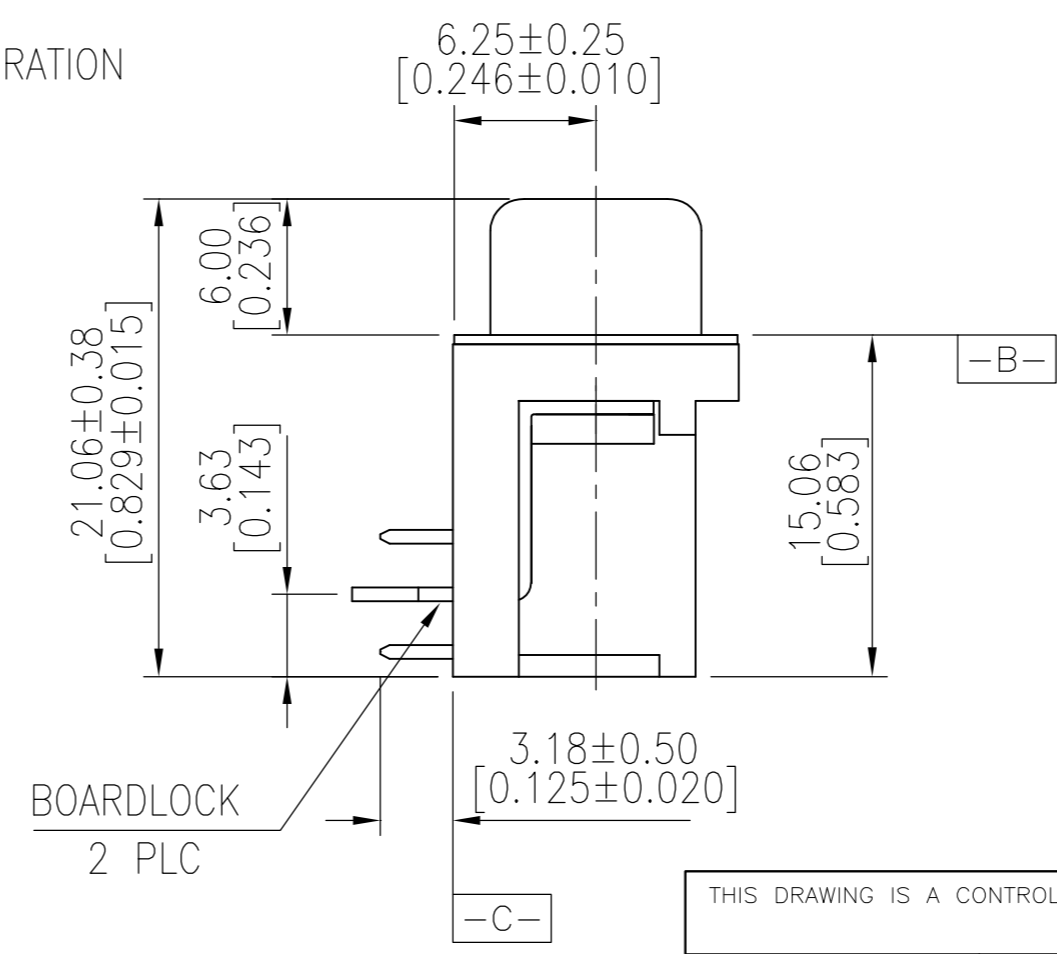
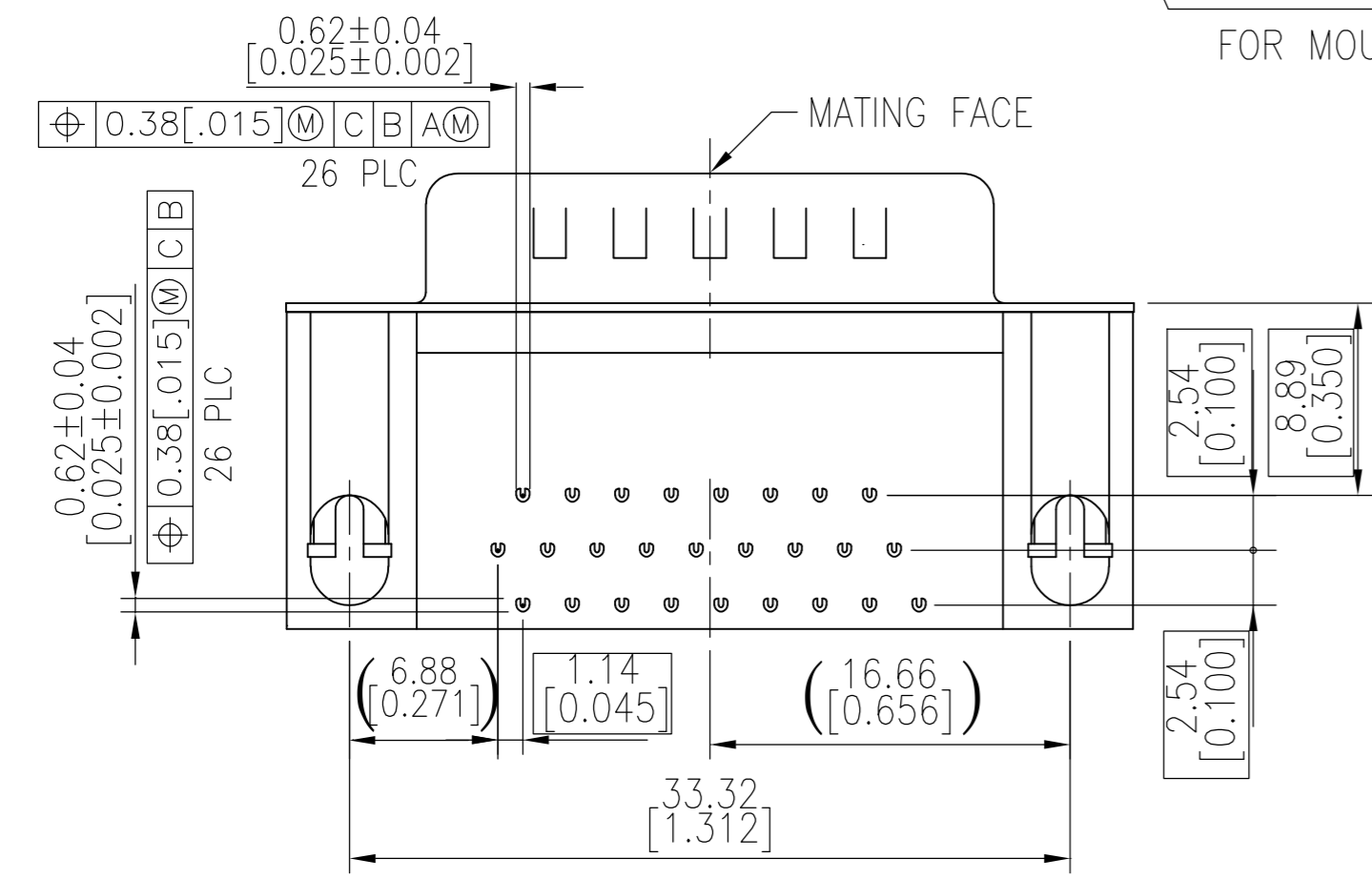
LOC		DIST		REVISIONS			
P	LTR	DESCRIPTION	DATE	DWN	APVD		
B2		REVISED PER ECO-15-011151	14DEC2015	AP	DG		



RECOMMENDED PCB LAYOUT



SEE TABLE FOR MOUNTING CONFIGURATION



DETAIL A

- HOUSING: PBT, BLACK, UL94V-0.
 - CONTACT: BRASS, GOLD PLATE IN THE MATING AREA (SEE TABLE), 120u" MINIMUM TIN PLATE ON THE SOLDER-TAIL BOTH OVER 50u" MINIMUM NICKEL UNDERPLATE.
 - SHELL: STEEL, NICKEL PLATE.
 - BOARDLOCK: BRASS, 100u" MINIMUM TIN PLATE
 - THREADED INSERT: BRASS, NICKEL PLATE
- △ FOUR DIGIT DATE CODE IN THIS FORMAT.
- YEAR 01 45 MANUFACTURING WEEK
- △ DATUMS -X- & -Y- TO BE ESTABLISHED BY CUSTOMER.

OBsolete	TRAY	DETAIL A	GOLD FLASH	5749769-3
OBsolete	TRAY	DETAIL A	15µ" MIN	5749769-2
	TRAY	DETAIL A	30µ" MIN	5749769-1
	PACKAGING	MOUNTING FLANGE CONFIG	CONTACT MATING AREA FINISH	PART NUMBER

THIS DRAWING IS A CONTROLLED DOCUMENT.

DWN	R. RICHARDSON	22APR2005		TE Connectivity PLUG ASSEMBLY, RIGHT ANGLE, 26 POSITION, HD-22, AMPLIMITE
CHK	S. BOLASH	22APR2005		
APVD	M. WALMSLEY	22APR2005		
PRODUCT SPEC				
MATERIAL	SEE NOTE	FINISH	WEIGHT	SCALE
			GRAMS	A2 00779 C=5749769
			CUSTOMER DRAWING	SHEET 1 OF 2

4

3

2

1

THIS DRAWING IS UNPUBLISHED. RELEASED FOR PUBLICATION
 © COPYRIGHT - By - ALL RIGHTS RESERVED.

LOC	DIST	REVISIONS			
P	LTR	DESCRIPTION	DATE	DWN	APVD
DW	-	SEE SHEET 1	-	-	-

NOTES:

- MATERIAL:
 - 1.1 TRAY: PVC
 - 1.2 SHIPPING CARTON: CORRUGATED FIBERBOARD
- DIMENSION:
 - 2.1 TRAY: L=32.0X23.0X1.89 CM
 - 2.2 SHIPPING CARTON: L=36.1X24.5X27.2 CM
- QUANTITY:
 - 3.1 PRIMARY PACKING: 80 PCS/TRAY
 - 3.2 SECONDARY PACKING: 10 TRAY/CARTON(800PCS)
- WEIGHT:
 - 4.1 NET WEIGHT: 9.54 Kg
 - 4.2 GROSS WEIGHT: 11.54 Kg

THIS DRAWING IS A CONTROLLED DOCUMENT.		DWN R. RICHARDSON 22APR2005				
DIMENSIONS: mm		CHK S. BOLASH 22APR2005				
TOLERANCES UNLESS OTHERWISE SPECIFIED:		APVD M WALMSLEY 22APR2005	NAME PLUG ASSEMBLY, RIGHT ANGLE, 26 POSITION, HD-22, AMPLIMITE			
0 PLC ± -		PRODUCT SPEC	SIZE	CAGE CODE	DRAWING NO	RESTRICTED TO
1 PLC ± 0.30		APPLICATION SPEC	A2	00779	C=5749769	-
2 PLC ± 0.20		WEIGHT	SCALE		SHEET	REV
3 PLC ± 0.10		- GRAMS	-		2 of 2	B2
4 PLC ± -		CUSTOMER DRAWING				
ANGLES ± 2°						
FINISH						
SEE NOTE						

1471-9 (3/11)

5749769