

HC-STA-RJ45CT-HS-M20-PLRBK - Connector set



1249557

<https://www.phoenixcontact.com/us/products/1249557>

Please be informed that the data shown in this PDF document is generated from our online catalog. Please find the complete data in the user documentation. Our general terms of use for downloads are valid.



Connector set, number of positions: 8, CAT6_A, material: PA, connection method: Crimp connection, connection cross section: AWG 24- 27, cable outlet: lateral, With RJ45 contact insert, with slotted seal

Your advantages

- Lower costs than metal version
- Labeling option using 9 x 20 mm marking label
- Low weight
- Lower risk of condensation

Commercial data

Item number	1249557
Packing unit	1 pc
Minimum order quantity	1 pc
Sales key	BF63
Product key	BF7AFX
GTIN	4063151355012
Weight per piece (including packing)	36.92 g
Weight per piece (excluding packing)	36.92 g
Customs tariff number	85366990
Country of origin	CN

HC-STA-RJ45CT-HS-M20-PLRBK - Connector set



1249557

<https://www.phoenixcontact.com/us/products/1249557>

Set consists of

HC-Q-I-RJ45-08-M - Contact insert

1077117

<https://www.phoenixcontact.com/us/products/1077117>

Contact insert, number of positions: RJ45, size: D7, type : RJ45, Pin, 50 V, 1 A, application: Data, With RJ45 contact insert



HC-STA-D07-HHFS-1SGM20-PL-BK - Housing

1419257

<https://www.phoenixcontact.com/us/products/1419257>

Sleeve housing D7, for single locking latch, material: PA, cable outlets: 1, lateral, M20, height: 54.5 mm, cable gland: with, Standard



1249557

<https://www.phoenixcontact.com/us/products/1249557>

Technical data

Notes

General	Connectors may be operated only when there is no load/voltage.
---------	--

Product properties

Type	D7
Product type	Connector set
Number of positions	8
Connection profile	RJ45
Application	Data
Type of the screw connection	1x M20
Type	RJ45
Series	HC-D
Cable outlet	lateral

Insulation characteristics

Overvoltage category	III
Degree of pollution	3

Electrical properties

Rated voltage (III/3)	50 V
Rated surge voltage	0.8 kV
Rated current	1 A
Nominal voltage U_N	50 V
Transmission characteristics (category)	CAT6 _A (IEC 60512-27-100:2008, TIA-568-C.2:2009)

Connection data

Connection method	Crimp connection
Connection cross section AWG	24 ... 27 (flexible)

Material specifications

Flammability rating according to UL 94	V0
Seal material	NBR
Contact material	Copper alloy
Contact surface material	Au
Contact carrier material	PC
Impact strength	IK06
Housing material	PA

Cable/line

External cable diameter ()	5 mm ... 6 mm
-----------------------------	---------------

Mechanical properties

HC-STA-RJ45CT-HS-M20-PLRBK - Connector set



1249557

<https://www.phoenixcontact.com/us/products/1249557>

Mechanical data

Type of the screw connection	1x M20
------------------------------	--------

Environmental and real-life conditions

Ambient conditions

Degree of protection	IP66
Impact strength	IK06
Ambient temperature (operation)	-25 °C ... 60 °C

Mounting

Mounting type	Latching with lower housing part
Connection method	Crimp connection

HC-STA-RJ45CT-HS-M20-PLRBK - Connector set

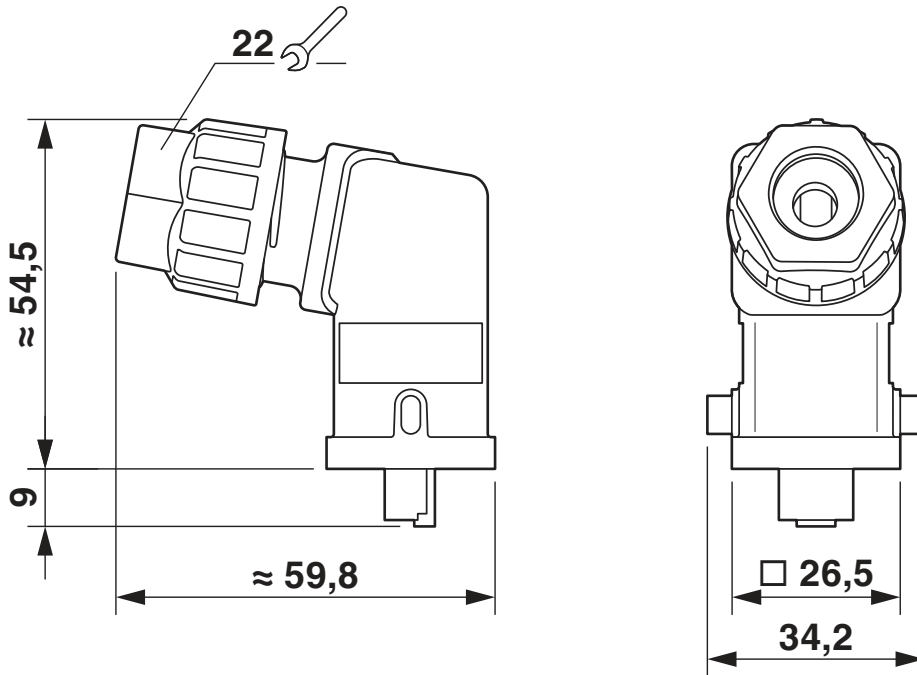


1249557

<https://www.phoenixcontact.com/us/products/1249557>

Drawings

Dimensional drawing



Dimensional drawing

HC-STA-RJ45CT-HS-M20-PLRBK - Connector set



1249557

<https://www.phoenixcontact.com/us/products/1249557>

Classifications

ECLASS

ECLASS-11.0	27440101
ECLASS-12.0	27440113
ECLASS-13.0	27440113

ETIM

ETIM 8.0	EC002636
----------	----------

UNSPSC

UNSPSC 21.0	39121400
-------------	----------

HC-STA-RJ45CT-HS-M20-PLRBK - Connector set



1249557

<https://www.phoenixcontact.com/us/products/1249557>

Environmental product compliance

China RoHS	Environmentally friendly use period: unlimited = EFUP-e
	No hazardous substances above threshold values

HC-STA-RJ45CT-HS-M20-PLRBK - Connector set



1249557

<https://www.phoenixcontact.com/us/products/1249557>

Accessories

HC-STA-RJ45GC-BWSC-PLRBK - Connector set

1249559

<https://www.phoenixcontact.com/us/products/1249559>

Connector set, number of positions: 8, CAT6, material: PA, Gender changer



HC-STA-RJ45GC-BWSC-ELAL - Connector set

1249560

<https://www.phoenixcontact.com/us/products/1249560>

Connector set, number of positions: 8, CAT6, material: Die-cast aluminum, salt water resistant, Gender changer



Phoenix Contact 2023 © - all rights reserved

<https://www.phoenixcontact.com>

Phoenix Contact USA

586 Fulling Mill Road

Middletown, PA 17057, United States

(+717) 944-1300

info@phoenixcon.com