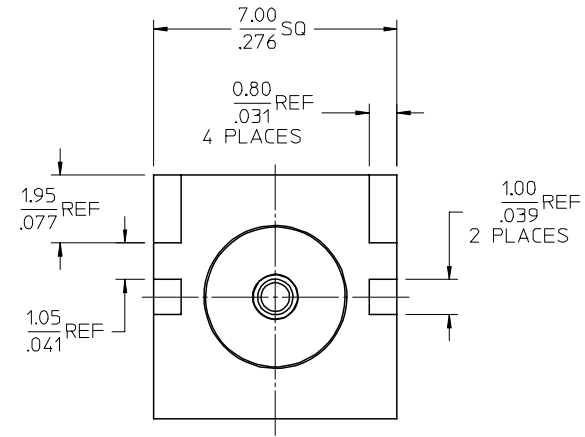
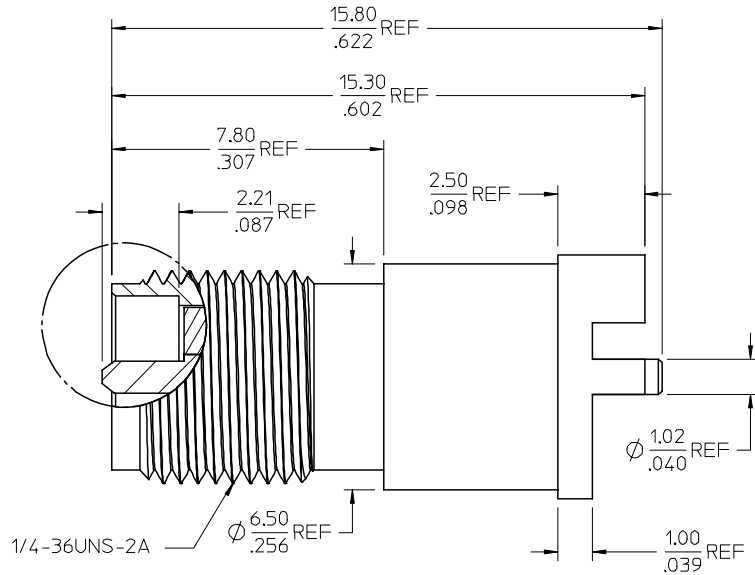
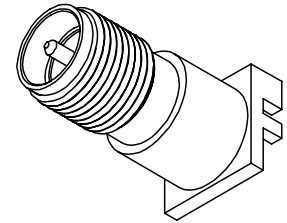


MATERIAL&FINISH
 BODY: BRASS
 PLATED GOLD
 MALE PIN : BRASS
 PLATED GOLD
 INSULATOR
 TEFLON

PACKING: TRAY



NEW RELEASED EWR: REF 2006-04-55 CHFKD: 2006/04/21 APPR: MJIANG 2006/04/21 REV	QUALITY SYMBOLS	GENERAL TOLERANCES (UNLESS SPECIFIED)	DIMENSION STYLE	SCALE	DESIGN UNITS	THIRD ANGLE PROJECTION															
	$\nabla=0$ $\nabla=0$	<table border="1"> <thead> <tr> <th></th> <th>mm</th> <th>INCH</th> </tr> </thead> <tbody> <tr> <td>4 PLACES</td> <td>± .13</td> <td>± .005</td> </tr> <tr> <td>3 PLACES</td> <td>± .13</td> <td>± .005</td> </tr> <tr> <td>2 PLACES</td> <td>± 0.13</td> <td>± .005</td> </tr> <tr> <td>1 PLACE</td> <td>± 0.25</td> <td>± .010</td> </tr> </tbody> </table>		mm	INCH	4 PLACES	± .13	± .005	3 PLACES	± .13	± .005	2 PLACES	± 0.13	± .005	1 PLACE	± 0.25	± .010	MM/IN	8:1	METRIC	
		mm	INCH																		
	4 PLACES	± .13	± .005																		
3 PLACES	± .13	± .005																			
2 PLACES	± 0.13	± .005																			
1 PLACE	± 0.25	± .010																			
<table border="1"> <thead> <tr> <th>DATE</th> <th>BY</th> </tr> </thead> <tbody> <tr> <td>2006/4/13</td> <td>DARRY</td> </tr> <tr> <td>2006/4/13</td> <td>JOANNE</td> </tr> <tr> <td>2006/4/13</td> <td>MISEN</td> </tr> </tbody> </table>	DATE	BY	2006/4/13	DARRY	2006/4/13	JOANNE	2006/4/13	MISEN	DRAWN BY DATE CHECKED BY DATE APPROVED BY DATE		TITLE SMA JACK EDGE LAUNCHER POLARIZED SMA-J/PCB										
DATE	BY																				
2006/4/13	DARRY																				
2006/4/13	JOANNE																				
2006/4/13	MISEN																				
	DRAFT WHERE APPLICABLE MUST REMAIN WITHIN DIMENSIONS		MATERIAL NO.	DOCUMENT NO.		SHEET NO.															
			733910100	SD-73391-010		1 OF 1															