



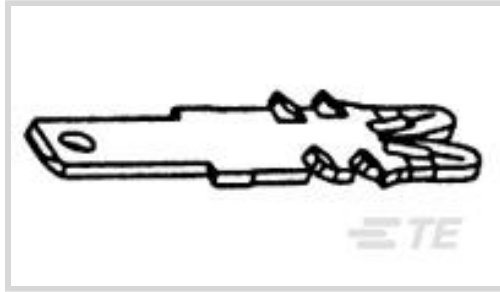
SIAMEZE

TE Internal #: 1601106-2

Magnet Wire Terminals, Tab, Mating Tab Width .118 in [3 mm], .16 – 1.02 mm Magnet Wire, 34 – 18 AWG Magnet Wire, SIAMEZE

[View on TE.com >](#)

Terminals & Splices > Magnet Wire Terminals



Magnet Wire Terminal Type: **Tab**

Mating Tab Width: **3 mm [.118 in]**

Mating Tab Thickness: **.64 mm [.025 in]**

Magnet Wire Size: **.16 – 1.02 mm**

Features

Product Type Features

Compatible With Discrete Wire Type	Magnet Wire, Solid
------------------------------------	--------------------

Contact Features

Magnet Wire Terminal Type	Tab
Mating Tab Width	3 mm [.118 in]
Mating Tab Thickness	.64 mm [.025 in]
Terminal Plating Material	Tin
Contact Underplating Material	Copper
Terminal Orientation	Straight

Termination Features

Termination Method to Wire & Cable	Insulation Displacement (IDC)
------------------------------------	-------------------------------

Mechanical Attachment

Mating Retention Type	Barbs
-----------------------	-------

Dimensions

Terminal Height	7.7 mm [.303 in]
Magnet Wire Size	.16 – 1.02 mm
Stock Thickness (Magnet Wire Side)	.5 mm [.02 in]
Product Length	24.18 mm [.951 in]

Usage Conditions

Insulation Option	Uninsulated
-------------------	-------------



Operation/Application

Compatible With Wire Base Material	Copper
------------------------------------	--------

Packaging Features

Packaging Method	Reel
------------------	------

Product Compliance

[For compliance documentation, visit the product page on TE.com>](#)

EU RoHS Directive 2011/65/EU	Compliant
EU ELV Directive 2000/53/EC	Compliant
China RoHS 2 Directive MIIT Order No 32, 2016	No Restricted Materials Above Threshold
EU REACH Regulation (EC) No. 1907/2006	Current ECHA Candidate List: JUNE 2023 (235) Candidate List Declared Against: JAN 2023 (233) Does not contain REACH SVHC
Halogen Content	Low Halogen - Br, Cl, F, I < 900 ppm per homogenous material. Also BFR/CFR/PVC Free
Solder Process Capability	Not applicable for solder process capability

Product Compliance Disclaimer

This information is provided based on reasonable inquiry of our suppliers and represents our current actual knowledge based on the information they provided. This information is subject to change. The part numbers that TE has identified as EU RoHS compliant have a maximum concentration of 0.1% by weight in homogenous materials for lead, hexavalent chromium, mercury, PBB, PBDE, DBP, BBP, DEHP, DIBP, and 0.01% for cadmium, or qualify for an exemption to these limits as defined in the Annexes of Directive 2011/65/EU (RoHS2). Finished electrical and electronic equipment products will be CE marked as required by Directive 2011/65/EU. Components may not be CE marked. Additionally, the part numbers that TE has identified as EU ELV compliant have a maximum concentration of 0.1% by weight in homogenous materials for lead, hexavalent chromium, and mercury, and 0.01% for cadmium, or qualify for an exemption to these limits as defined in the Annexes of Directive 2000/53/EC (ELV). Regarding the REACH Regulation, the information TE provides on SVHC in articles for this part number is based on the latest European Chemicals Agency (ECHA) 'Guidance on requirements for substances in articles' posted at this URL: <https://echa.europa.eu/guidance-documents/guidance-on-reach>

Compatible Parts

 <p>TE Part # 1601112-2 131-187-014=TAB,110X032,STDMSZ</p>	 <p>TE Part # 1601033-3 STD SMZ 187X020 BARB TAB TERM</p>	 <p>TE Part # 1601008-2 131-017-014=TAB,118X025,STDMSZ</p>	 <p>TE Part # 1601051-2 131-113-014=TAB,118X032,STDMSZ</p>
---	--	---	---




TE Part # 1601104-2
131-175-021=TAB,071X025,STD,SMZ



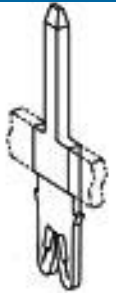
TE Part # 1601119-2
118X.025 TAB FINE WIRE SIAMEZE



TE Part # 1601149-2
159-019-014=REC,250X020,MMDSMZ



TE Part # 1601193-2
.025 SQ OFFSET PIN STD SMZ



TE Part # 2-1601104-2
131-176-021=TAB,071X025,STD,SMZ



TE Part # 2-1601119-2
118X025 TAB FINE WIRE SIAMEZE



TE Part # 2-1601149-2
159-020-014=REC,250X020,MMDSMZ



TE Part # 2-1601197-2
.118X.025 MULTI-BARB STD SMZ



TE Part # 2-1601243-2
TAB,.118 X .020,STD,SMZ



TE Part # 3-1601008-2
.118 X .025 TAB STD SIAMEZE




TE Part # 4-1601197-2
.118X.025 MULTI-BARB STD SMZ



TE Part # 5-1601008-2
.118 X .025 TAB STD SIAMEZE

Also in the Series | **SIAMEZE**



Insertion & Extraction Tools(1)



Magnet Wire Terminals(196)

Customers Also Bought



TE Part #2-1393243-4
RTE25524



TE Part #964339-1
MAG MATE KONT. MKII



TE Part #1-1546111-0
EUROSTYLE TB,HEADER,GREY,10POS



TE Part #5822138-4
80 ME .050 L/P AU M/L PB-FREE



Documents

Product Drawings

[131-177-014=TAB,118X025,STDSMZ](#)

English

[131-177-014=TAB,118X025,STDSMZ](#)

English

CAD Files

[3D PDF](#)

3D

Customer View Model

[ENG_CVM_CVM_1601106-2_C.2d_dxf.zip](#)

English

Customer View Model

[ENG_CVM_CVM_1601106-2_C.3d_igs.zip](#)

English

Customer View Model

[ENG_CVM_CVM_1601106-2_C.3d_stp.zip](#)

English

By downloading the CAD file I accept and agree to the [Terms and Conditions](#) of use.

Datasheets & Catalog Pages

[Magnet Wire Terminals & Splices](#)

English

Product Specifications

[Application Specification](#)

English

Product Environmental Compliance

[Product Compliance](#)

English

[Product Compliance](#)

English