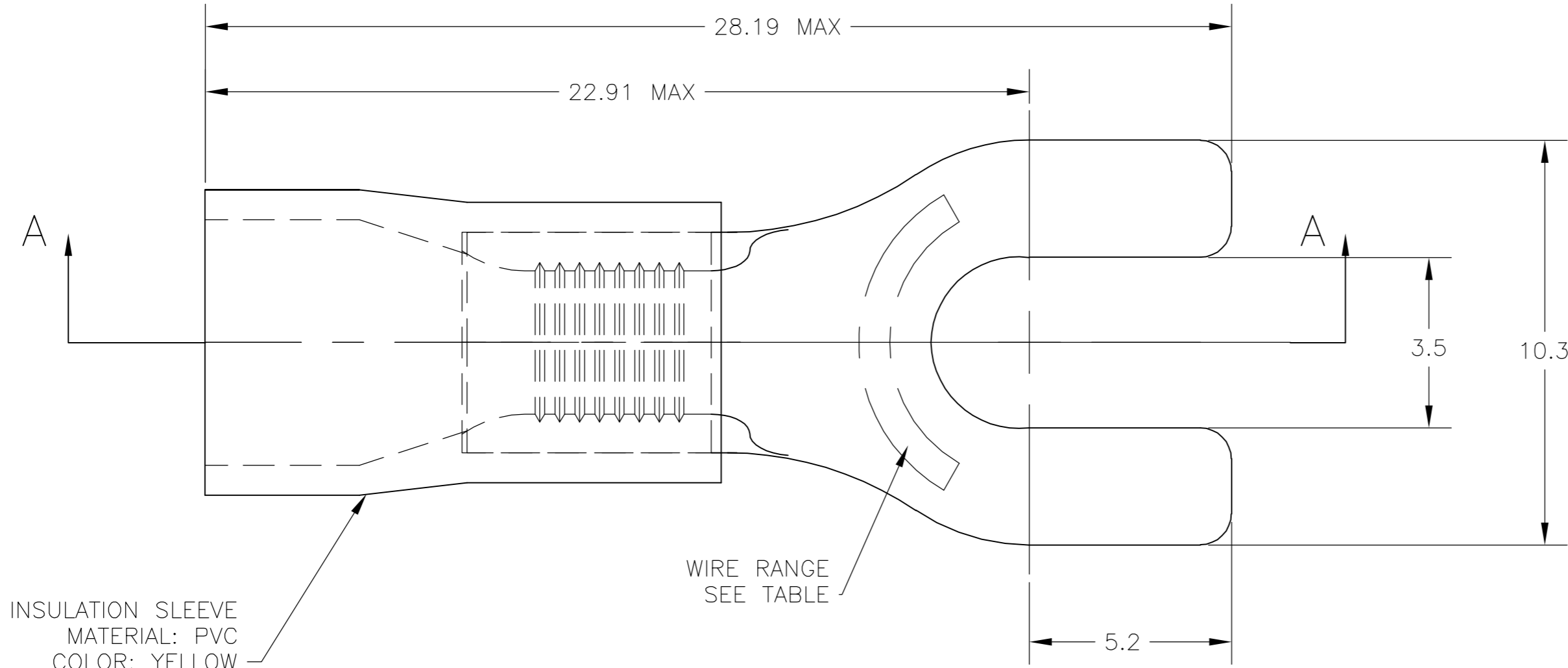
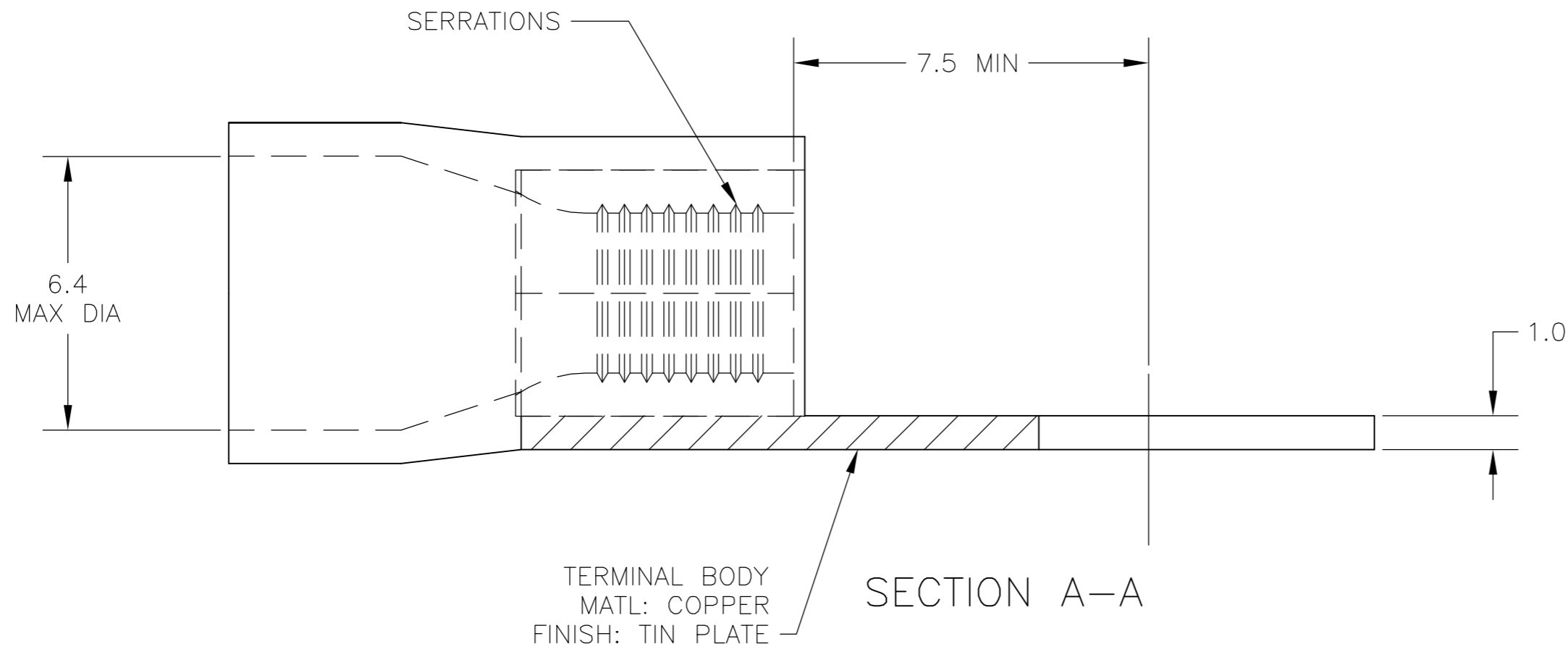


THIS DRAWING IS UNPUBLISHED. RELEASED FOR PUBLICATION
 © COPYRIGHT BY TYCO ELECTRONICS CORPORATION. ALL RIGHTS RESERVED.

LOC	DIST	REVISIONS					
		P	LTR	DESCRIPTION	DATE	DWN	APVD
G	02						
		G2		REV PER ECR-07-000835	12JAN07	JR	TM



- △1 SUPERSEDED BY 342197-1
- △2 OBSOLETE - NO REPLACEMENT



POLY BAG WITH HEADER	STANDARD	50	△1	7-342197-1
PLASTIC BOX	STANDARD	50	△1	6-342197-1
TAPED MOUNTED	STANDARD	2500	△2	2-342197-1
PLASTIC BAG	STANDARD	500		342197-1
PACKAGING	LABELLING	QTY RED		PART NO.

THIS DRAWING IS A CONTROLLED DOCUMENT.		DWN jr ruth 07AUG03	Tyco Electronics Corporation Harrisburg, Pa 17105-3608	
DIMENSIONS: INCHES		CHK T MICHIELUTTI 07AUG03		
TOLERANCES UNLESS OTHERWISE SPECIFIED:		APVD T MICHIELUTTI 07AUG03	NAME TERMINAL, SPADE, PLASTI-GRIP, WIRE SIZE: 12-10 AWG	
0 PLC ± - 1 PLC ± 0.5 2 PLC ± - 3 PLC ± - 4 PLC ± - ANGLES ± 1°		PRODUCT SPEC -	RESTRICTED TO -	
MATERIAL		APPLICATION SPEC -	SIZE A2	CAGE CODE 00779
FINISH		WEIGHT -	DRAWING NO C=342197	
		CUSTOMER DRAWING	SCALE 5:1	SHEET 1 OF 1
			REV G2	