

Technical specification :

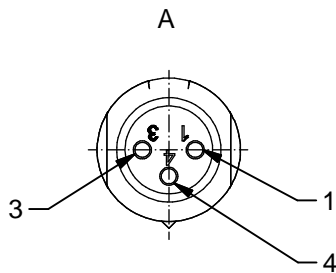
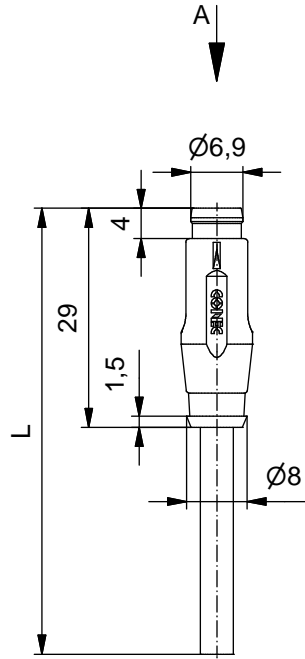
Rated voltage: IEC 61076-2-104	50 V AV / 60 V DC
Current rating: IEC 61076-2-104	3 A bei 40°C
Insulation resistance: IEC 60512	>=100 MΩ
Pollution degree: IEC 60664-1	3/2
Degree of protection: IEC 60529	IP 67, in mated condition
Temperature range: EN 60512-11-10 EN 60512-11-4	-25°C ... +80°C -40°C -40°C ... +85°C
Mating cycles: IEC 60512-9a	>=100

Cable specification:

Temperatur range: static	-25°C ... +80°C
flexible	-5°C ... +80°C

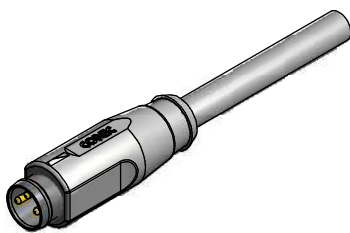
Materials:

Contact:	CuZn, Ni3 Au 0,2 gal.
Contact carrier:	PA, UL 94 V-0
Moulding body:	TPU, UL 94 HB, grey



Contact assignment:

- 1 ■ brown
- 3 ■ blue
- 4 ■ black



Part no:	Description:	Length L:	Cable:
42-10532	SAL - 8 - RSS3 - 2 / A1	2m	PVC, grey, 3x0,25mm ² Cable: 781-A12300
42-10746	SAL - 8 - RSS3 - 3 / A1	3m	
42-10747	SAL - 8 - RSS3 - 5 / A1	5m	
42-10748	SAL - 8 - RSS3 - 10 / A1	10m	
42-xxxxx	SAL - 8 - RSS3 - ... / A1	x	

DO NOT ALTER CAD DRAWING BY HAND RoHS & REACH compliant	Index: c 03.12.15 fro Ä5899 technical specificationan materials changed	dim. in mm	title: <h3 style="text-align: center; margin: 0;">Male connector Ø8 axial, snap</h3>	
	tolerance of cable: L ≤ 4m: L + 40mm L > 4m: L + 1%	drawn 23.09.09	Fromm	
	general tolerance: 0 ± 0,50mm 0,0 ± 0,25mm 0,00 ± 0,10mm + ± 5°	appd. 23.09.09	Mankopf	
	THIS DRAWING MAY NOT BE COPIED OR REPRODUCED IN ANY WAY, AND MAY NOT BE PASSED ON TO A THIRD PARTY WITHOUT WRITTEN PERMISSION. OWNERSHIP AND COPYRIGHT OF CONEC GmbH			dwg no: <h2 style="text-align: center; margin: 0;">42K1A141</h2>
			part no:	