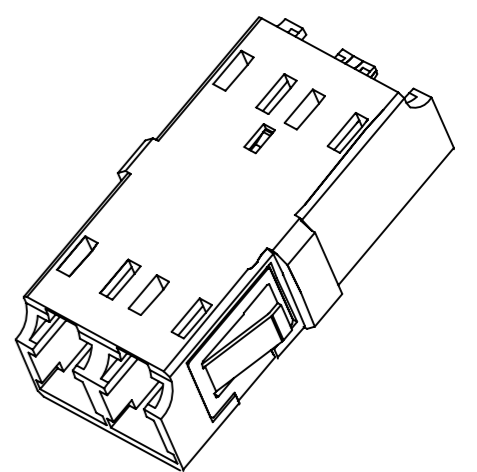
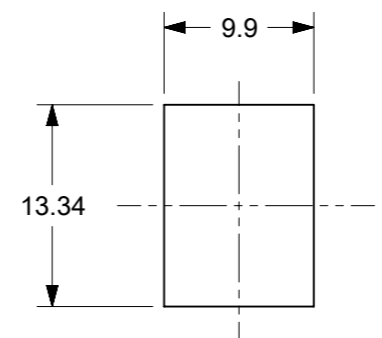
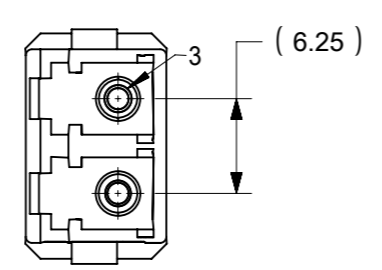
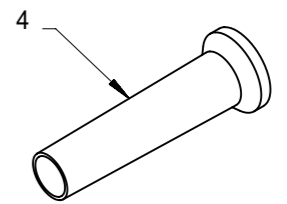
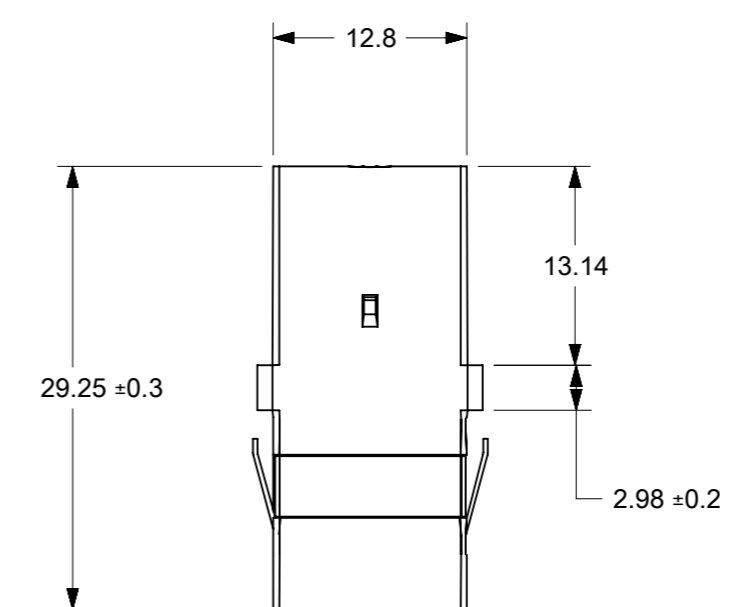
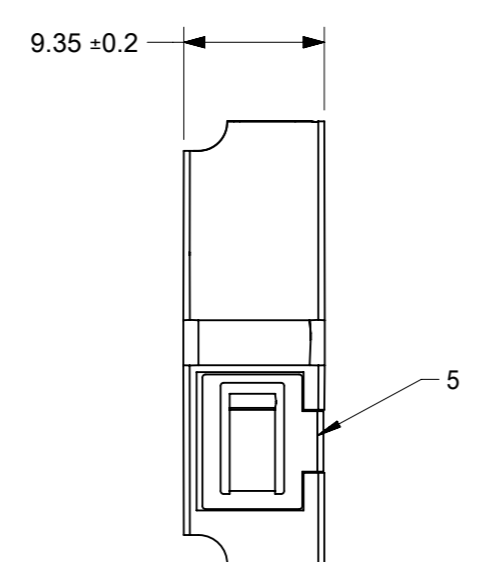
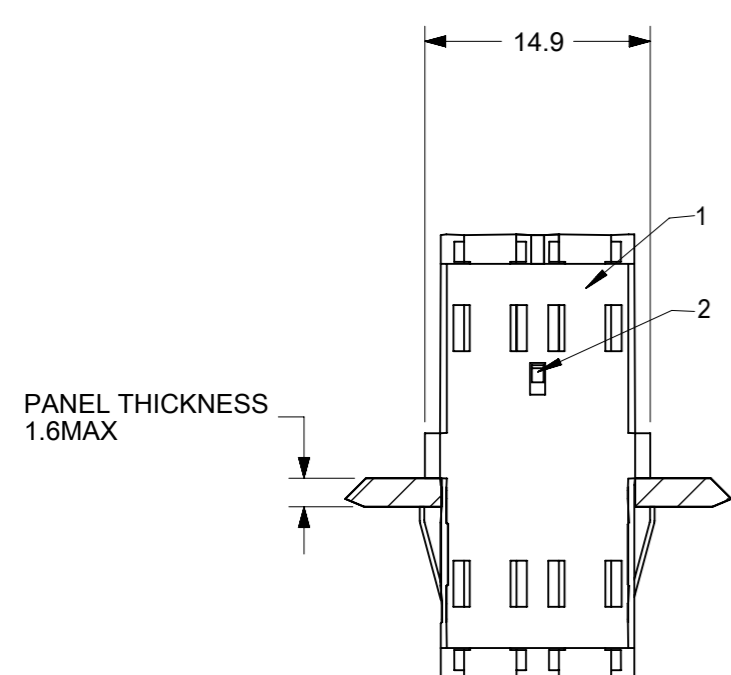


MX PN	COLOR
885360678	BLUE
885362207	AQUA



RECOMMENDED MOUNTING CUTOUT
FOR 1.6mm THICK PANEL

ISO VIEW



DUST CAP ISOMETRIC VIEW.
4 PIECES INCLUDE

PANEL THICKNESS
1.6MAX

Item No	Description	Material	Qty
5	MOUNTING PLATE	STAINLESS	1
4	LC ADAPTER DUST CAP	TPP	4
3	LC ADAPTER SLEEVE	Zr	2
2	LC ADAPTER INSERT	PEI	1
1	LC DUPLEX ADAPTER SHEEL	PEI	1

- NOTES:
- ALL DIMENSIONS ARE FOR REFERENCE ONLY.
 - PRODUCT IS EU 2002/95/EC COMPLIANT
 - FLAMMABILITY OF ADAPTER SHELL, INSERT AND DUST CAP ARE UL94 V-0

THIS DRAWING CONTAINS INFORMATION THAT IS PROPRIETARY TO MOLEX ELECTRONIC TECHNOLOGIES, LLC AND SHOULD NOT BE USED WITHOUT WRITTEN PERMISSION

DIMENSION UNITS mm	SCALE 1:1	CURRENT REV DESC: OBSOLETE PART NUMBERS AS PER PCN#506884	molex		
GENERAL TOLERANCES (UNLESS SPECIFIED)		EC NO: 662763			
ANGULAR TOL ± 0.5°	4 PLACES ±	DRWN: SKANDB 2021/01/19	PRODUCT CUSTOMER DRAWING		
3 PLACES ±	2 PLACES ± 0.2	CHK'D: GGA 2021/06/01	DOCUMENT NUMBER		
1 PLACE ±	0 PLACES ±	APPR: GGA 2021/06/01	SD-88536-155		
DRAFT WHERE APPLICABLE MUST REMAIN WITHIN DIMENSIONS		INITIAL REVISION: DRWN: SDIXIE 2017/09/27 APPR: HXZOU 2017/09/28	DOC TYPE PSD	DOC PART 001	REVISION A4
THIRD ANGLE PROJECTION		DRAWING A3-SIZE	SERIES 88536	MATERIAL NUMBER SEE TABLE	CUSTOMER GENERAL MARKET
		SHEET NUMBER 1 OF 1			

DOCUMENT STATUS	P1	RELEASE DATE	2021/06/01	13:36:51
-----------------	----	--------------	------------	----------