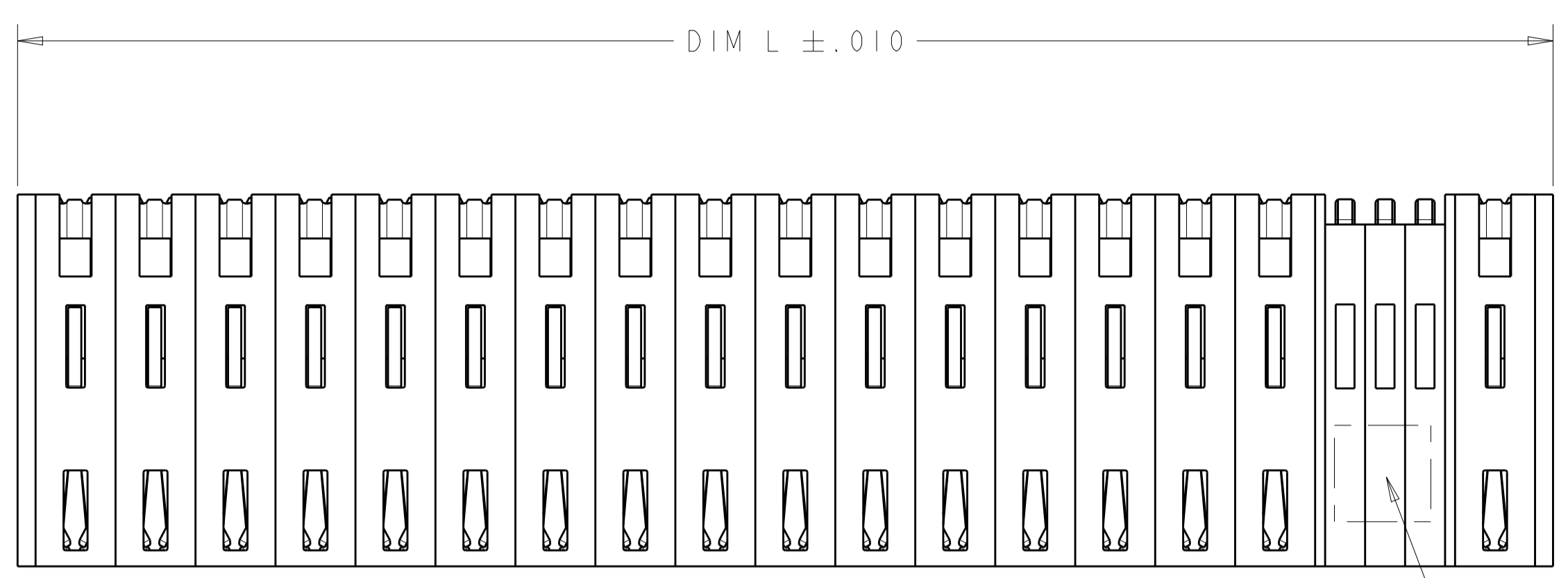
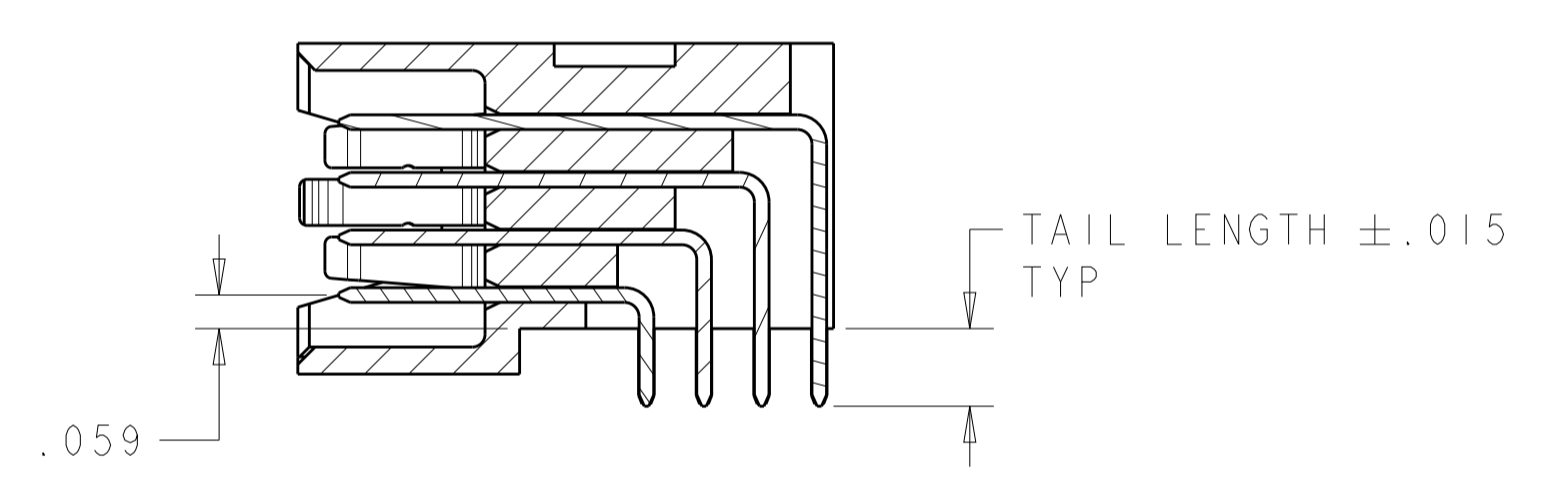
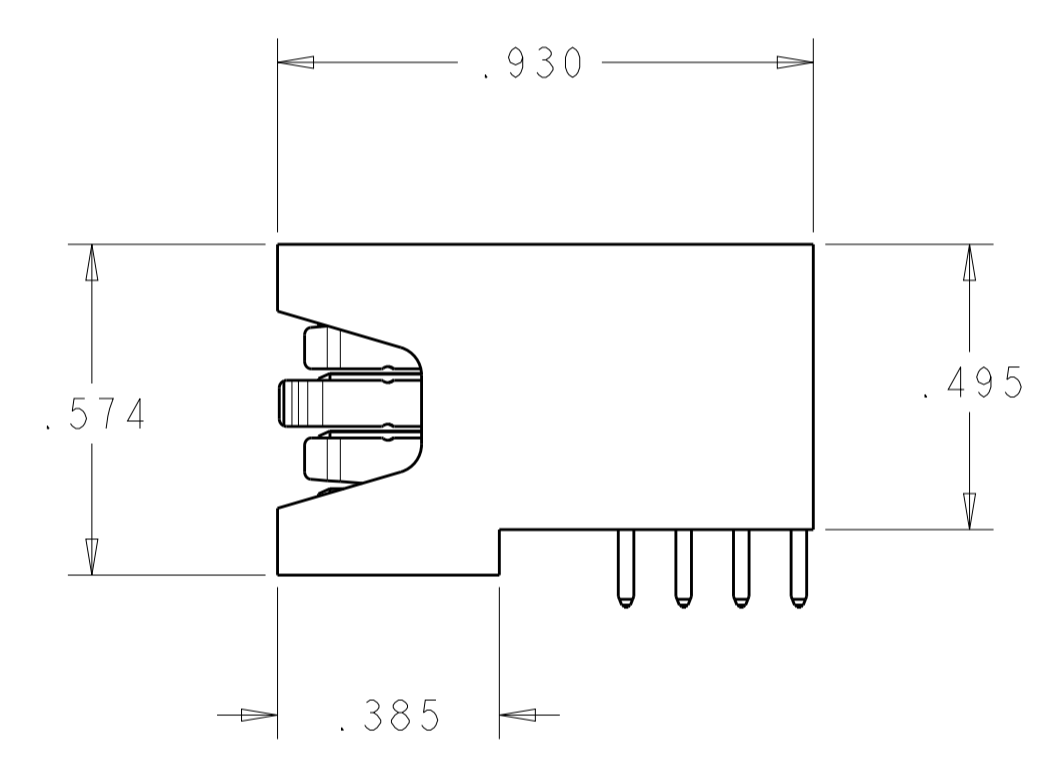
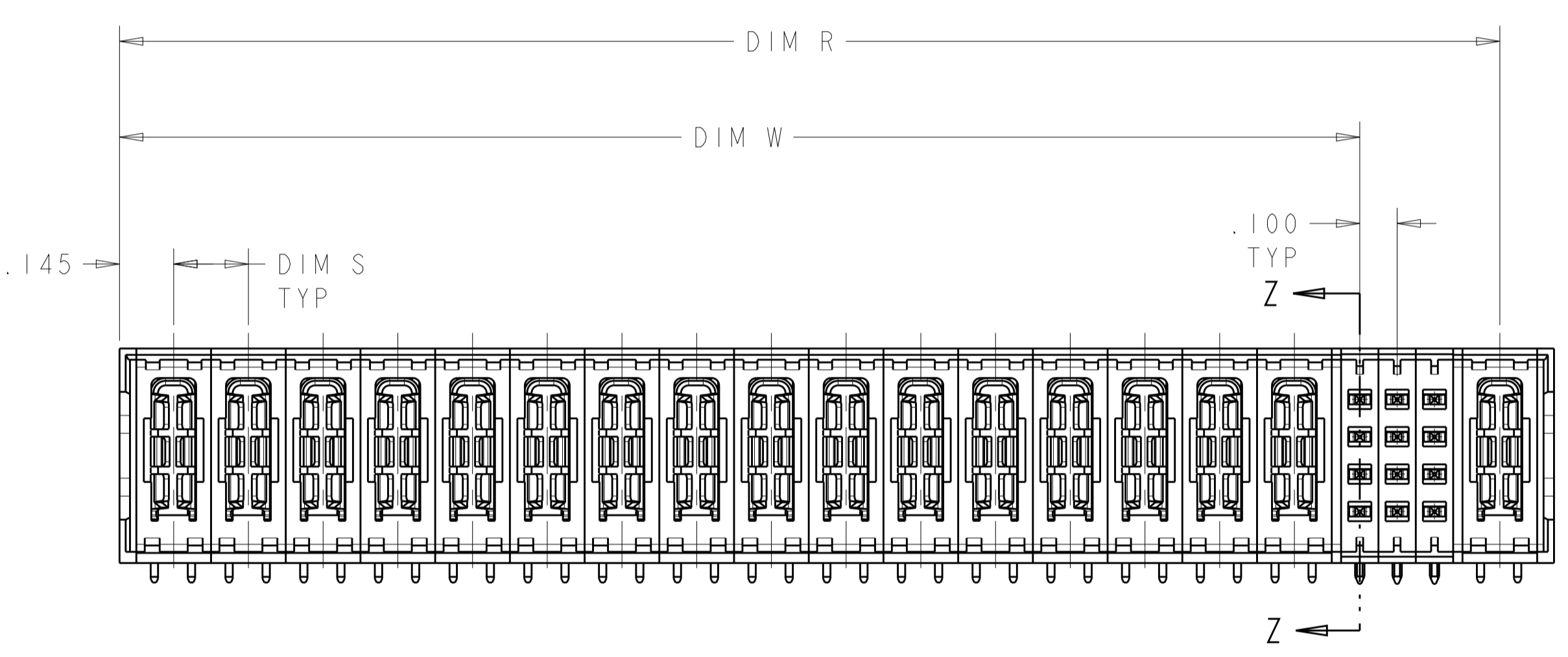


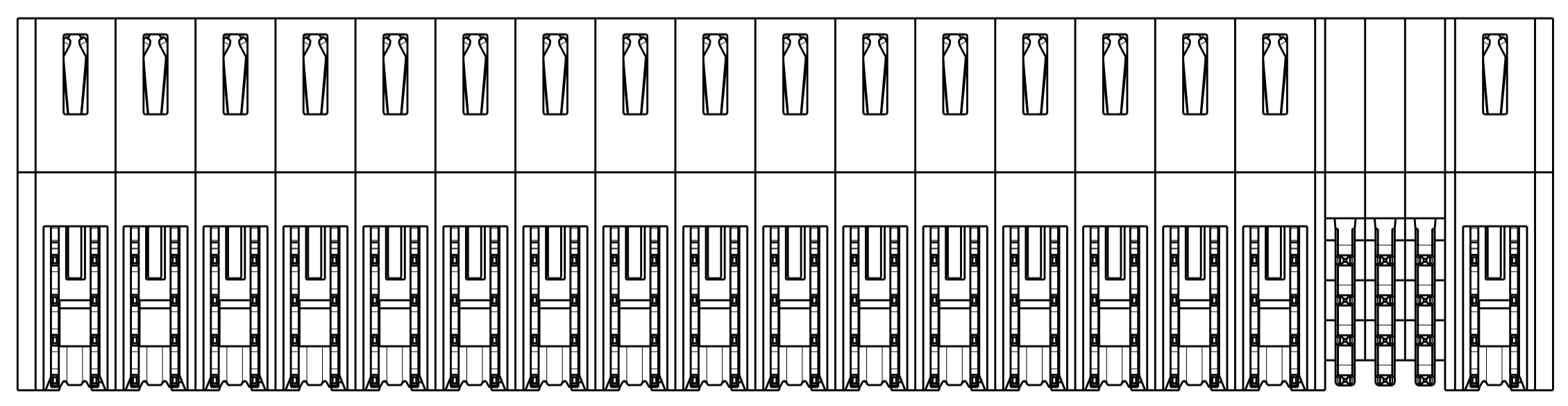
LOC	DIST	REVISIONS					
		P	LTN	DESCRIPTION	DATE	DMN	APVD
ES	00	A1		ADDED DASH NUMBER -6	2NOV2011	LW	SZ



- △ "AMP" PART NUMBER AND DATE CODE TO BE MARKED IN AREA SHOWN. PARTS 2.00 OR LESS MAYBE MARKED ON BOTH SIDES.
- △ MATERIAL: HOUSING - GLASS FILLED HIGH TEMP THERMO PLASTIC, UL94 V-0
POWER CONTACT - HIGH CONDUCTIVITY COPPER ALLOY
- △ CONTACT PLATING: NOBLE METAL PLATING ON CONTACT FUNCTIONAL AREA OF POWER AND SIGNAL CONTACTS
- △ MECHANICAL CONNECTOR KEEP OUT ZONE
- △ DATUM AND BASIC DIMENSIONS ESTABLISHED BY CUSTOMER
- △ PCB - ALL HOLE DIMENSIONS ARE FINISHED HOLE SIZES
- △ PCB - .0453±.0010 DRILLED HOLES. PLATED WITH .0003 MIN Sn OVER .001 TO .003 Cu PLATING TO ACHIEVE A .040 DIA. HOLE
- △ PLEASE REFER TO PARTS VIEW FOR DETAIL DIMENTIONS.



SECTION Z-Z



DIM S	DIM R	DIM W	DIM K	DIM L	DESCRIPTION	PART NUMBER
-	-	-	-	-	2ACP+8S+4ACP+16S+2ACP+12S+2ACP	6450839-6
-	-	-	-	-	12P	6450839-4
-	-	-	-	-	44S+14P+40S	6450839-3
-	-	-	-	-	4S+17HDP+8S	6450839-2
-	-	-	-	-	8S+27P+8S	6450839-1

THIS DRAWING IS A CONTROLLED DOCUMENT. DWN T. YU 15OCT2008
 CHK S. ZHAO 15OCT2008
 APVD S. YAO

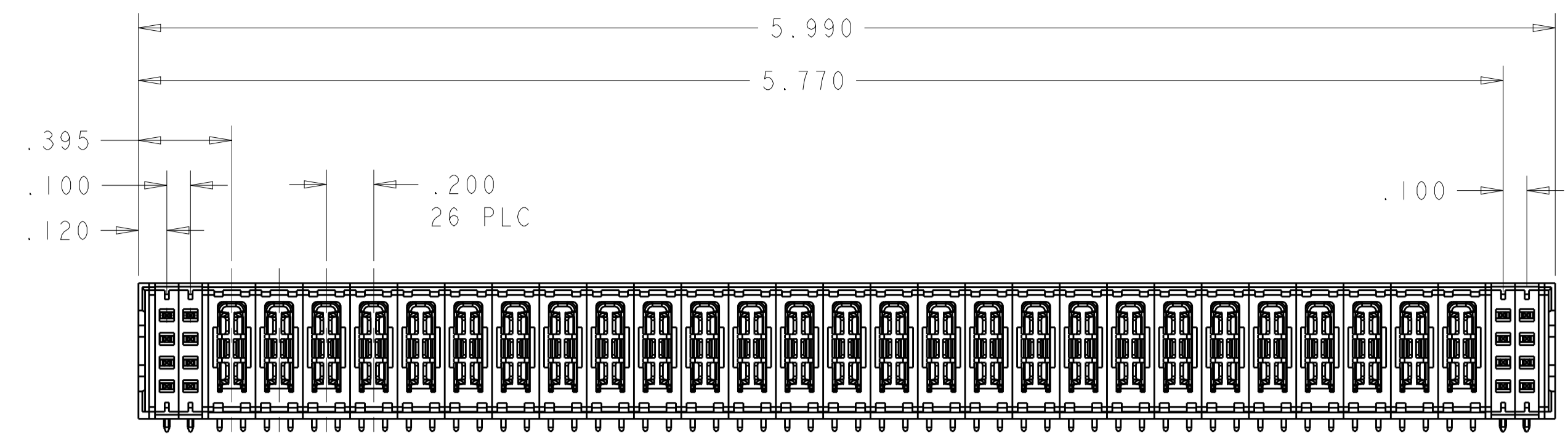
STE TE Connectivity

R/A HEADER ASSEMBLY
 GUIDELESS
 MULTI-BEAM XLE

NAME: R/A HEADER ASSEMBLY GUIDELESS MULTI-BEAM XLE
 PRODUCT SPEC: 108-2292
 APPLICATION SPEC: 114-13038
 SIZE: A1 CAGE CODE: 6450839 DRAWING NO: 114-13038
 WEIGHT: -
 RESTRICTED TO: -

CUSTOMER DRAWING SCALE: 4:1 SHEET: 1 OF 5 REV: A2

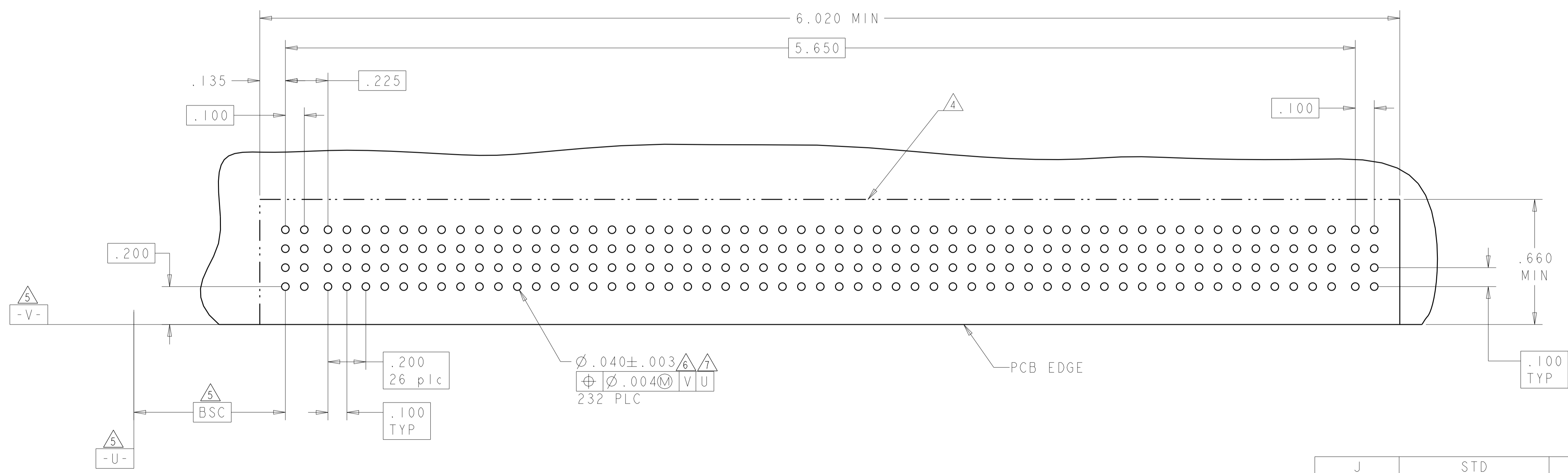
LOC	DIST	REVISIONS			
P	LTN	DESCRIPTION	DATE	DMN	APVD
ES	00	SEE SHEET 1	-	-	-



PART NUMBER: 6450839-1

PART NUMBER	ROWS	SIGNAL		POWER																								SIGNAL				
		1	2	P1	P2	P3	P4	P5	P6	P7	P8	P9	P10	P11	P12	P13	P14	P15	P16	P17	P18	P19	P20	P21	P22	P23	P24	P25	P26	P27	3	4
6450839-1	D	J	J																												J	J
	C	K	K	TM	TM	TM	TM	TM	TM	TM	TM	TM	TM	TM	TM	TM	TM	TM	TM	TM	TM	TM	TM	TM	TM	TM	TM	TM	TM	K	K	
	B	N	N																											N	N	
	A	S	S																											S	S	

8S + 27P + 8S



CODE	MATING SEQUENCE	TAIL LENGTH	ROW
J	STD	.135"	D
K	STD	.135"	C
N	STD	.135"	B
S	STD	.135"	A

SIGNAL CONTACT

TM	STD .135 TAIL LENGTH, SOLDER TAIL
CODE	TAIL LENGTH
	POWER CONTACT

THIS DRAWING IS A CONTROLLED DOCUMENT.

DMN: T. YU 15OCT2008
CHK: S. ZHAO 15OCT2008
APVD: S. YAO

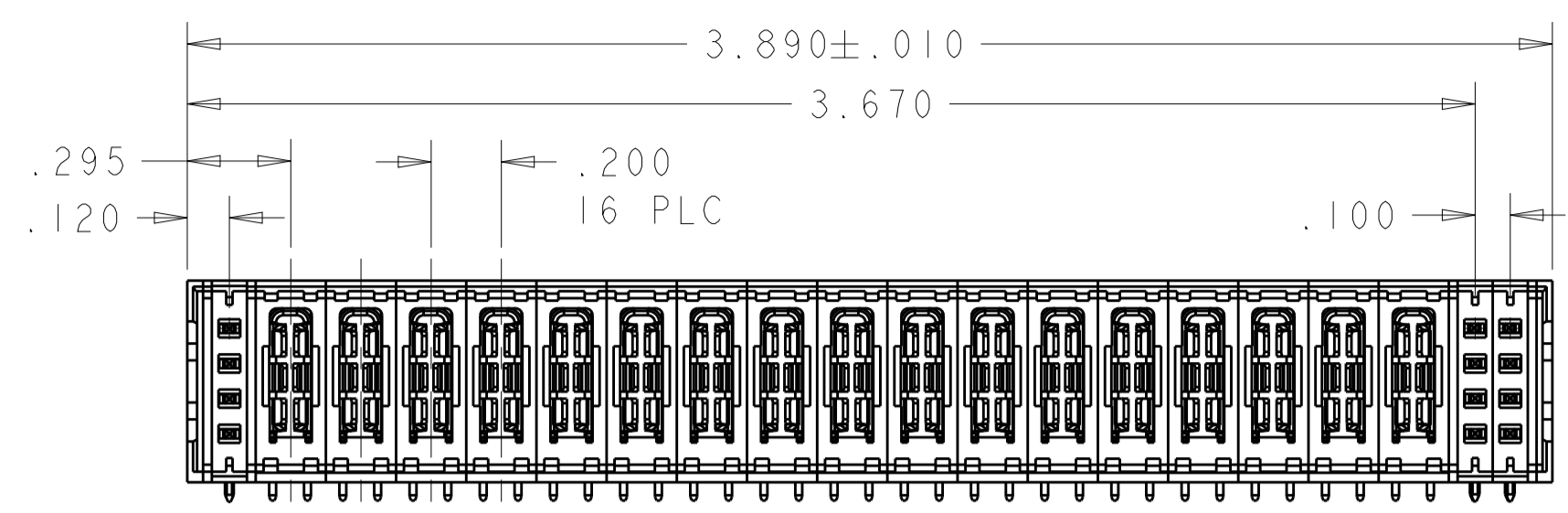
TE Connectivity

R/A HEADER ASSEMBLY
GUIDELESS
MULTI-BEAM XLE

SIZE: A1 CAGE CODE: 6450839 DRAWING NO: 114-13038

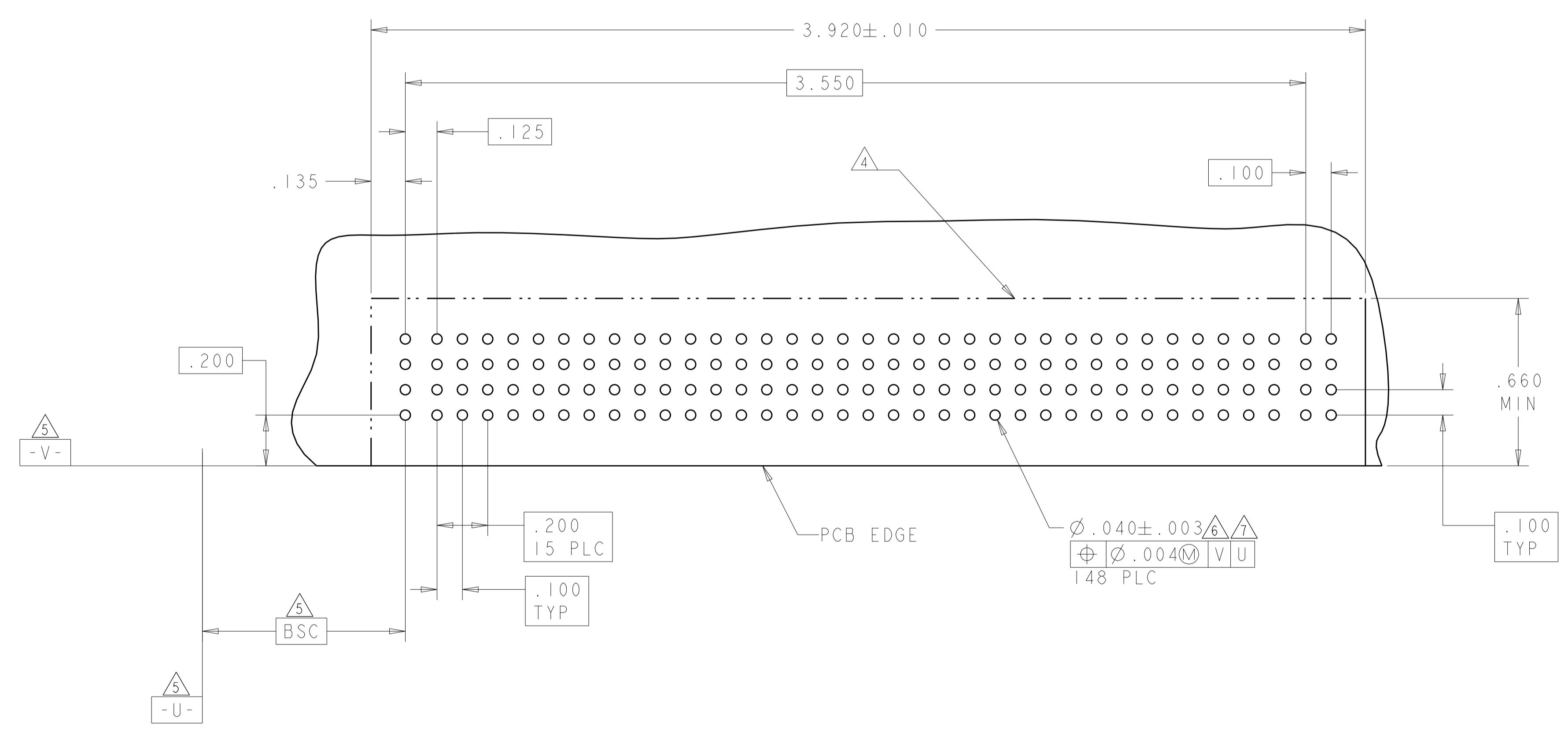
SCALE: 4:1 SHEET: 2 OF 5 REV: A2

LOC	DIST	REVISIONS			
ES	00	REV	DATE	BY	APPV
		-	SEE SHEET 1	-	-



PART NUMBER: 6450839-2

PART NUMBER	ROWS	S	POWER															SIGNAL			
			I	P1	P2	P3	P4	P5	P6	P7	P8	P9	P10	P11	P12	P13	P14	P15	P16	P17	2
6450839-2	D	J																		J	J
	C	K																		K	K
	B	N	TM	TM	TM	TM	TM	TM	TM	TM	TM	TM	TM	TM	TM	TM	TM	TM	TM	N	N
	A	S																		S	S
4S + 17HDP + 8S																					



THIS DRAWING IS A CONTROLLED DOCUMENT.

DW	T. YU	15OCT2008
CHK	S. ZHAO	15OCT2008
APPV	S. YAO	-

TE Connectivity

R/A HEADER ASSEMBLY
GUIDELESS
MULTI-BEAM XLE

PRODUCT SPEC	108-2292
APPLICATION SPEC	114-13038
WEIGHT	-

SCALE 4:1 SHEET 3 OF 5 REV A2

