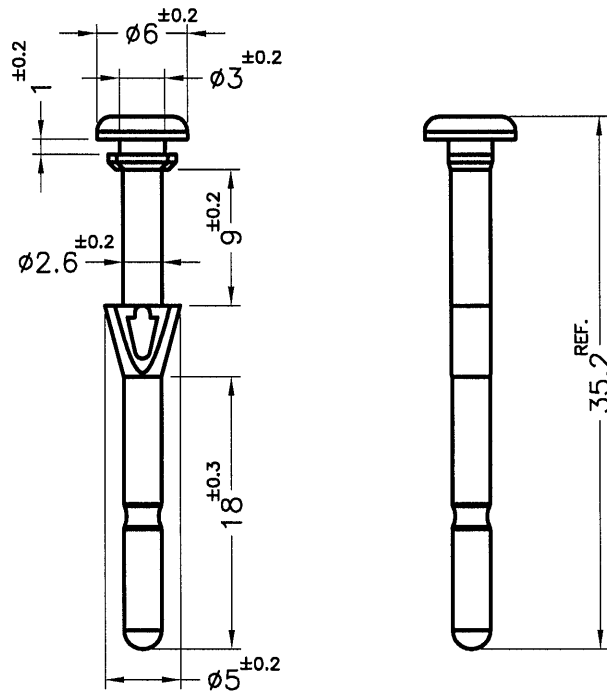



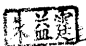

REVISIONS			
REV	DESCRIPTION	DATE	BY



PART NO.	HANDRESS
BUB-127G	$45^\circ \pm 10^\circ$
BUB-127H(B)	$55^\circ \pm 10^\circ$

FAN MOUNTING $\phi 2.7$ THICKNESS 10.0mm
 CHASSIS MOUNTING $\phi 3.1$ THICKNESS 1.0mm

NOTE:MADE OF EQUIVALENT MATERIAL.
 使用同等材質

 康揚企業股份有限公司 KANG YANG HARDWARE ENTERPRISE CO., LTD. 康揚塑膠(東莞)有限公司 KANG YANG PLASTIC(DONG GUAN) CO., LTD. 康哲電腦配件(吳江)有限公司 KANG CHE COMPUTER COMPONENTS(WUJIANG) CO., LTD.	TITLE		FAN SNAP RIVET		SPEC. DWG.		
	MATERIAL		TPE		DATE		2011.06.17
	HANDRESS		SEE ABOVE		DRAWN		SAI
	COLOR		BLACK		CHECK		
PART NUMBER		DRAWING NUMBER		UNLESS OTHERWISE SPECIFIED TOLERANCE		APPROVED	
SEE ABOVE		BUB-127		SEE ABOVE			
SIZE	SCALE	UNIT	REV				
A4	2:1	mm	C				