

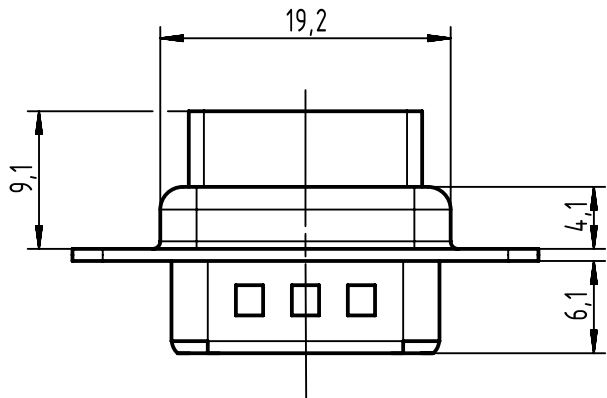
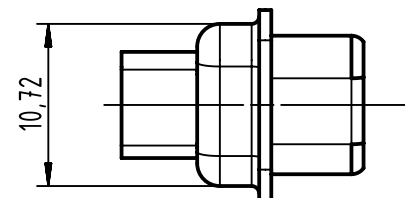
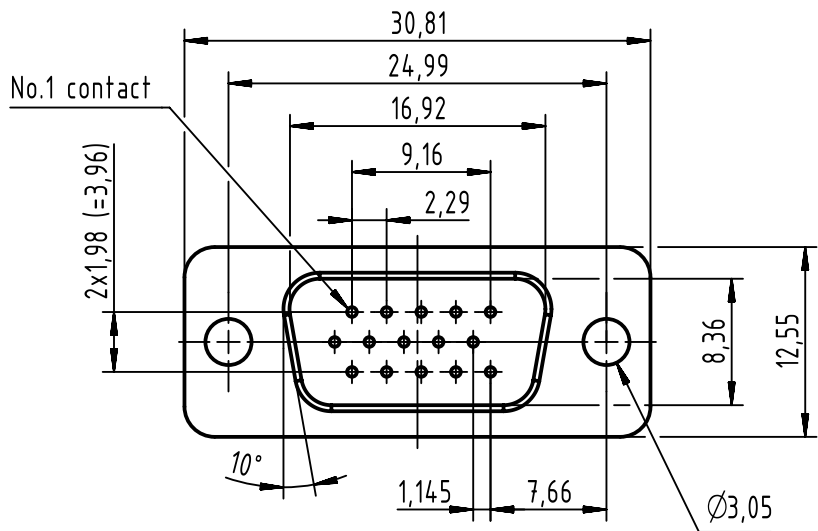
1 2 3 4 5 6

A

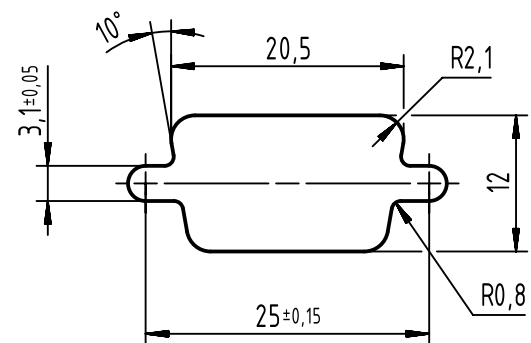
B


C

D



Panel cut out



	All Dimensions in mm Original Size DIN A4		Scale 2:1	Free size tol.		Ref.
	All rights reserved Department EC PD - CN		Created by ZHUANGJ	Inspected by LUOK	Standardisation SCHREIER	Date 2016-12-14
HARTING Electronics GmbH D-32339 Espelkamp			Title D-Sub HD 15-pole male for crimp contacts			Doc-Key / ECM-Nr. 100513473/UGD/001/B 500000112410
			Type TB	Number 09561005601		Rev. B Page 1/1