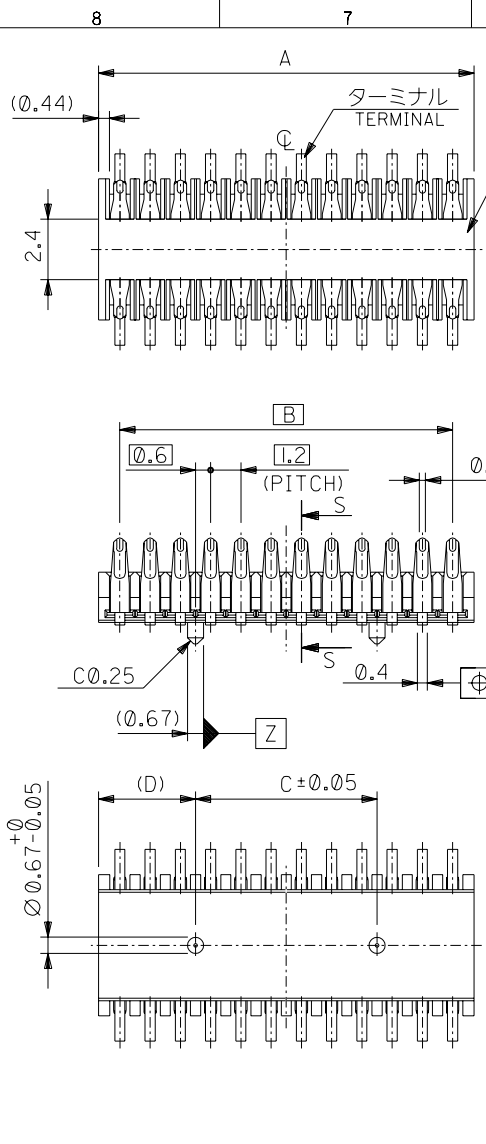
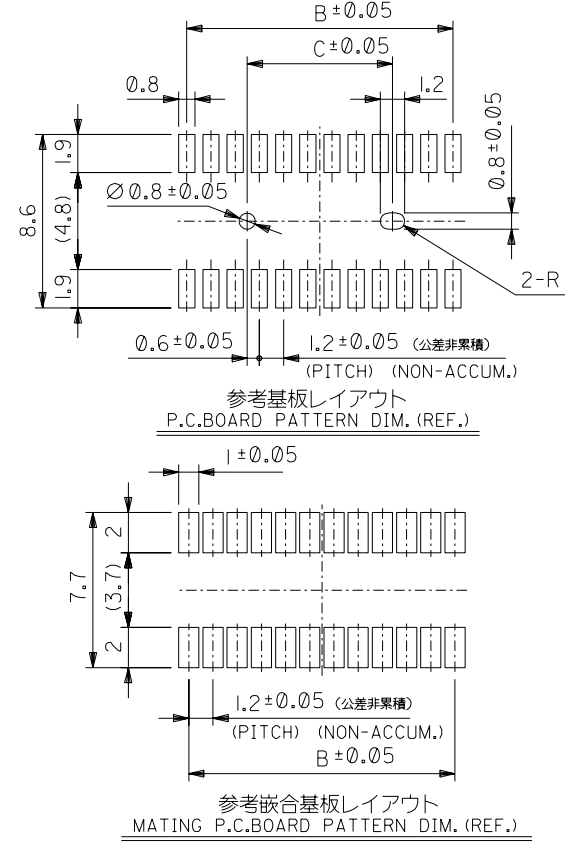
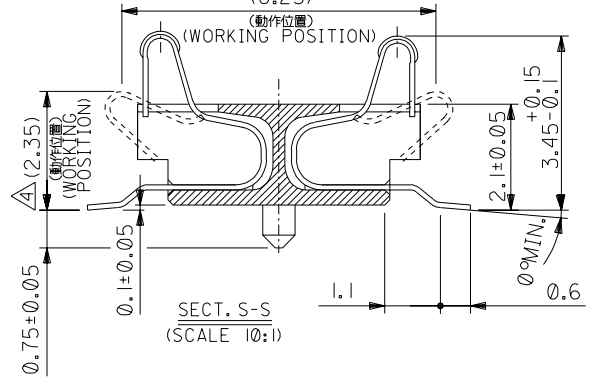


DO NOT SCALE DRAWING



注記 NOTES

- 材質 MATERIAL**
 ハウジング : 液晶ポリマー (黒) UL94V-0
 HOUSING : LIQUID CRYSTAL POLYMER [LCP], (BLACK), UL94V-0
 ターミナル : 燐青銅 (t=0.1)
 TERMINAL : PHOSPHOR BRONZE
 - メッキ仕様 PLATING**
 接点部 : 金メッキ
 CONTACT AREA : Au PLATING 0.5 micro meter
 半田付け部 : 半田メッキ
 SOLDER TAIL AREA : Sn-Pb PLATING 3.0 micro meter
 下地メッキ : ニッケルメッキ
 UNDER PLATING : Ni PLATING 3.0 micro meter
- △3 コネクタを水平面上に置いた状態にて維持する事。
 TOLERANCES TO BE APPLIED WHEN ON A HORIZONTAL PLANE.
- △4 動作位置 (ストローク量 1.1mm) での接触力 : 0.46±0.05N {47±5gf}
 NORMAL FORCE AT WORKING POSITION (STROKE 1.1mm) : 0.46±0.05N {47±5gf}



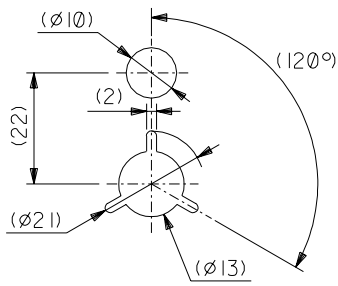
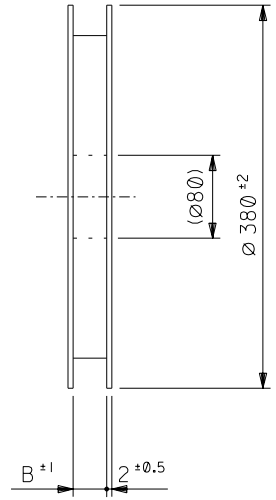
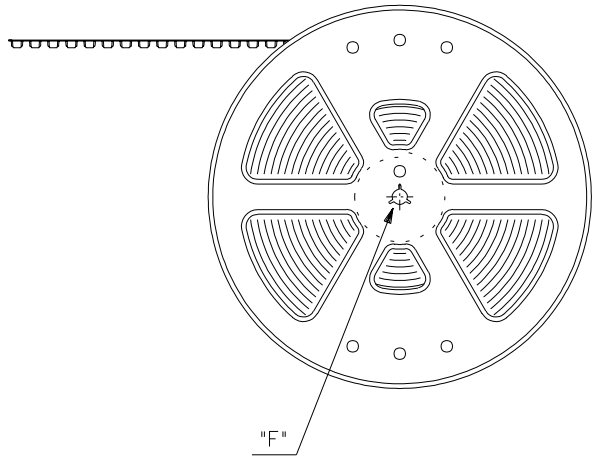
3.85	14.4	20.4	22.1	54546-3611	36
3.85	13.2	19.2	20.9	↑ -3411	34
3.85	12	18	19.7	↓ -3211	32
1.45	6	7.2	8.9	54546-1411	14
D	C	B	A	MATERIAL. NO.	極数 CIRCUIT

484NO. DRWN: CH'K: APPR: 483NO. DRWN: CH'K: APPR: 変更 REVISD 482NO. J2002-2638 DRWN: T.KAIHO '02/04/17 CH'K: T.IITO APPR: TO.YAMAGUCHI 変更 REVISD 481NO. JC2001-0323 DRWN: T.YASUT '00/10/20 CH'K: T.IITO APPR: M.FUKUSHIMA 新規作成 RELEASED 480NO. JC90310 DRWN: K.TOJO99/03/05 CH'K: K.T.S.KUNISHI APPR: M.FUKUSHIMA	MATERIAL 材料 SEE NOTES FINISH 仕上げ // WIRE RANGE 適用線径範囲 // INS. RANGE 被覆外径 //	GENERAL TOLERANCES: (UNLESS SPECIFIED) 一般公差 10 UNDER 未満 ±0.1 ±0.2 10 OVER 30 UNDER 未満 ±0.25 30 OVER 以上 ±0.3 ANGLE 角度 ±3°	SCALE 5:1 DESIGN UNITS <input checked="" type="checkbox"/> mm <input type="checkbox"/> INCH 2ND ANGLE PROJECTION <input checked="" type="checkbox"/> mm ONLY <input type="checkbox"/> INCH 2D/3D ON CAD ONLY	DRAWN BY & DATE K.TOJO '98/11/24 CHECKED BY & DATE T.IITO '02/04/17 APPROVED BY & DATE TO.YAMAGUCHI '02/04/17 CAD FILENAME 54546004.S01	TITLE: 1.2mm PITCH DUAL ONE PIECE Conn HOUSING Assy MOLEX MOLEX INCORPORATED MATERIAL NO. 54546-***11 DRAWING NO. SD-54546-004 SHEET NO. 1	SHT REV 22 REVISE ON CAD ONLY
			484NO. SD-54546-004			EN-02J(097) MXJ-54

A B C D E F

DWG. NO. SD-54546-005

引き出し方向
PULL OUT
DIRECTION



DETAIL "F"

注記 NOTES

- 梱包数量：1000個/リール
NUMBER OF CONNECTORS : 1000PCS/REEL
- リードテープ長さ LEAD TAPE LENGTH
- トップテープの剥離強度：0.1N ~ 0.7N(10.2gf ~ 71.4gf)
(剥離方向は下図参照)
尚、本規格値は出荷時に適用。(但し、輸送時に剥離が発生しないこと。)
PEELING OFF FORCE OF TOP TAPE : 0.1N ~ 0.7N(10.2gf ~ 71.4gf)
(PEELING DIRECTION AS SHOWN IN FOLLOWING FIG.)
THIS REQUIREMENT SHOULD BE APPLIED AT SHIPMENT.
PEEL OFF SHOULD NOT BE ALLOWED , DURING TRANSPORTATION.
- 材料(MATERIAL)
キャリアテープ(CARRIER TAPE)：ポリプロピレン(POLYPROPYLENE)
トップテープ(TOP TAPE)：PET, PE, PEF
リール(REEL)：ポリスチレン(P.S) <リサイクル材を含む>
POLYSTYREN(P.S) <RECYCLE MATERIAL CONTAINED>

54546-3611	54546-3690	36
↑ -3411	↑ -3490	34
↓ -3211	↓ -3290	32
54546-1411	54546-1490	14
CONNECTOR	MATERIAL NO.	CKT. 極数

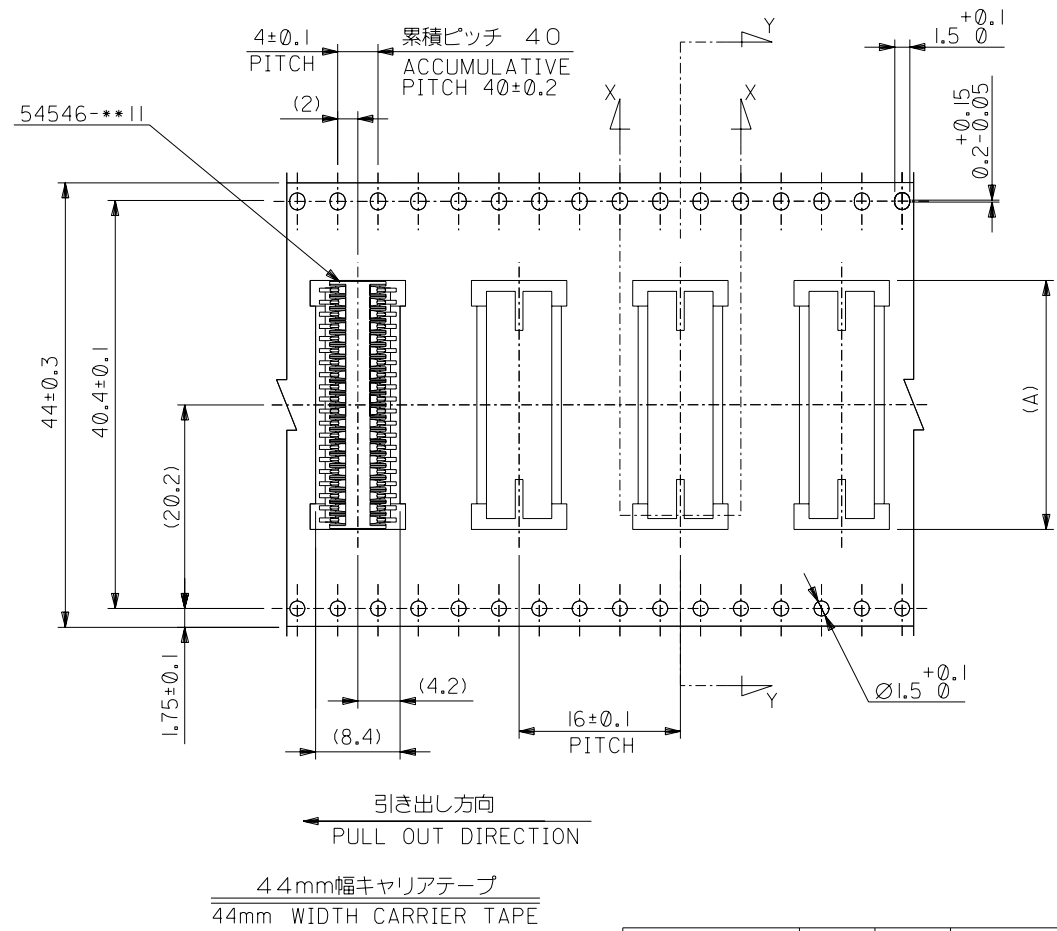
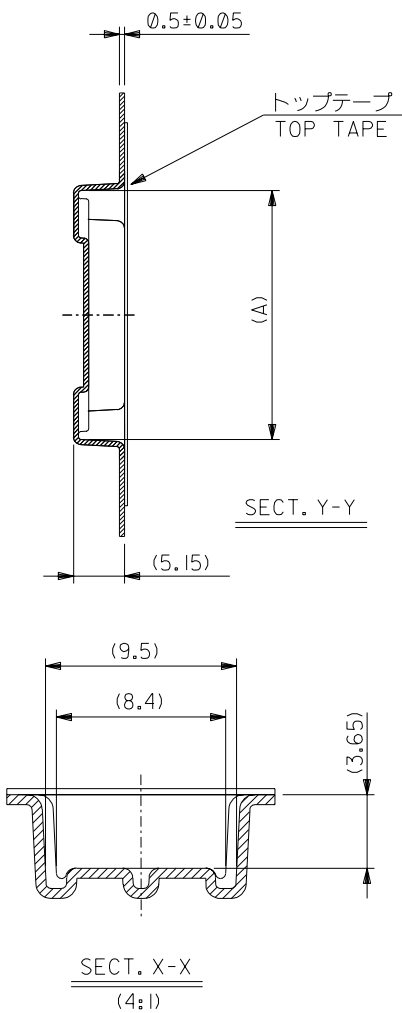
DO NOT SCALE DRAWING

DESIGN NO.	REVISED '02/04/17	REVISED '01/27/08	REVISED '00/10/30	PROPOSED '99/03/18
DRWN: T.KAIHO	DRWN: T.KAIHO	DRWN: C.OKUYAMA	DRWN: T.YASUI	DRWN: Y.KANNO
CHK: T.IITO	CHK: T.IITO	CHK: T.IITO	CHK: T.IITO	CHK: T.S.KUNISHI
APPR: T.YAMAGUCHI	APPR: T.YAMAGUCHI	APPR: M.FUKUSHIMA 10/31	APPR: M.FUKUSHIMA 10/31	APPR: M.FUKUSHIMA
MODEL NO.	54546-**-90	TITLE: 1.2 DUAL ONE PIECE Conn Hsg Assy Embstp Pkg		
DESIGN UNITS	mm	MATERIAL: SEE NOTES		
SCALE	1:1	FINISH: //		
DRAWN BY & DATE	Y.KANNO '98/11/26	WIRE RANGE: //		
CHECKED BY & DATE	T.IITO '02/04/17	INS. RANGE: //		
APPROVED BY & DATE	T.YAMAGUCHI '02/04/17	GENERAL TOLERANCES: (UNLESS SPECIFIED) 一般公差		
CAD FILENAME	54546005.S01	10 UNDER 未滿 ±0.2		
MATERIAL NO.	54546-**-90	10 OVER 30 UNDER 未滿 ±0.25		
DRAWING NO.	SD-54546-005	30 OVER 以上 ±0.3		
SHEET NO.	1 / 4	ANGLE 角度 ±3°		

MODEL NO.	54546-**-90	DIMENSIONS:	SHT	REV
DESIGN UNITS	mm	mm INCH	mm ONLY	REVISE ON CAD ONLY
SCALE	1:1	TITLE: 1.2 DUAL ONE PIECE Conn Hsg Assy Embstp Pkg		
DRAWN BY & DATE	Y.KANNO '98/11/26	MATERIAL: SEE NOTES		
CHECKED BY & DATE	T.IITO '02/04/17	FINISH: //		
APPROVED BY & DATE	T.YAMAGUCHI '02/04/17	WIRE RANGE: //		
CAD FILENAME	54546005.S01	INS. RANGE: //		
MATERIAL NO.	54546-**-90	GENERAL TOLERANCES: (UNLESS SPECIFIED) 一般公差		
DRAWING NO.	SD-54546-005	10 UNDER 未滿 ±0.2		
SHEET NO.	1 / 4	10 OVER 30 UNDER 未滿 ±0.25		
MOLEX INCORPORATED		30 OVER 以上 ±0.3		
MATERIAL NO. 54546-**-90		ANGLE 角度 ±3°		
DRAWING NO. SD-54546-005		GENERAL TOLERANCES: (UNLESS SPECIFIED) 一般公差		
SHEET NO. 1 / 4		10 UNDER 未滿 ±0.2		
SIZE B		10 OVER 30 UNDER 未滿 ±0.25		
EN-02J(097) MXJ-54		30 OVER 以上 ±0.3		

54546005.S01

DWG. NO. SD-54546-005



44	45.5	22.4	54546-3690	36
		21.2	54546-3490	34
キャリアテープ幅 CARRIER TAPE WIDTH	B	(A)	MATERIAL. NO.	極数 CIRCUIT

DO NOT SCALE DRAWING	REVISED '02/04/17 DRAWN: J2002-2638 CHK: T.KAIHO APPR: T.YAMAGUCHI	REVISED '01/2/8 DRAWN: JC2001-0651 CHK: T.ITO APPR: M.FUKUSHIMA 10/31	REVISED '00/10/30 DRAWN: T.YASUI CHK: T.ITO APPR: M.FUKUSHIMA 10/31	PROPOSED '99/03/18 DRAWN: JC900310 CHK: Y.KANNO APPR: M.FUKUSHIMA	MATERIAL 材料 SHEET NO.1 参照 SEE SHEET NO.1
C	B	A	⌀		

FINISH 仕上げ	—
WIRE RANGE 適用線径範囲	—
INS. RANGE 被覆外径	—

GENERAL TOLERANCES: (UNLESS SPECIFIED) 一般公差	SCALE 2:1	DESIGN UNITS <input checked="" type="checkbox"/> mm <input type="checkbox"/> INCH
10 UNDER 未満	±0.2	
10 OVER 以上	±0.25	
30 UNDER 未満	±0.25	
30 OVER 以上	±0.3	
ANGLE 角度	±3°	

MODEL NO. 54546-***90	DIMENSIONS: <input type="checkbox"/> mm <input type="checkbox"/> INCH <input checked="" type="checkbox"/> mm ONLY	SHT 4	REV 4
DRAWN BY & DATE Y.KANNO '98/11/26		TITLE: 1.2 DUAL ONE PIECE Conn Hsg Assy Embstp Pkg	
CHECKED BY & DATE T.ITO '02/04/17		MATERIAL. NO. 54546-***90	
APPROVED BY & DATE TO.YAMAGUCHI '02/04/17		DRAWING NO. SD-54546-005	
CAD FILENAME 54546005.S03		SHEET NO. 4 / 4	
THIS DRAWING CONTAINS INFORMATION THAT IS PROPRIETARY TO MOLEX INCORPORATED AND SHOULD NOT BE USED WITHOUT WRITTEN PERMISSION.			
SIZE B			

DWG. NO. SD-54546-005

F

D

V

C

B

DO NOT SCALE DRAWING

8 7 6 5 4 3 2 1

F

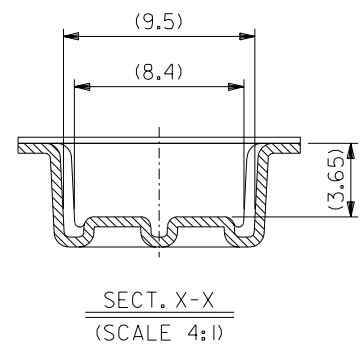
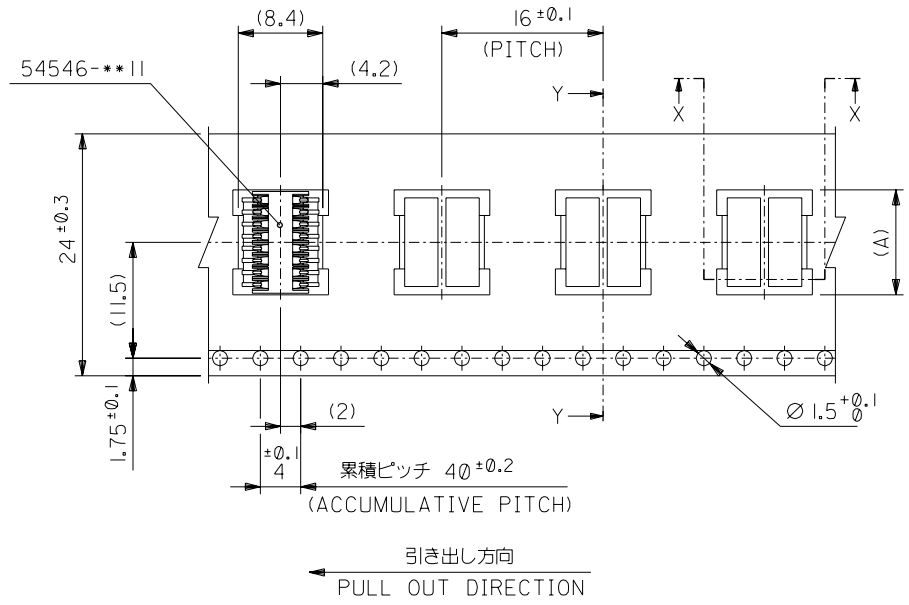
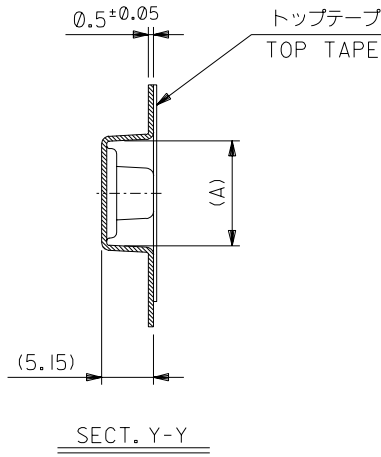
E

D

C

B

A



24	25.5	9.2	54546-1490	14
キャリアテープ幅 CARRIER TAPE WIDTH	B	A	MATERIAL NO.	極数 CIRCUIT
MODEL NO. 54546-***90		DIMENSIONS:		
SCALE 2:1		DESIGN UNITS		
DRAWN BY & DATE T.YASUI '00/10/30		TITLE: 1.2 DUAL ONE PIECE Conn Hsg Assy Embstp Pkg		
CHECKED BY & DATE T.ITO '02/04/17		APPROVED BY & DATE TO.YAMAGUCHI '02/04/17		
CAD FILENAME 54546005.S04		MATERIAL NO. 54546-***90	DRAWING NO. SD-54546-005	SHEET NO. 2 / 4
THIS DRAWING CONTAINS INFORMATION THAT IS PROPRIETARY TO MOLEX INCORPORATED AND SHOULD NOT BE USED WITHOUT WRITTEN PERMISSION.				SIZE B

634NO. DRWN: CHK: APPR:	633NO. DRWN: CHK: APPR:	REVISED '02/04/17 62NO. J2002-2638 DRWN: T.KAIHO CHK: T.ITO APPR: TO.YAMAGUCHI	REVISED '01/2/8 61NO. JC2001-0651 DRWN: C.OKUYAMA CHK: T.ITO APPR: M.FUKUSHIMA 10/31	REVISED 60NO. JC2001-0323 DRWN: T.YASUI '00/10/30 CHK: T.ITO APPR: M.FUKUSHIMA 10/31
8	7	C	B	A
MATERIAL 材料 SEE SHEET NO.1 参照 SEE SHEET NO.1				
FINISH 仕上げ //				
WIRE RANGE 適用線径範囲 //				
INS. RANGE 被覆外径 //				

GENERAL TOLERANCES: (UNLESS SPECIFIED) 一般公差	SCALE 2:1	DESIGN UNITS mm INCH	PROJECTION FIRST ANGLE
10 UNDER 未滿 ±0.2			
10 OVER 以上 30 UNDER 未滿 ±0.25			
30 OVER 以上 ±0.3			
ANGLE 角度 ±3°			

MODEL NO. 54546-***90	DIMENSIONS:
SCALE 2:1	mm INCH
DESIGN UNITS mm INCH	mm ONLY
PROJECTION FIRST ANGLE	REVISE ON CAD ONLY

DRAWN BY & DATE T.YASUI '00/10/30	TITLE: 1.2 DUAL ONE PIECE Conn Hsg Assy Embstp Pkg
CHECKED BY & DATE T.ITO '02/04/17	APPROVED BY & DATE TO.YAMAGUCHI '02/04/17
CAD FILENAME 54546005.S04	MATERIAL NO. 54546-***90
DRAWING NO. SD-54546-005	SHEET NO. 2 / 4

MOLEX INCORPORATED			
THIS DRAWING CONTAINS INFORMATION THAT IS PROPRIETARY TO MOLEX INCORPORATED AND SHOULD NOT BE USED WITHOUT WRITTEN PERMISSION.			
SIZE B			EN-02J(097) MXJ-54

8 7 6 5 4 3 2 1