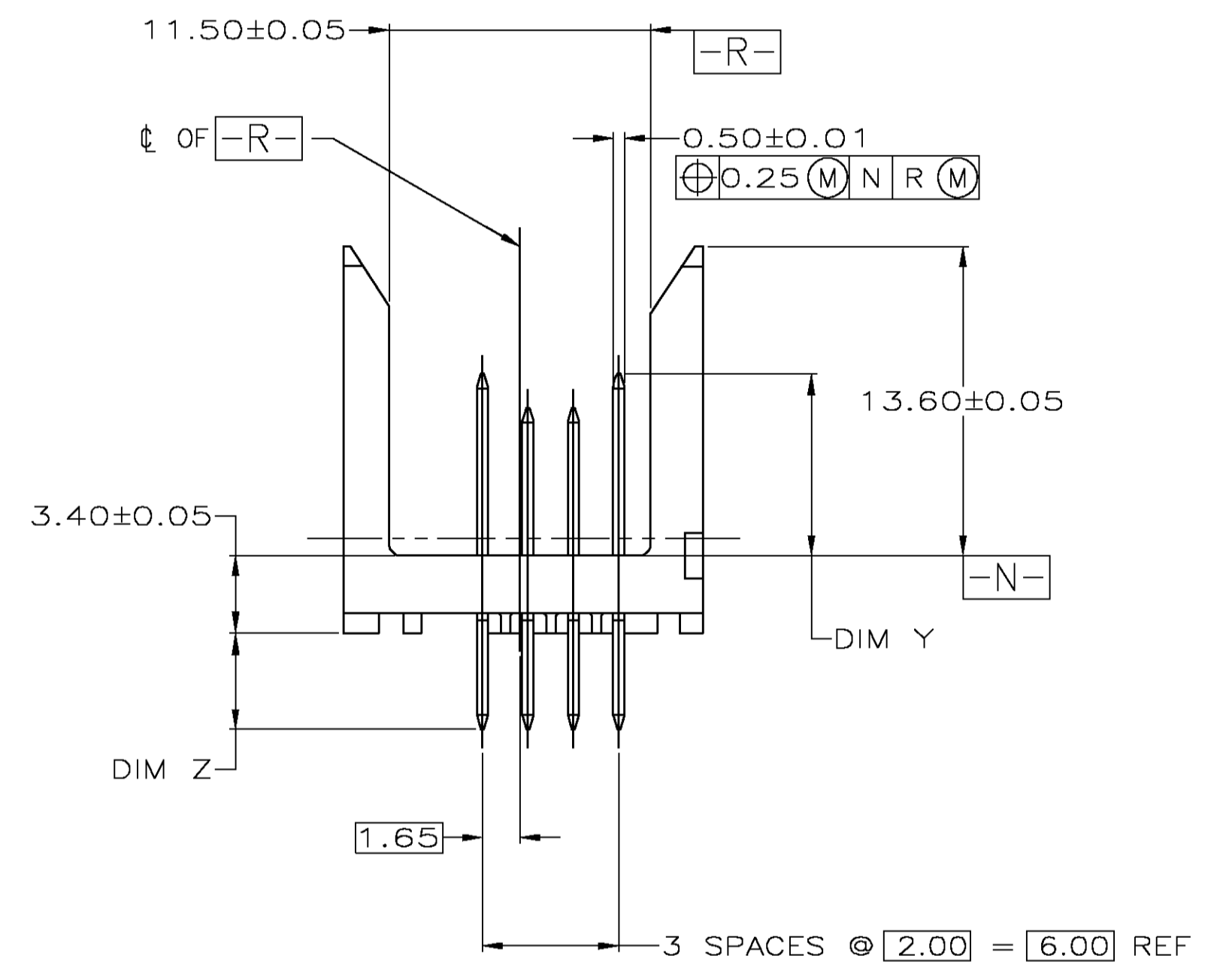
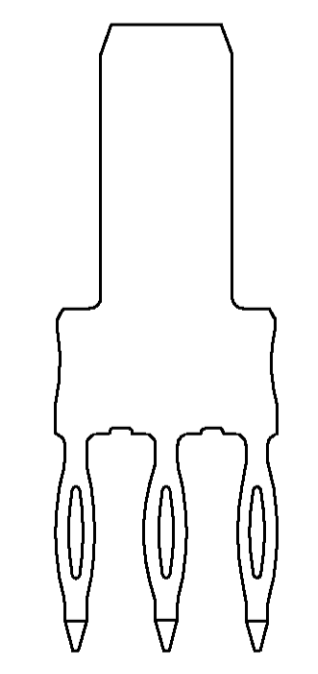


RECOMMENDED CIRCUIT PATTERN
 PER IPC-D300 TYPE II, CLASS C
 (COMPONENT SIDE)

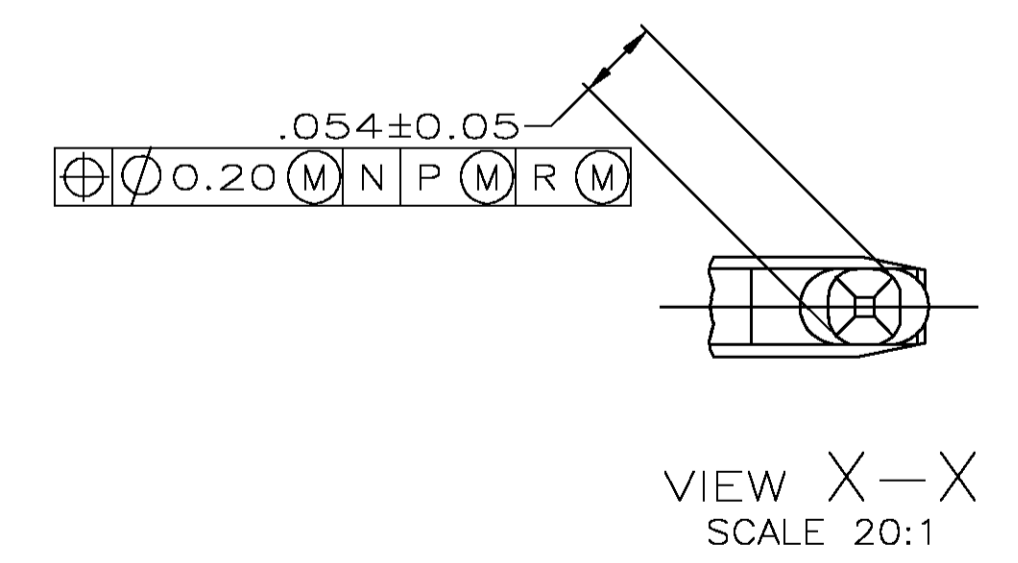
- △ HOUSING MATERIAL: LIQUID CRYSTAL POLYMER.
 COLOR: NATURAL.
- △ CONTACT MATERIAL: PHOSPHOR BRONZE.
- △ CONTACT FINISH:(D)
 UNDERPLATE (ENTIRE CONTACT):
 0.00127 MIN NICKEL PER SAE-AMS-QQ-N-290
 ON MATING SURFACES:
 FLASH GOLD PER ASTM B 488, OVER
 0.00076 MIN PALLADIUM-NICKEL OVER UNDERPLATE, OR
 0.00076 MIN GOLD PER ASTM B 488 OVER UNDERPLATE.
 ON LEADS:
 0.00127 MIN MATTE TIN PER ASTM B 545 OVER UNDERPLATE.
 LUBRICATION (MIN MATING SURFACES):
 SURFACE CONDITIONER AFTER PLATING.
- △ PART MARKING LOCATED APPROXIMATELY AS SHOWN.



5536699-1 AS SHOWN



SECTION A-A
 SCALE 6:1



VIEW X-X
 SCALE 20:1

PART NUMBER 536699-1

D	AC		AC	D			
C	AC		AC	C			
B	AA		AA	B			
A	AA		AA	A			
ROW	1	2	3	4	5	6	ROW
POSITION							
CONTACT LOAD CHART							

	NO CONTACT	NO CONTACT
AC	8.00	4.25
AA	6.50	4.25
LETTER CODE	DIM Y	DIM Z

PART NUMBER 5536699-2

D	AC		-	D			
C	AC		-	C			
B	AA		-	B			
A	AA		-	A			
ROW	1	2	3	4	5	6	ROW
POSITION							
CONTACT LOAD CHART							

PART NUMBER 5536699-3

D	AC		AA	D			
C	AC		AA	C			
B	AC		AA	B			
A	AC		AA	A			
ROW	1	2	3	4	5	6	ROW
POSITION							
CONTACT LOAD CHART							

△	5536699-3
△	5536699-2
△	5536699-1
FINISH	PART NUMBER

THIS DRAWING IS A CONTROLLED DOCUMENT.

DIMENSIONS: mm	TOLERANCES UNLESS OTHERWISE SPECIFIED:	DWN CHAD BAKER 10-07-98	10-07-98		Tyco Electronics Corporation Harrisburg, Pa 17105-3508
0 PLC ± -	1 PLC ± -	CHK CHAD BAKER 10-07-98	10-07-98		APVD D KOVALICK 10-10-98
2 PLC ± 0.13	3 PLC ± -	PRODUCT SPEC		PIN ASSY, POWER, VERTICAL, Z-PACK 2mm FB, PRESS FIT LEADS, SEQUENCED	
4 PLC ± -	ANGLES ± -	APPLICATION SPEC		SIZE	CAGE CODE
MATERIAL	FINISH	WEIGHT		A1	00779
CUSTOMER DRAWING				SCALE 4:1	SHEET 1 OF 1