

MATERIAL:

BODY BRASS
PLATED NICKEL

CENTER CONTACT PHOSPOR BRONZE
PLATED GOLD

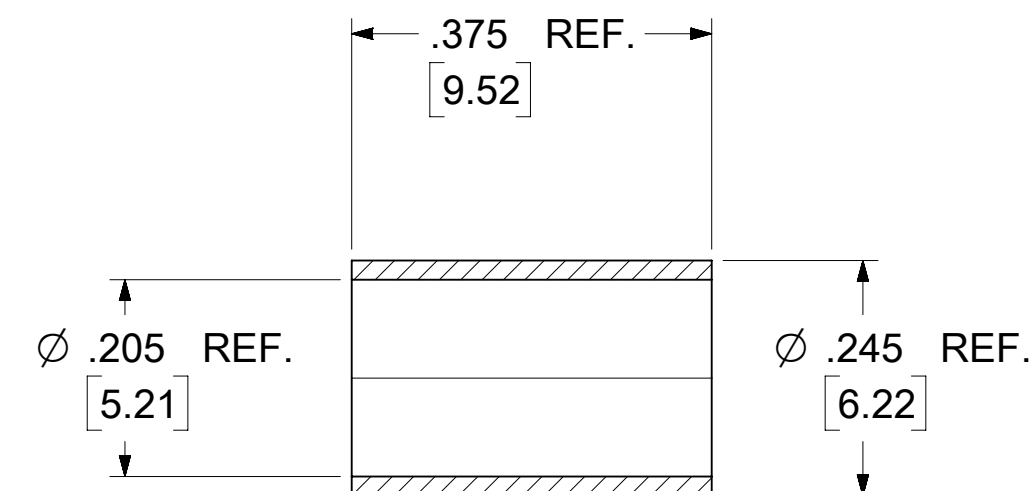
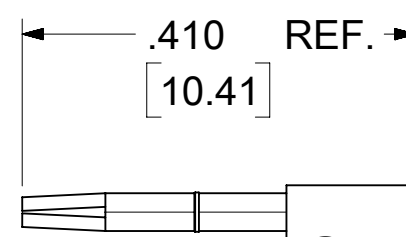
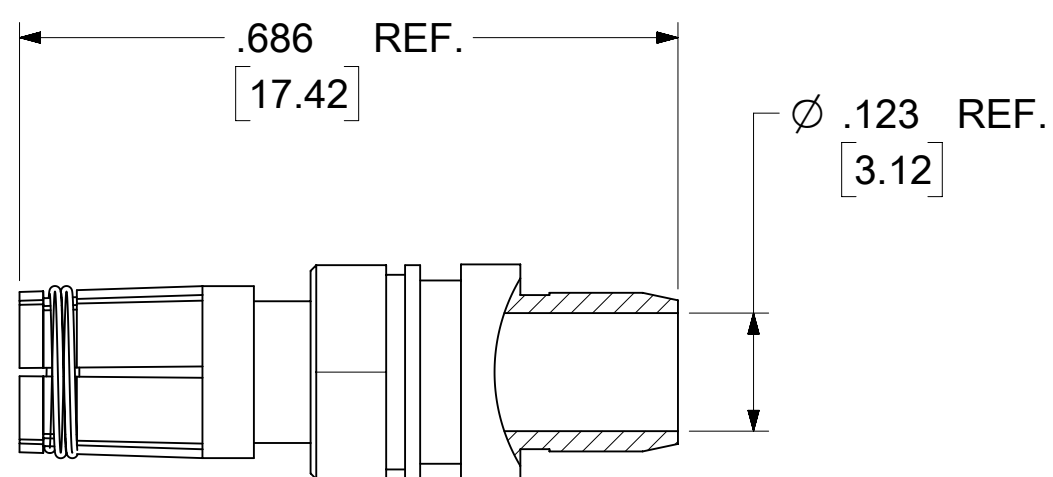
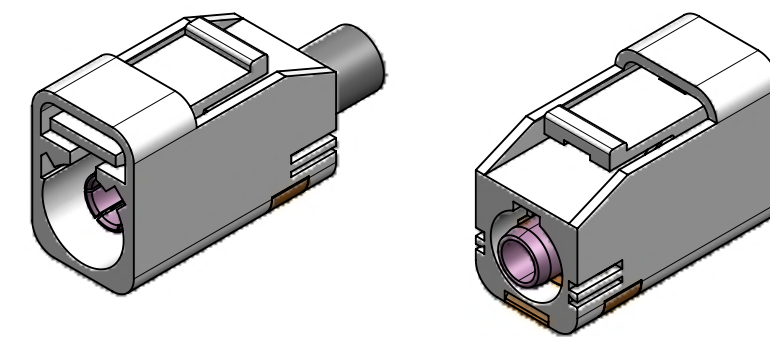
CEIMP TUBE BRASS
PLATED NICKEL

OUTER CASTING NYLON 66 OR EQUIVALENT
KEYING SEE TABLE
COLOR SEE TABLE

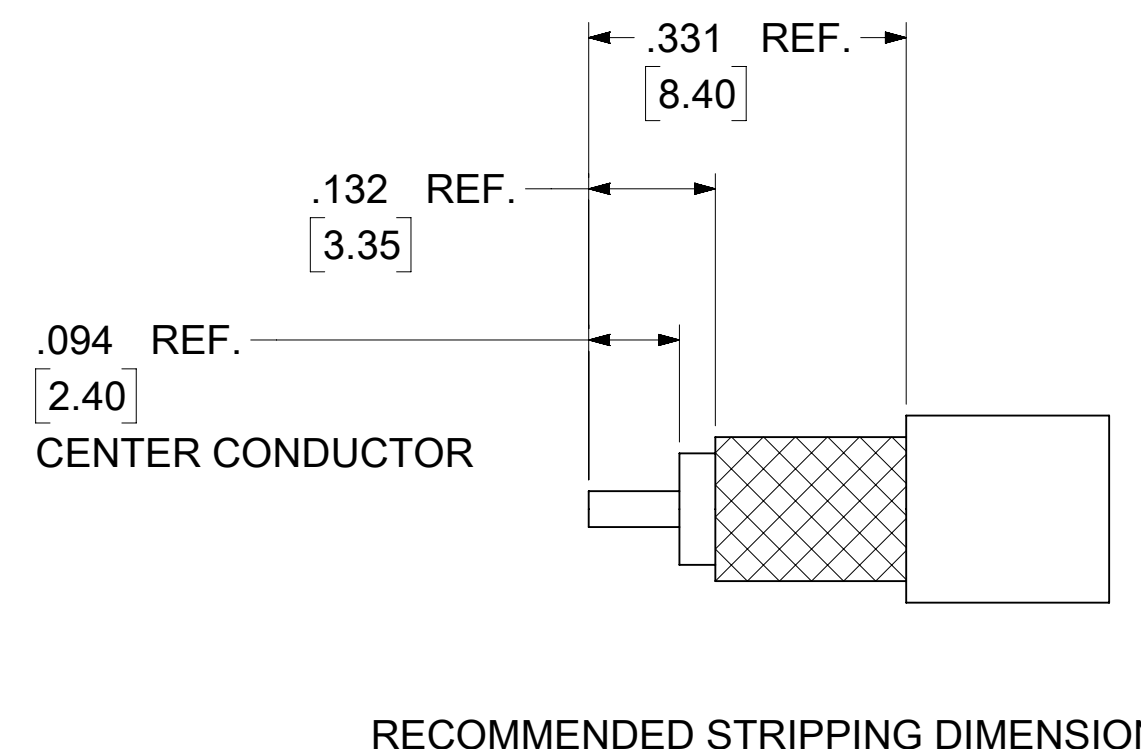
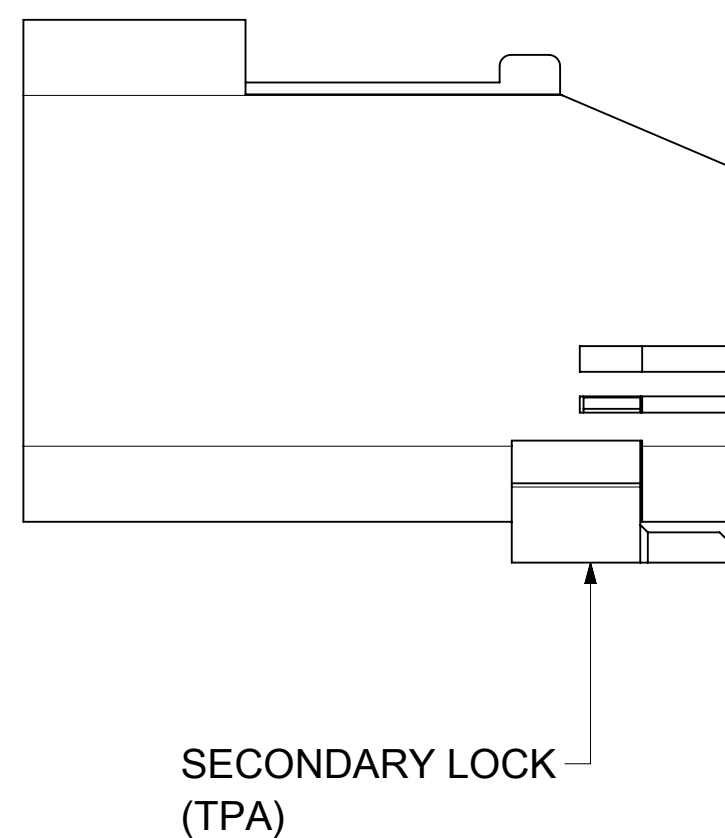
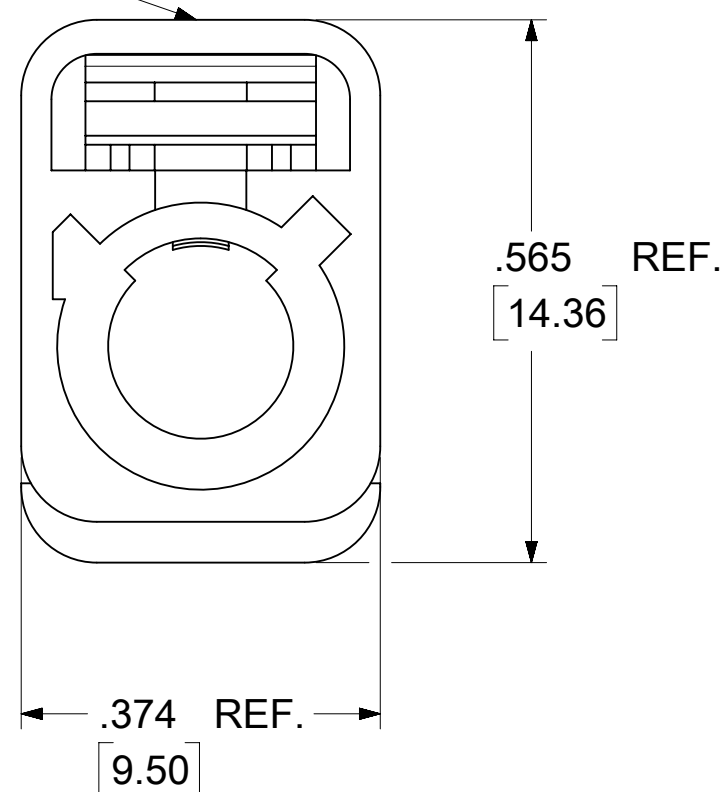
INSULATOR PP

NOTES:

1. 250 PCS (89618-37XX) PER ZIPLOCK BAG.
NOTICE: THE BAG MUST BE COMPLETELY SEALED.
2. STROAGE -10°C TO 40°C HUMIDITY <75%



FAKRA
CONNECTOR
KEYING
CODE B SHOWN

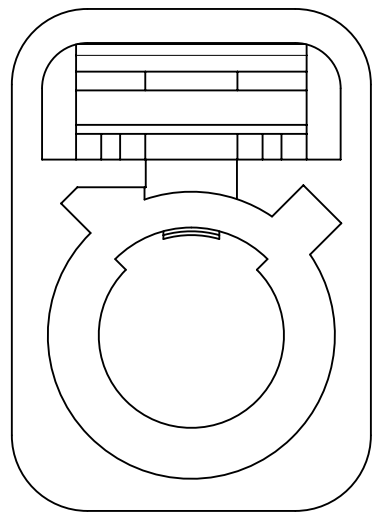


PART # SEE SHEET 2

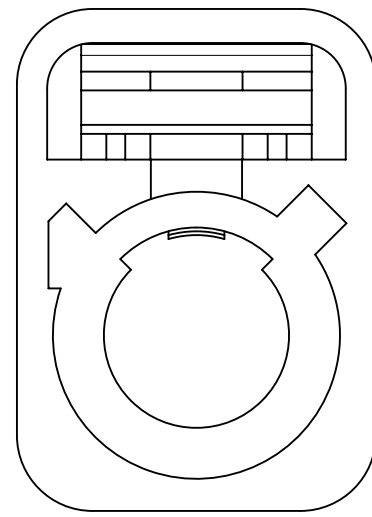
AS-73597-060	ASSEMBLY INSTRUCTION
PS-89675-331	PRODUCT SPECIFICATION
DIN 72594-1	INTERFACE SPECIFICATION
SPECIFICATION	DESCRIPTION

A1	2020/03/20	ADDED AS PER EWR # 13659-A
A	2016/01/12	RTM PER RF16-E001
REV.	DATE	DESCRIPTION

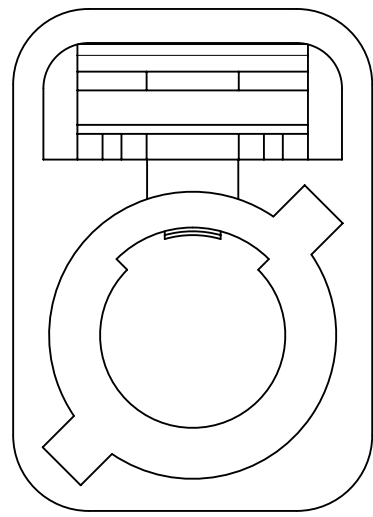
FUNCTIONAL SYMBOLS $\frac{F}{A} = 0$ $\frac{F}{C} = 0$ $\frac{F}{P} = 0$ DIVISIONAL SYMBOLS	THIS DRAWING CONTAINS INFORMATION THAT IS PROPRIETARY TO MOLEX ELECTRONIC TECHNOLOGIES, LLC AND SHOULD NOT BE USED WITHOUT WRITTEN PERMISSION		CURRENT REV DESC:		
	DIMENSION UNITS	SCALE	EC NO: 634402		
	HYBRID NTS		DRWN: ELIN 2020/03/13		
	GENERAL TOLERANCES (UNLESS SPECIFIED)		CHK'D: YCHENG 2020/03/25		
ANGULAR TOL ± 2.0°		APPR: YCHENG 2020/03/25		PRODUCT CUSTOMER DRAWING	
4 PLACES ±		INITIAL REVISION:		DOCUMENT NUMBER	DOC TYPE
3 PLACES ±		DRWN: ELIN 2016/01/12		SD-73403-723	PSD
2 PLACES ±		APPR: YCHENG 2016/02/04		001	001
1 PLACE ±		THIRD ANGLE PROJECTION		A1	REVISION
0 PLACES ±		DRAWING		SHEET NUMBER	
DRAFT WHERE APPLICABLE MUST REMAIN WITHIN DIMENSIONS		C-SIZE		MATERIAL NUMBER	CUSTOMER
		SERIES		SEE TABLE	GENERAL MARKET
		73403		1 OF 2	



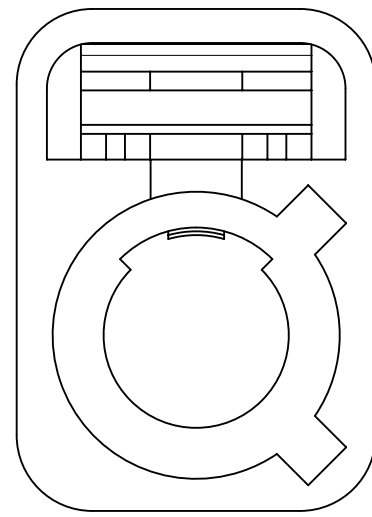
CODE A



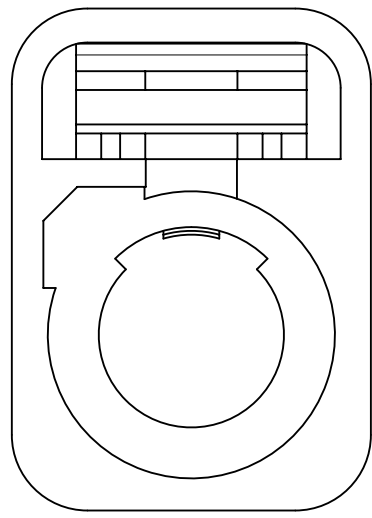
CODE B



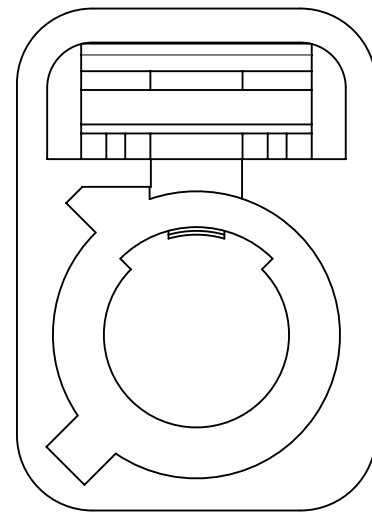
CODE C



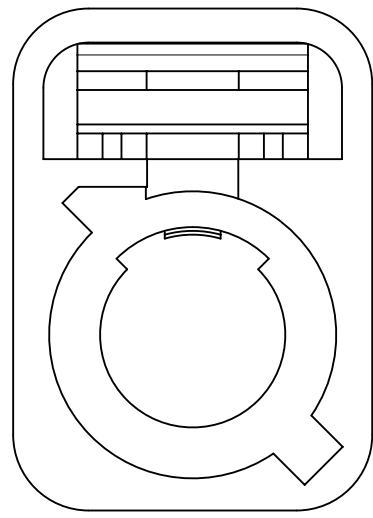
CODE D



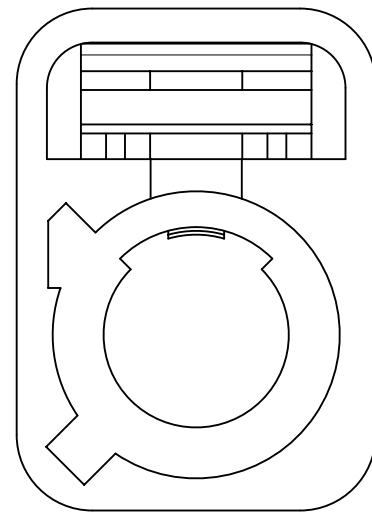
CODE E



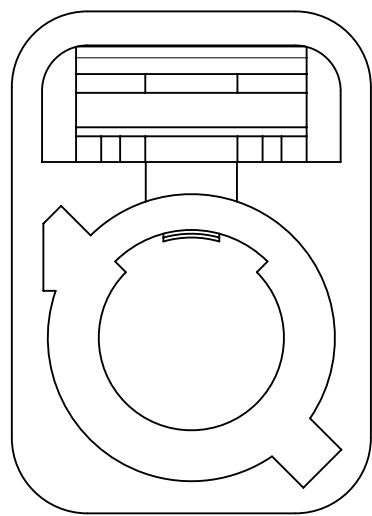
CODE F



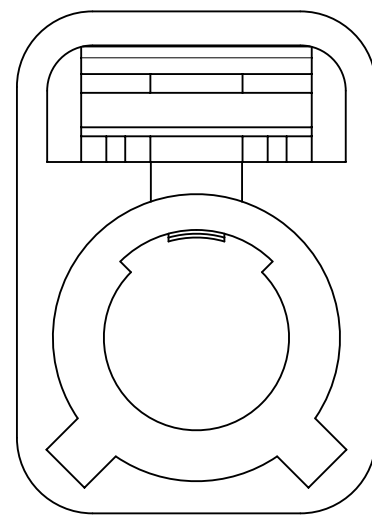
CODE G



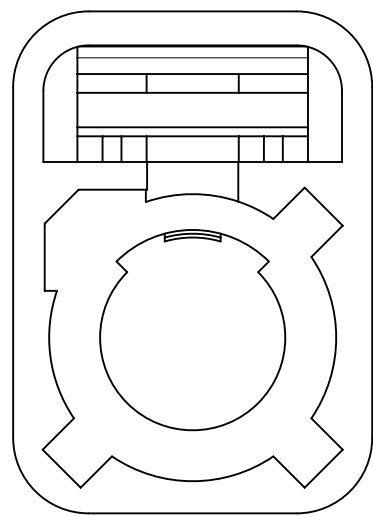
CODE H



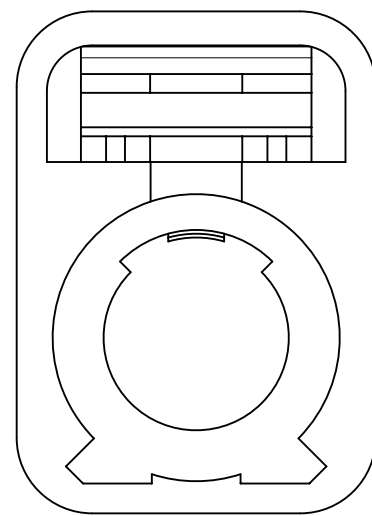
CODE I



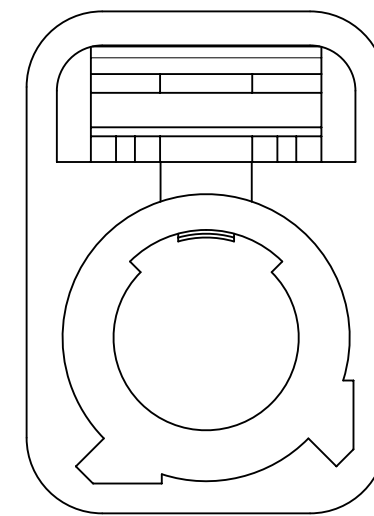
CODE K



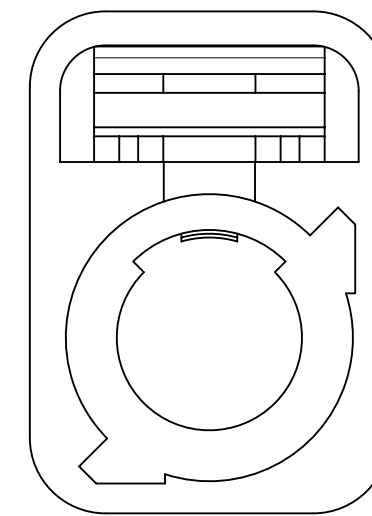
CODE Z



CODE L



CODE M



CODE N

N	PASTEL GREEN	73403-7243
M	PASTEL ORANGE	73403-7242
L	CARMINE RED	73403-7241
Z	WATER BLUE	73403-7240
K	CURRY YELLOW	73403-7239
I	BEIGN	73403-7238
H	VIOLET	73403-7237
G	GRAY	73403-7236
F	BROWN	73403-7235
E	GREEN	73403-7234
D	BORDEAUXVIOLET	73403-7233
C	BLUE	73403-7232
B	SINGLE WHITE	73403-7231
A	BLACK	73403-7230
KEYING CODE	COLOR	PART NO.

FUNCTIONAL SYMBOLS	THIS DRAWING CONTAINS INFORMATION THAT IS PROPRIETARY TO MOLEX ELECTRONIC TECHNOLOGIES, LLC AND SHOULD NOT BE USED WITHOUT WRITTEN PERMISSION		
	DIMENSION UNITS	SCALE	CURRENT REV DESC:
$\frac{E}{A} = 0$	HYBRID	NTS	EC NO: 634402 DRWN: ELIN 2020/03/13 CHK'D: YCHENG 2020/03/25 APPR: YCHENG 2020/03/25
$\frac{E}{C} = 0$	GENERAL TOLERANCES (UNLESS SPECIFIED)		
$\frac{E}{P} = 0$	ANGULAR TOL $\pm 2.0^\circ$		
DIVISIONAL SYMBOLS	4 PLACES \pm	3 PLACES \pm	
	2 PLACES \pm	1 PLACE \pm	INITIAL REVISION:
	0 PLACES \pm	0 PLACES \pm	DRWN: ELIN 2016/01/12 APPR: YCHENG 2016/02/04
DRAFT WHERE APPLICABLE MUST REMAIN WITHIN DIMENSIONS		THIRD ANGLE PROJECTION	DRAWING C-SIZE
		SERIES 73403	MATERIAL NUMBER SEE TABLE
		CUSTOMER GENERAL MARKET	SHEET NUMBER 2 OF 2

molex

FAKRA II PLUG STR. FOR
RG58 CABLE FAKRA II-P/PC, EWR # 13659

PRODUCT CUSTOMER DRAWING

DOCUMENT NUMBER
SD-73403-723

DOC TYPE DOC PART REVISION
PSD 001 A1