

## Protective covers - HC-COM-BCFS-PL-BK - 1079396

Please be informed that the data shown in this PDF Document is generated from our Online Catalog. Please find the complete data in the user's documentation. Our General Terms of Use for Downloads are valid (<http://phoenixcontact.com/download>)



Protective cover COM, for single locking latch, protective cover material: PA, height: 24.5 mm, Standard, for pin inserts



### Key Commercial Data

Packing unit	1 pc
GTIN	 4 055626 799223
GTIN	4055626799223
Custom tariff number	39269097
Country of origin	China

### Technical data

#### General

Size	COM
------	-----

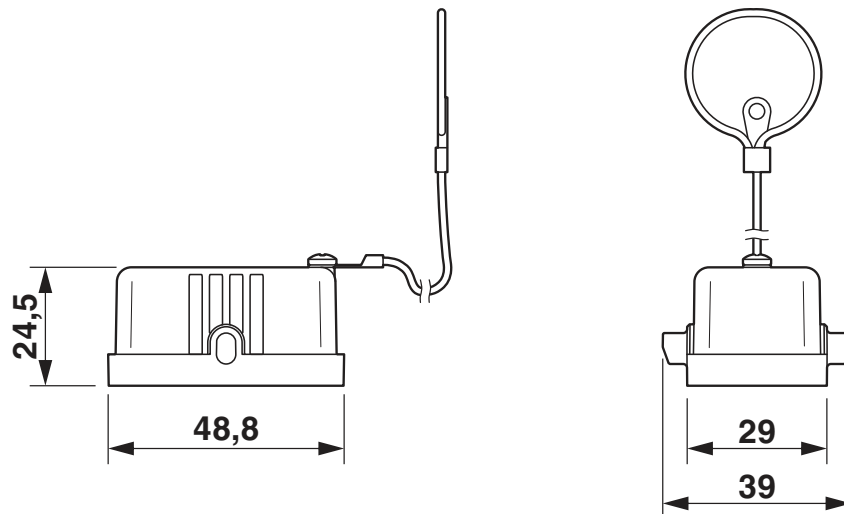
#### Environmental Product Compliance

China RoHS	Environmentally friendly use period: unlimited = EFUP-e
	No hazardous substances above threshold values

### Drawings

## Protective covers - HC-COM-BCFS-PL-BK - 1079396

Dimensional drawing



### Classifications

eCl@ss

eCl@ss 10.0.1	27440208
eCl@ss 11.0	27440208
eCl@ss 9.0	27440208

ETIM

ETIM 7.0	EC002314
----------	----------