

■ **Features**

- Single output from 10-13.5W
- 100-240Vac Universal Input
- Certificates: UL, CE
- Safety standard: IEC60950, IEC60601, IEC61558, IEC60335
- Frequency: 50-60Hz
- Ripple: 80mV
- OVP, OCP, SCP, and Overload protection
- Efficiency Level: VI
- Available Plug types: US, EU, AU, UK plug
- Dimensions: 65x42.5x54mm (including plug)



\*Product images are for illustrative purposes only and may vary from actual design.

■ **Application**

- Consumer electronics, Telecom and office equipment
- Industrial equipment

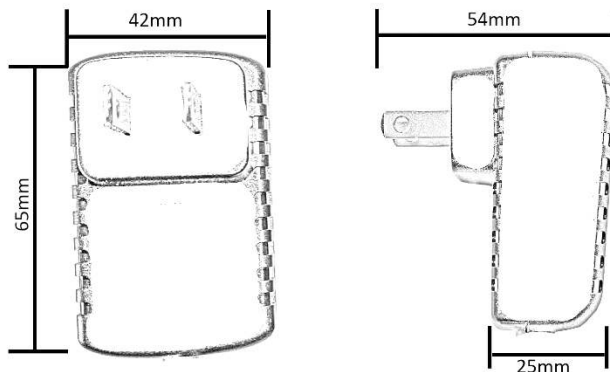
■ **Model List**

**Custom Designs Available!**

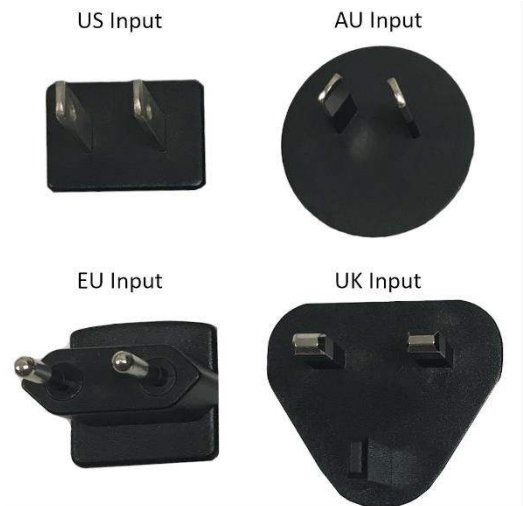
Model	Output Voltage	Output Current	Power	Certifications
WM012S-050-X-XX	5V	2A	10W	UL, CE
WM012S-060-X-XX	6V	2A	12W	UL, CE
WM012S-090-X-XX	9V	1.5A	13.5W	UL, CE
WM012S-120-X-XX	12V	1A	12W	UL, CE
WM012S-150-X-XX	15V	0.8A	12W	UL, CE
WM012S-240-X-XX	24V	0.5A	12W	UL, CE

■ **Mechanical Diagram**

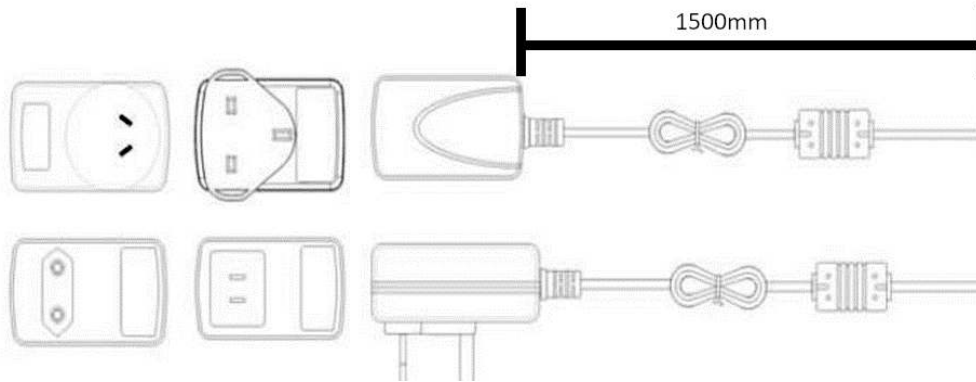
US Input Plug Shown for Reference



Available Fixed Input Plugs

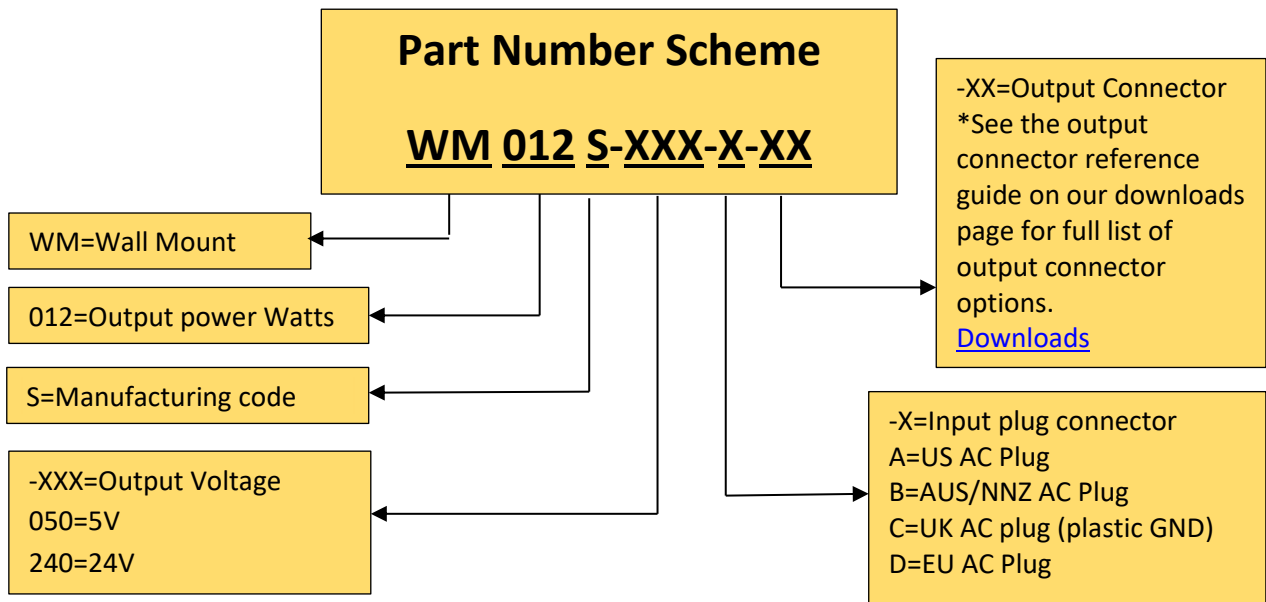


■ Mechanical Diagram(cont.)



See our output Connector Guide for all available options.

\*All measurements are typical.



\*Product images are for illustrative purposes only and may vary from actual design.

\*Specifications are subject to change without notice. Autec is not responsible for issues arising from errors or omissions.