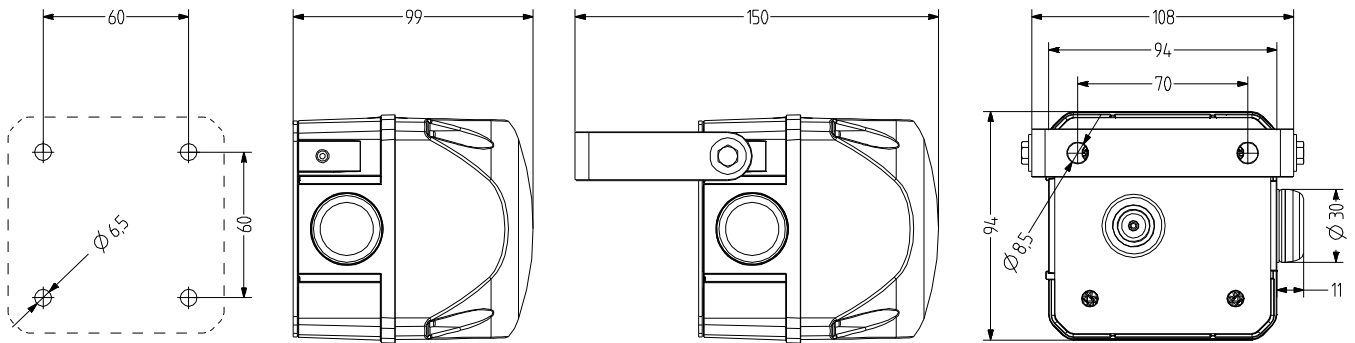


# QSS LED steady/flashing beacon with buzzer indicator

- 94 mm cubic-design LED steady/flashing beacon with built-in buzzer indicator
- Max. 80 dB (A) sound pressure
- High degree of protection IP 65 & impact resistance IK09
- UV-stabilised material
- Steady and flashing light, can be switched externally
- Beacon with good frontal/lateral signalling effect
- 30 cd luminous intensity
- For industrial and general applications



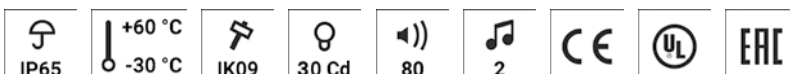
Internal diffuser and special lens pattern for optimal 360° signalling effect



## TECHNICAL DATA

Housing	94 mm (square), Polycarbonate red, piezo buzzer black
Lens	Polycarbonate, ribbed inside orange, red, clear, blue, green or yellow
Type of mounting	any, any
Connection technology	Screw/plug-in terminal up to 2,5 mm <sup>2</sup>
Beacon type	Steady beacon or Flashing beacon
Light source	16 LEDs
Luminous intensity	30 Cd
Strobe/flash frequency	1,4 Hz

Tone	2 Tones, 2 Tones can be switched externally, Steady tone or Pulsing tone
Volume	80 dB
Tone frequency	3.500 Hz
Duty cycle	100 %
Service life	Light source: 50.000 h
Operating temperature	-30 °C / +60 °C
Degree of protection	IP65
Impact resistance	IK09
Weight	300 g



# QSS

## ORDER DATA

Lens colour	Nominal voltage	Voltage range (V)	Nominal current (A)	Order number
orange	24 V AC/DC	+/- 10 %	0,140	876 161 405
	110-120 V AC	+/- 10 %	0,120	876 161 310
	230-240 V AC	+/- 10 %	0,110	876 161 313
red	24 V AC/DC	+/- 10 %	0,140	876 162 405
	110-120 V AC	+/- 10 %	0,120	876 162 310
	230-240 V AC	+/- 10 %	0,110	876 162 313
clear	24 V AC/DC	+/- 10 %	0,140	876 164 405
	110-120 V AC	+/- 10 %	0,120	876 164 310
	230-240 V AC	+/- 10 %	0,110	876 164 313
blue	24 V AC/DC	+/- 10 %	0,140	876 165 405
	110-120 V AC	+/- 10 %	0,120	876 165 310
	230-240 V AC	+/- 10 %	0,110	876 165 313
green	24 V AC/DC	+/- 10 %	0,140	876 166 405
	110-120 V AC	+/- 10 %	0,120	876 166 310
	230-240 V AC	+/- 10 %	0,110	876 166 313
yellow	24 V AC/DC	+/- 10 %	0,140	876 167 405
	110-120 V AC	+/- 10 %	0,120	876 167 310
	230-240 V AC	+/- 10 %	0,110	876 167 313



AMK



AB1



AG1



AKV



AW1

## ACCESSORIES

Type	Type of accessory	Weight	Order number
AMK	Mounting set for combining several pieces of signalling equipment of the same size	10 g	874 010 900
AB1	Mounting set for metal bracket for mounting in any direction (e.g. on mounting platforms)		874 031 900
AG1	Flat seal for installation on smooth surfaces		874 021 900
AKV	Cable gland M20x1,5		698 800 026
AW1	Stainless steel bracket		874 041 900

## STONE TABLE

Tone on terminal

La	N	Lb	
X	X		pulsing tone
X	X	X	continuous tone



Electronic