



Main

Range of Product	Modicon MCM
Product or Component Type	Non-safe communication module
Device short name	XPSMCM
[Us] rated supply voltage	24 V - 20...20 % DC

Complementary

Power dissipation in W	3 W
Quality labels	CE
Range Compatibility	Preventa XPSMCM
Connector type	Male SUB-D 9
Number of port	1
Method of access	Server
Transmission rate	10 kbit/s 20 kbit/s 50 kbit/s 100 kbit/s 125 kbit/s 250 kbit/s 500 kbit/s 800 kbit/s 1 Mbit/s Autodetected
Communication port protocol	CANopen
Current Consumption	0.125 mA
Maximum cable distance between devices	8202.10 Ft (2500 m) 3280.84 Ft (1000 m) 2460.63 Ft (750 m) 1640.42 Ft (500 m) 820.21 Ft (250 m) 328.08 Ft (100 m) 164.04 Ft (50 m) 82.02 ft (25 m)
Local signalling	LED green PWR power ON LED green RUN operating LED red E IN internal error LED red E EX external error LED green/red OP operating LED green/red ERR communication error
Connections - terminals	2 captive screw clamp terminals, removable terminal block

The information provided in this documentation contains general descriptions and/or technical characteristics of the performance of the products contained herein. This documentation is not intended as a substitute for and is not to be used for determining suitability or reliability of these products for specific user applications. It is the duty of any such user or integrator to perform the appropriate and complete risk analysis, evaluation and testing of the products with respect to the relevant specific application or use thereof. Neither Schneider Electric Industries SAS nor any of its affiliates or subsidiaries shall be responsible or liable for misuse of the information contained herein.

Cable cross section	0.00...0.00 In ² (0.2...1.5 mm ²) - AWG 24...AWG 16 flexible without cable end 0.00...0.00 In ² (0.2...2.5 mm ²) - AWG 24...AWG 14 flexible without cable end 0.00...0.00 In ² (0.25...1 mm ²) - AWG 23...AWG 18 flexible with cable end, without bezel 0.00...0.00 In ² (0.25...2.5 mm ²) - AWG 23...AWG 14 flexible with cable end, with bezel 0.00...0.00 In ² (0.25...2.5 mm ²) - AWG 23...AWG 14 flexible with cable end, without bezel 0.00...0.00 In ² (0.5...1.5 mm ²) - AWG 20...AWG 16 flexible with cable end, with double bezel 0.00...0.00 In ² (0.2...1 mm ²) - AWG 24...AWG 18 solid without cable end 0.00...0.00 in ² (0.2...2.5 mm ²) - AWG 24...AWG 14 solid without cable end
Mounting support	Omega 35 mm DIN rail EN 50022
Width	0.89 in (22.5 mm)
Height	3.90 in (99 mm)
Depth	4.51 in (114.5 mm)
Net Weight	0.66 lb(US) (0.3 kg)

Environment

Product Certifications	CULus RCM TÜV
IP Degree of Protection	IP20
Ambient Air Temperature for Operation	14...131 °F (-10...55 °C)
Ambient Air Temperature for Storage	-4...185 °F (-20...85 °C)
Relative humidity	10...95 %
Pollution degree	2
Insulation	250 V AC between power supply and housing EN/IEC 61800-5-1
Overvoltage category	II
Electromagnetic compatibility	Electrostatic discharge immunity test 6 kV on contact) EN/IEC 61000-4-2 Electrostatic discharge immunity test 20 kV on air) EN/IEC 61000-4-2 Susceptibility to electromagnetic fields 10 V/m 80...1000 MHz) EN/IEC 61000-4-3 Susceptibility to electromagnetic fields 30 V/m 1.4 GHz...2 GHz) EN/IEC 61000-4-3
Vibration resistance	+/-0.35 mm 10...55 Hz)EN/IEC 61496-1
Shock resistance	10 gn 16 ms) 1000 shocks on each axis EN/IEC 61496-1
Operating altitude	6561.68 ft (2000 m)
Service Life	20 year(s)

Ordering and shipping details

Category	22477-SAFETY MODULES (PREVENTA)
Discount Schedule	SAF2
GTIN	3606480748349
Nbr. of units in pkg.	1
Package weight(Lbs)	7.48 oz (212.0 g)
Returnability	No
Country of origin	IT

Packing Units

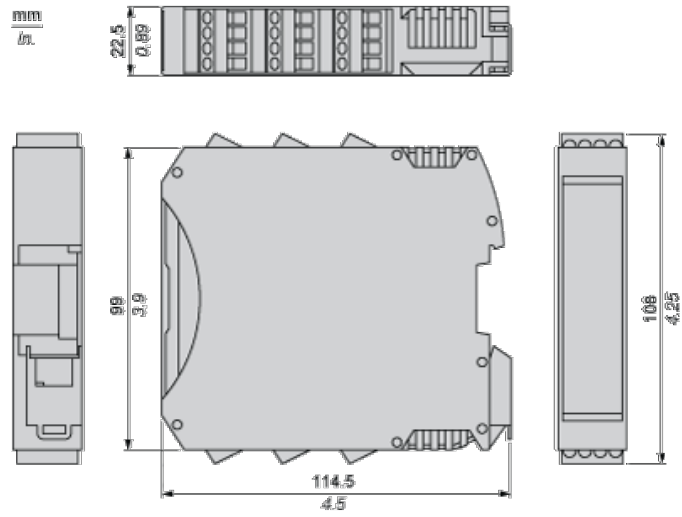
Unit Type of Package 1	PCE
Package 1 Height	1.77 in (4.5 cm)
Package 1 width	5.04 in (12.8 cm)
Package 1 Length	6.38 in (16.2 cm)
Unit Type of Package 2	S01
Number of Units in Package 2	6
Package 2 Weight	3.34 lb(US) (1.513 kg)
Package 2 Height	5.91 in (15.0 cm)
Package 2 width	5.91 in (15.0 cm)
Package 2 Length	15.75 in (40.0 cm)

Offer Sustainability

Sustainable offer status	Green Premium product
California proposition 65	WARNING: This product can expose you to chemicals including: Lead and lead compounds, which is known to the State of California to cause cancer and birth defects or other reproductive harm. For more information go to www.P65Warnings.ca.gov
REACH Regulation	REACH Declaration
REACH free of SVHC	Yes
EU RoHS Directive	Pro-active compliance (Product out of EU RoHS legal scope) EU RoHS Declaration
Mercury free	Yes
RoHS exemption information	Yes
China RoHS Regulation	China RoHS Declaration
Environmental Disclosure	Product Environmental Profile
Circularity Profile	End Of Life Information
WEEE	The product must be disposed on European Union markets following specific waste collection and never end up in rubbish bins.
PVC free	Yes

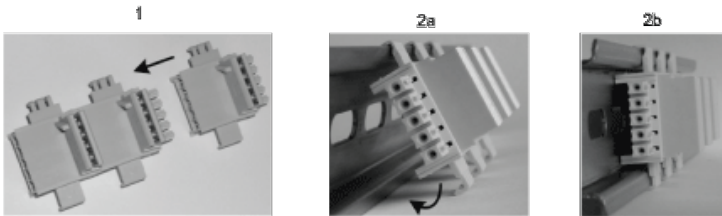
Dimensions

Screw Terminal



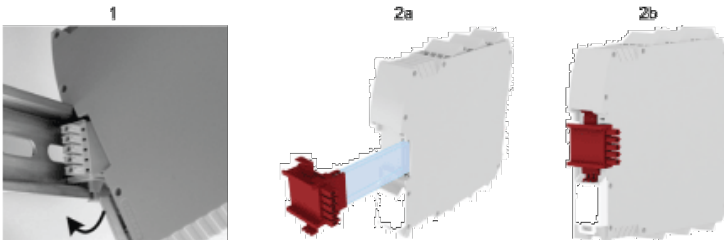
Mounting Safety Controller CPU with Module(s)

Mount BackPlane Connector on Rail



- 1 : Connect as much Backplane Connector as module to be install.
- 2 : Fix the connectors to the rail (Top first).

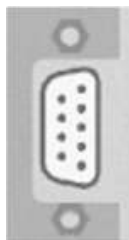
Mount Safety Controller CPU with Other Module(s)



- 1 : Mount controller CPU and modules on rail.
- 2 : Make sure that the controller CPU or the module(s) are plugged on the BackPlane connector.

Connection & Schema

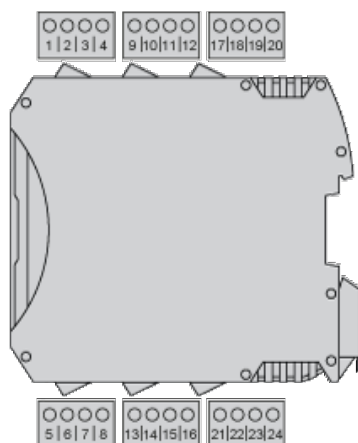
CANOpen Connector



Description	CAN (CANOpen) standard communication device
Wiring	<p>Pin/ Signal</p> <p>1/ not connected</p> <p>2/ CAN_L</p> <p>3/ CAN_GND</p> <p>4/ not connected</p> <p>5/ CAN_SHLD</p> <p>6/ not connected</p> <p>7/ CAN_H</p> <p>8/ not connected</p> <p>9/ not connected</p> <p>Housing CAN_SHIELD</p>
Data sets	<p>input status, input diagnostics,</p> <p>fieldbus input status, probe status,</p> <p>safety output status, safety output diagnostics</p>

Wiring

Terminal Designation



Terminal	Signal	Description
1	24 VDC	24 Vdc power supply
2	-	Not connected
3		
4	0 VDC	0 Vdc power supply
5	-	Not connected

Terminal	Signal	Description
6		
7		
8		

Wiring Example

