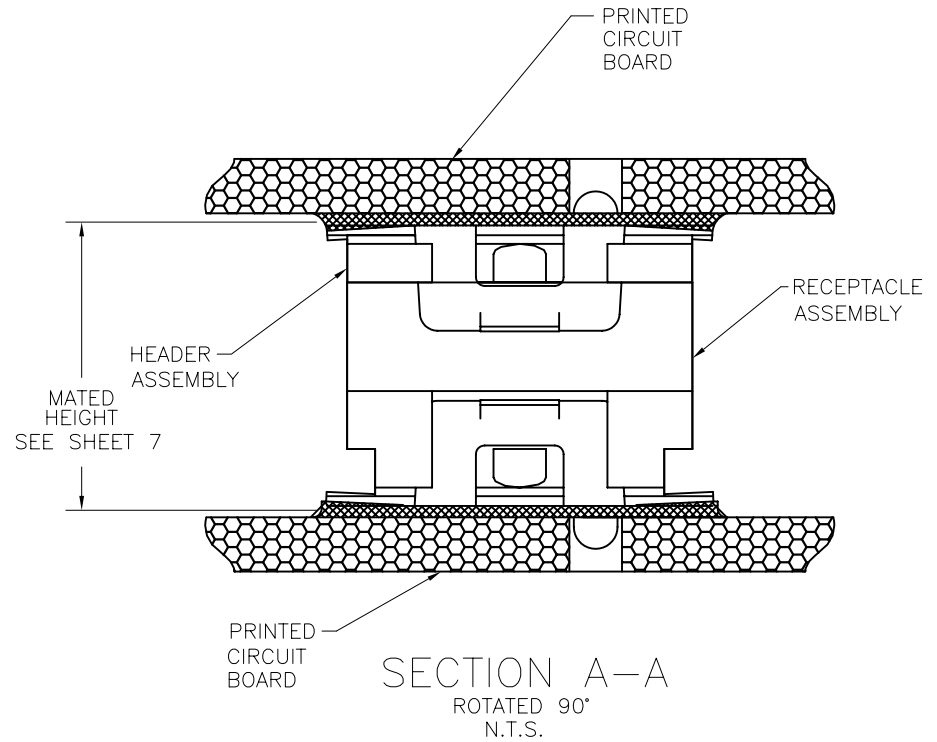
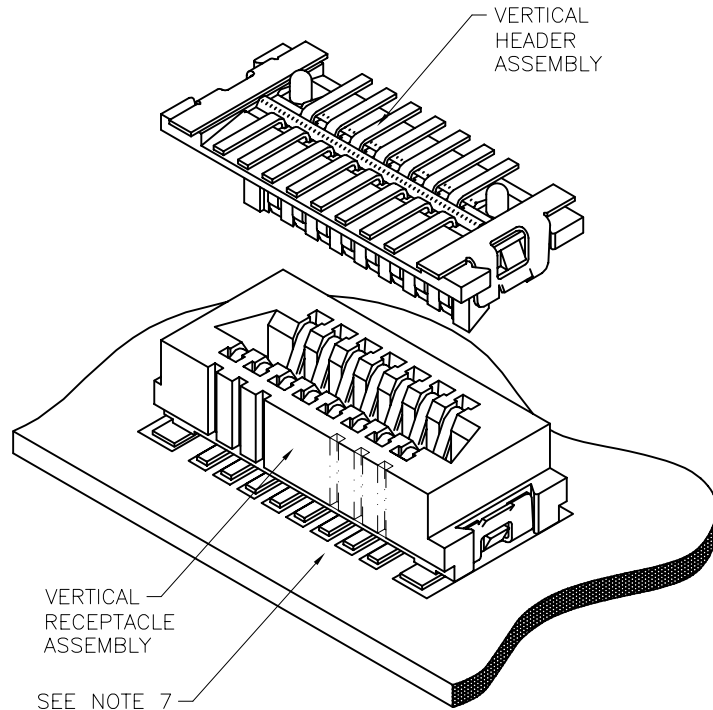


PRODUCT NUMBER  
SEE TABLE



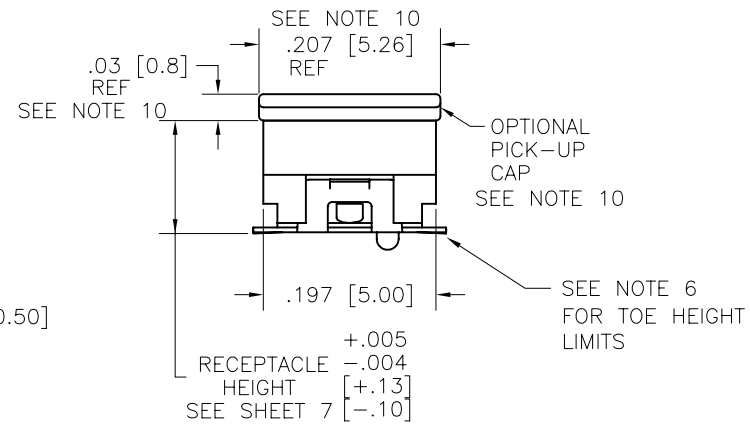
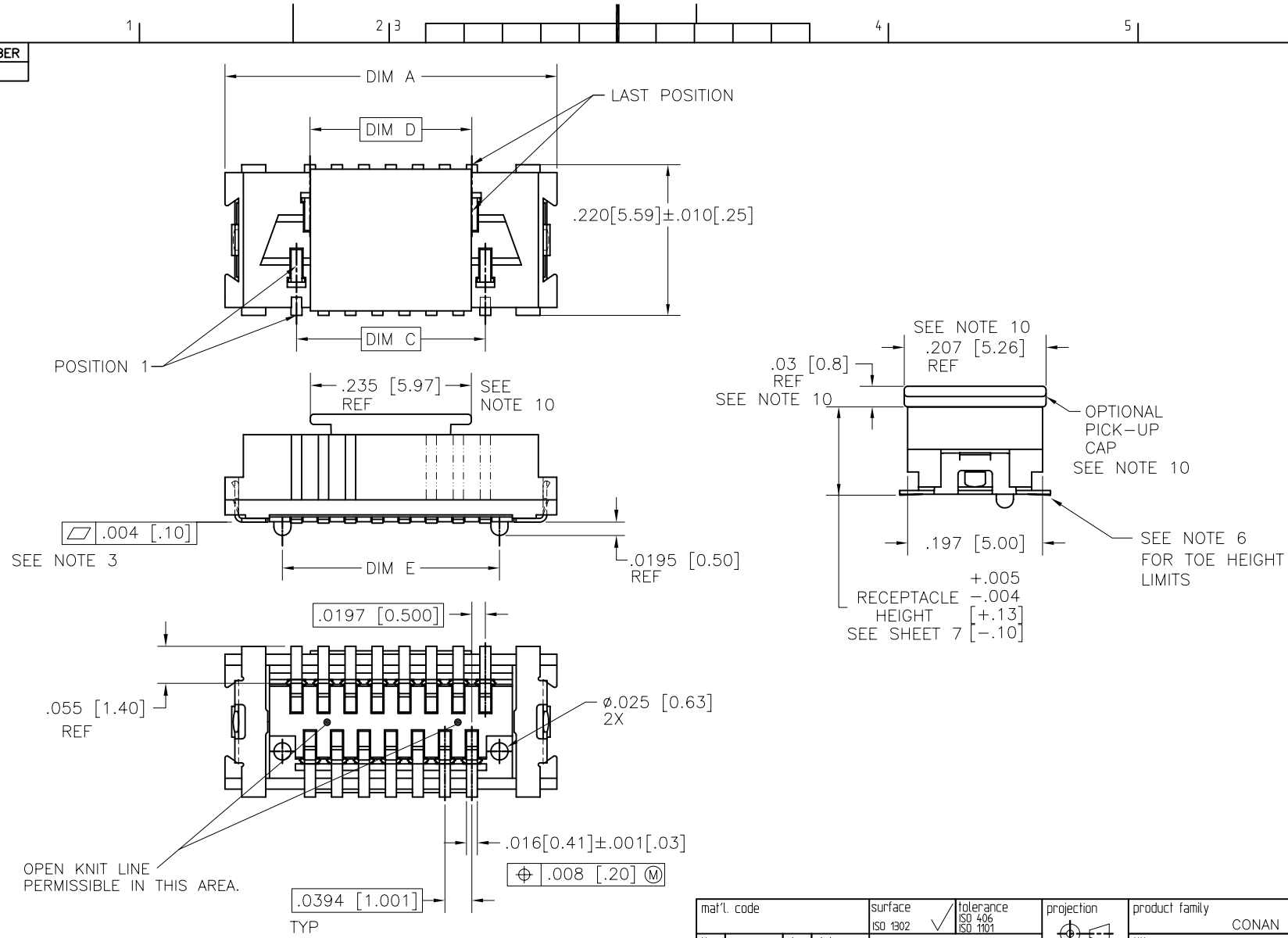
FCconnect.com

Copyright FCJ

mat'l. code			surface ISO 1302			tolerance ISO 406 ISO 1101			projection INCH/MM			product family CONAN		
ltr			ecn no			dr			date			title		
A			M08-0040			AGS			02/14/08			CONAN™ A-MAGNETIC CONNECTOR		
B			M08-0144			AGS			21/5/08			sheet 1 of 7 size		
C			M08-0150			MHT			5/26/08			10084781 A3		
									tolerances unless otherwise specified			type		
									angles			Product Customer Drawing		
									linear					
									0°±2'					
									.XX±.01/.X±.3					
									.XXX±.005/.XX±.13					
									.XXXX±.0020/.XXX±.051					
									scale 5:1					
									dr			A.GARCIA 02/14/08		
									engr			C.MARTINEZ 02/14/08		
									chr			C.MARTINEZ 02/14/08		
									appd			C.MARTINEZ 02/14/08		
sheet			revision			C			C			C		
index			sheet			1			2			3		
									4			5		
									6			7		

form A3

PRODUCT NUMBER  
SEE TABLE

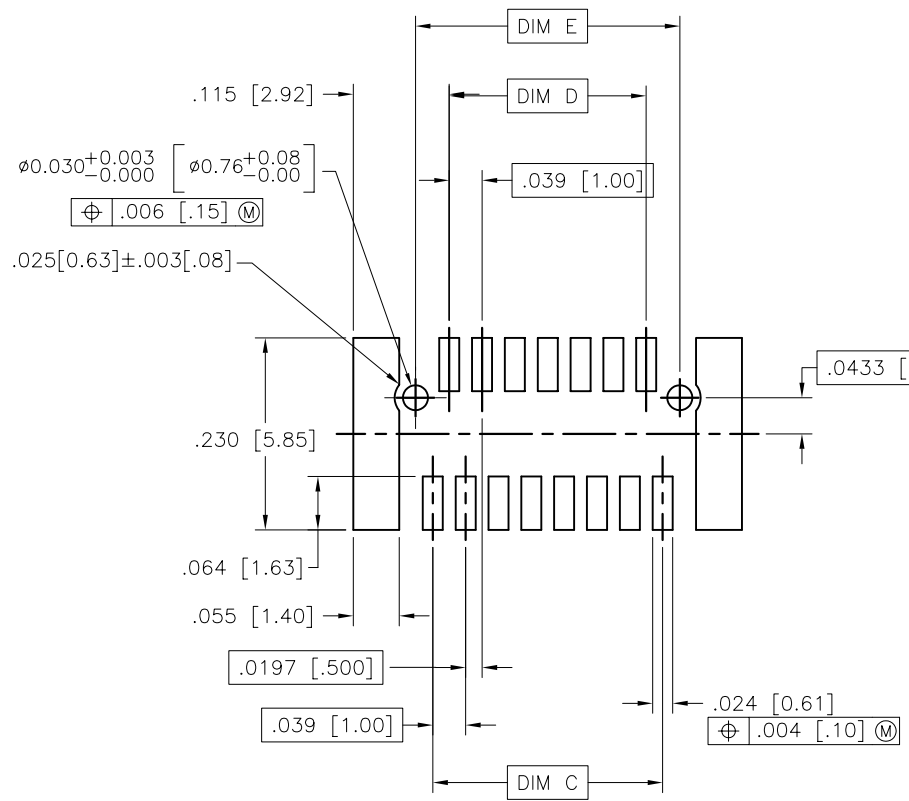


Copyright FCJ

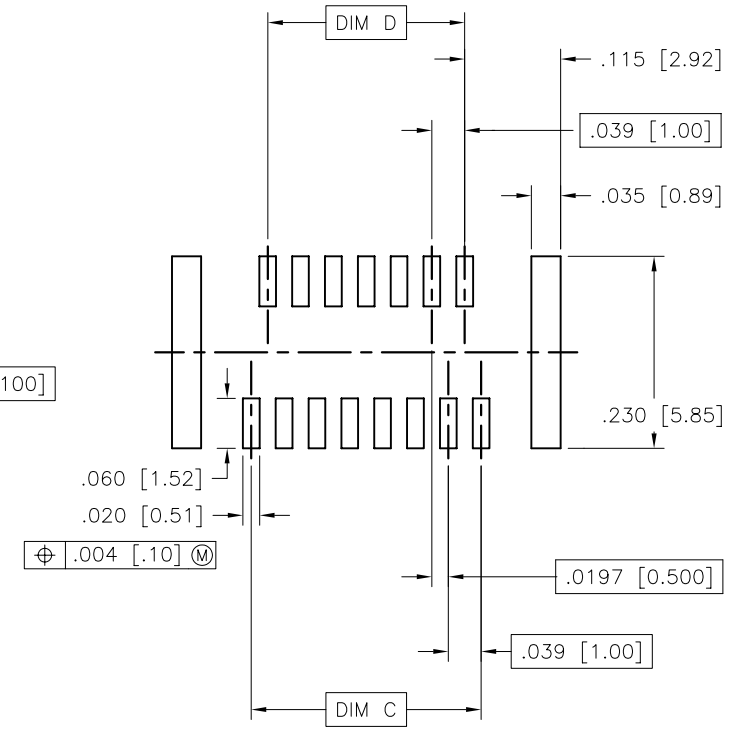
mat'l. code		surface ISO 1302	tolerance ISO 406 ISO 1101	projection INCH/MM	product family CONAN
ltr	ecn no	dr	date	tolerances unless otherwise specified	title
C				linear .XX±.01/XX±.3 angles .XXX±.005/XX±.13 0°±2' .XXXX±.0020/.XXX±.051	CONAN™ A-MAGNETIC CONNECTOR
				scale 5:1	dwg no 10084781
					sheet 2 of 7 size A3
					type Product Customer Drawing
sheet index	revision sheet				

form A3

PRODUCT NUMBER  
SEE TABLE



RECOMMENDED  
PAD LAYOUT



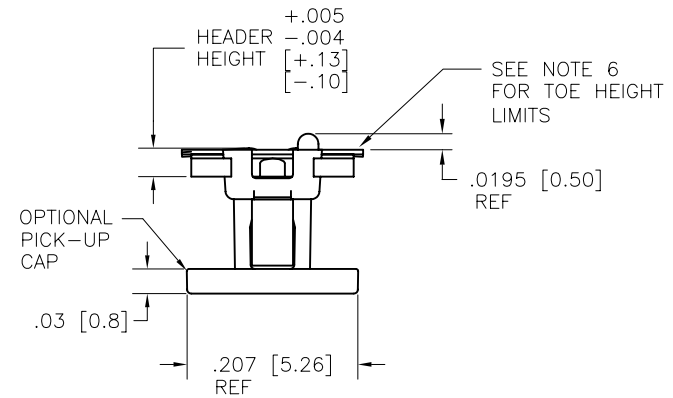
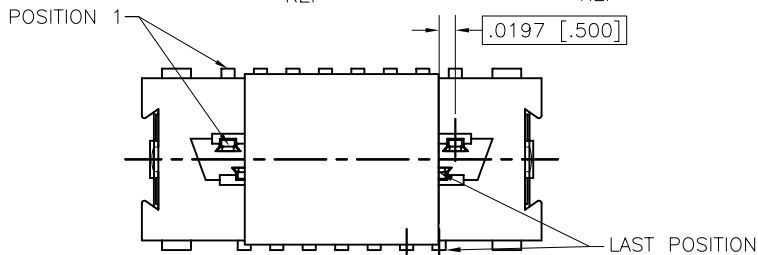
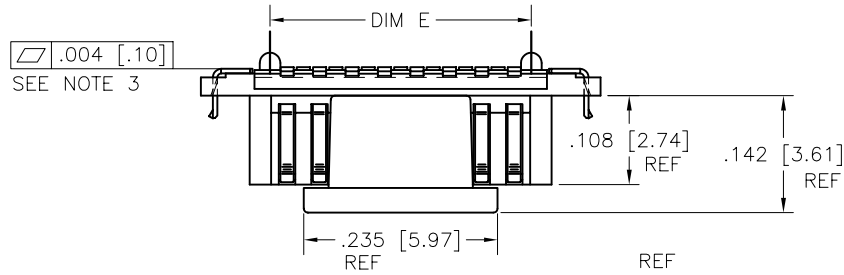
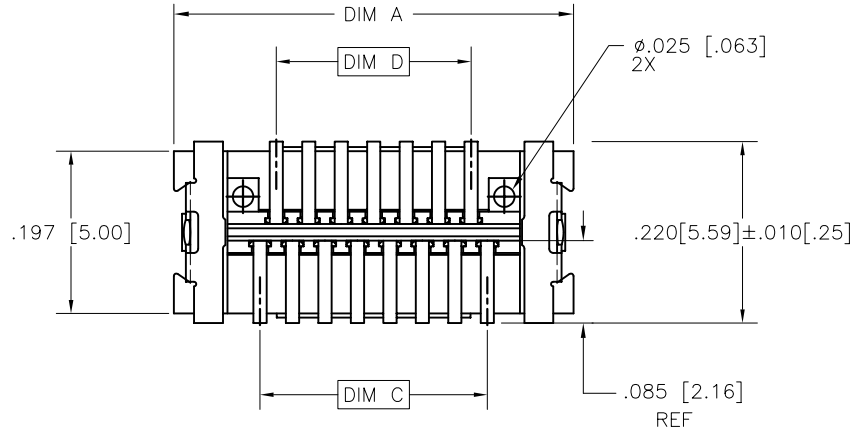
RECOMMENDED  
STENCIL LAYOUT  
FOR RECEPTACLE



Copyright FCI

mat'l. code		surface ISO 1302		tolerance ISO 406 ISO 1101		projection INCH/MM		product family CONAN	
ltr	ecn no	dr	date	tolerances unless otherwise specified		scale 5:1		title CONAN™ A-MAGNETIC CONNECTOR	
C				angles	linear			dwg no 10084781	
				0°±2'	.XX±.01/XX±.3 .XXX±.005/XX±.13 .XXXX±.0020/.XXX±.051			sheet 3 of 7 size A3	
				dr	A.GARCIA	02/14/08		type Product Customer Drawing	
				enr	C.MARTINEZ	02/14/08			
				chr	C.MARTINEZ	02/14/08			
				appd	C.MARTINEZ	02/14/08			
sheet index	revision sheet								

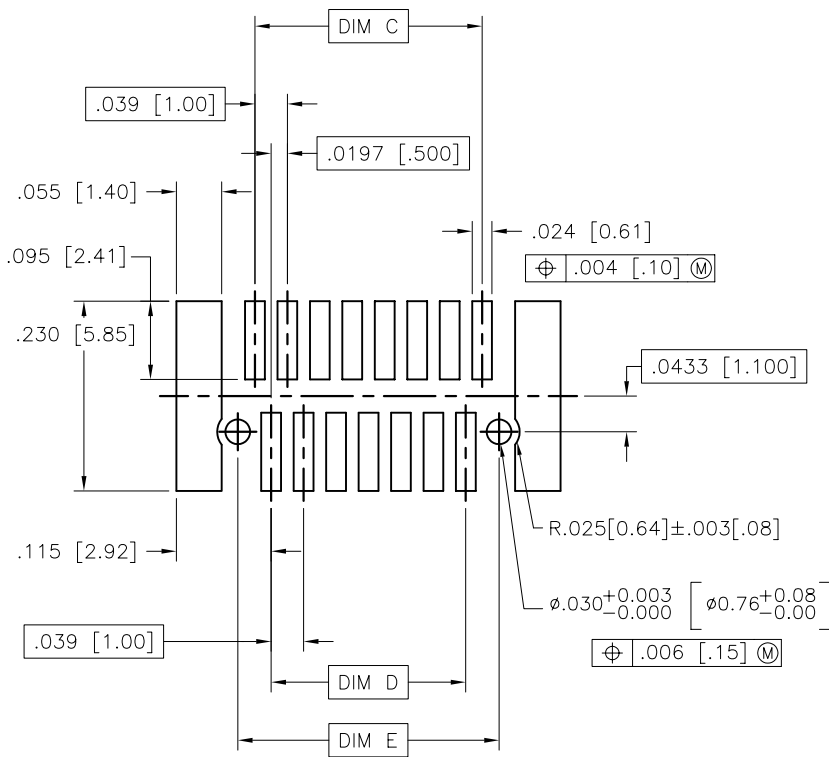
PRODUCT NUMBER  
SEE TABLE



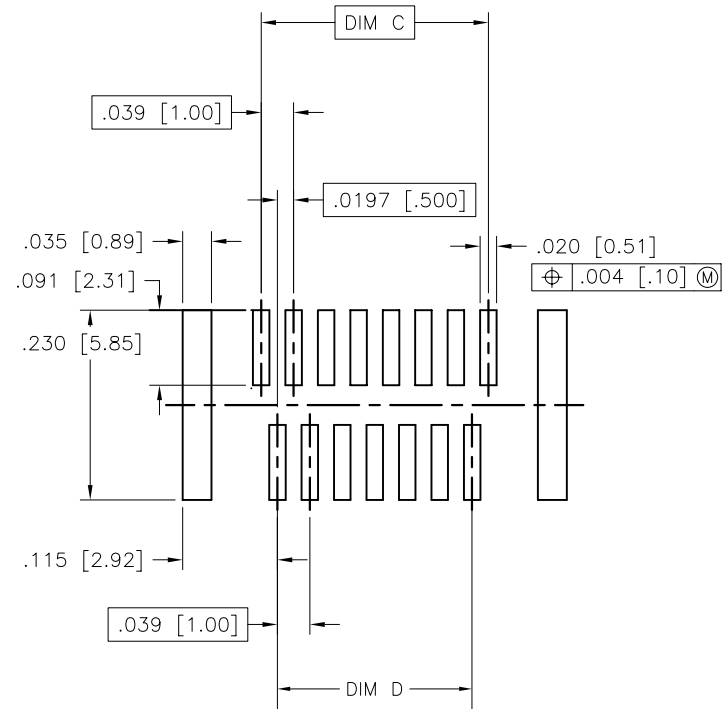
mat'l. code		surface ISO 1302		tolerance ISO 406 ISO 1101		projection INCH/MM		product family CONAN	
ltr	ecn no	dr	date	tolerances unless otherwise specified		scale 5:1		title CONAN™ A-MAGNETIC CONNECTOR	
C				angles	linear			dwg no 10084781	
				0°±2'	.XX±.01/XX±.3 .XXX±.005/XX±.13 .XXXX±.0020/XXX±.051			sheet 4 of 7 size A3	
				dr	A.GARCIA	02/14/08		type Product Customer Drawing	
				engr	C.MARTINEZ	02/14/08			
				chr	C.MARTINEZ	02/14/08			
				appd	C.MARTINEZ	02/14/08			
sheet	revision								
index	sheet								

FCJ  
 FCconnect.com  
 Copyright FCJ

PRODUCT NUMBER  
SEE TABLE



RECOMMENDED  
PAD LAYOUT



RECOMMENDED  
STENCIL LAYOUT  
FOR HEADER



Copyright FCJ

mat'l. code		surface ISO 1302		tolerance ISO 406 ISO 1101		projection INCH/MM		product family CONAN	
ltr	ecn no	dr	date	tolerances unless otherwise specified		scale 5:1		title CONAN™ A-MAGNETIC CONNECTOR	
C				angles	linear			dwg no 10084781	
				0°±2'	.XX±.01/XX±.3 .XXX±.005/XX±.13 .XXXX±.0020/XXX±.051			sheet 5 of 7 size A3	
				dr	A.GARCIA	02/14/08		type Product Customer Drawing	
				enr	C.MARTINEZ	02/14/08			
				chr	C.MARTINEZ	02/14/08			
				appd	C.MARTINEZ	02/14/08			
sheet index	revision								
	sheet								

PRODUCT NUMBER	POS	DIM "A"	DIM "C"	DIM "D"	DIM "E"
10084781-TCWXY09	9	.366 [9.30]	.157 [4.00]	.118 [3.00]	.1990 [5.055]
-TCWXY11	11	.406 [10.30]	.197 [5.00]	.157 [4.00]	.2380 [6.045]
-TCWXY15	15	.484 [12.30]	.276 [7.00]	.236 [6.00]	.3170 [8.052]
-TCWXY21	21	.602 [15.30]	.394 [10.00]	.354 [9.00]	.4350 [11.049]
-TCWXY25	25	.681 [17.30]	.472 [12.00]	.433 [11.00]	.5140 [13.056]
-TCWXY31	31	.800 [20.30]	.591 [15.00]	.551 [14.00]	.6320 [16.053]
-TCWXY41	41	.996 [25.30]	.787 [20.00]	.748 [19.00]	.8290 [21.057]
-TCWXY51	51	1.193 [30.30]	.984 [25.00]	.945 [24.00]	1.0260 [26.060]
-TCWXY69	69	1.547 [39.30]	1.339 [34.00]	1.299 [33.00]	1.3800 [35.052]

NOTES:

1. MATERIALS:  
HOUSING - LCP, UL-94V-0. COLOR: NATURAL.  
TERMINAL - COPPER ALLOY  
PLATED WITH 50u"/1.27u Au CONTACT AREA  
AND 200u"/5.08u SnPb ON SOLDER LEGS WITH  
AN OVERALL 50u"/1.27u Cu UNDERPLATE.
2. REFERENCE GS-12-006 FOR PRODUCT PERFORMANCE DATA.
- ③ SEE TA-774 FOR FURTHER DESCRIPTION OF HOW THIS DIMENSION IS APPLIED.
- ④ PICK AND PLACE CAP OR TAPE IS ONLY AVAILABLE WITH OPTION 3 PACKAGING. (PSA ADHESIVE SEALED). ALSO, PSA PACKAGING REQUIRES A PICK AND PLACE CAP.
5. RECOMMENDED SOLDER PASTE THICKNESS IS .006 TO .008 INCHES THICK.
- ⑥ THE TOE HEIGHT OF THE SOLDER TAIL SHALL BE MEASURED FROM THE LOWEST POINT OF THE .004 CO-PLANARITY GRAVITY PLANE. THIS MEASUREMENT IS NOT TO EXCEED A WINDOW OF .000 TO .007 INCHES.
- ⑦ THREE SLOTS MAY BE LOCATED AT EITHER END OF HOUSING.
- ⑧ 5.50mm MATED HEIGHT IS ONLY AVAILABLE IN 9, 15 AND 31 POS.
- ⑨ 7.50mm MATED HEIGHT IS ONLY AVAILABLE IN 9 POS.
- ⑩ APPLIES TO 10086535-213XYZZ AND 10084781-313XYZZ OPTIONS ONLY.
11. THE HOUSING WILL WITHSTAND EXPOSURE TO 260°C PEAK TEMPERATURE FOR 30 SECONDS IN A CONVECTION INFRA RED OR VAPOR PHASE REFLOW OVEN. SEE APPLICATION/PROCEDURES IF THEY ARE AVAILABLE



FCconnect.com

Copyright FCJ

mat'l. code		surface ISO 1302	tolerance ISO 406 ISO 1101	projection 	product family CONAN
ltr	ecn no	dr	date	tolerances unless otherwise specified	title
C				angles linear XX±.01/XX±.3 .XXX±.005/XX±.13 .XXXX±.0020/XXX±.051	CONAN™ A-MAGNETIC CONNECTOR
				0°±2°	INCH/MM scale 5:1
		dr	A.GARCIA	02/14/08	dwg no 10084781
		enr	C.MARTINEZ	02/14/08	sheet 6 of 7 size A3
		chr	C.MARTINEZ	02/14/08	type Product Customer Drawing
		appd	C.MARTINEZ	02/14/08	
sheet index	revision sheet				

form A3

PRODUCT NUMBER  
SEE TABLE

CONAN ASSEMBLY PART NUMBER

10084781 - T C W X Y ZZ

TYPE	T
HEADER WITH NO PEGS	0
HEADER WITH PEGS	1
RECEPTACLE WITH NO PEGS	2
RECEPTACLE WITH PEGS	3

PICK AND PLACE CAP OR TAPE (NOTE 4)	C
WITHOUT CAP OR TAPE	0
WITH CAP	1
WITH TAPE (RECEPTACLE ONLY)	2

PACKAGING	W
TUBE	2
PRESSURE SEALED TAPE & REEL	3

NOTE 4

Y	HEADER HEIGHT	RECEPTACLE HEIGHT	MATED HEIGHT	+ .010 - .008 [+.25] [-.20]
1	.034 [.86]	.129 [3.28]	.163 [4.15]	
2	.048 [1.23]	SEE Y=1 FOR ALL RECEPTACLES	.177 [4.50]	
3	.068 [1.73]		.197 [5.00]	
4	.107 [2.72]		.236 [6.00]	
5	.1465 [3.721]		.276 [7.00]	
* 6	.088 [2.23]		.216 [5.50]	
* * 7	.1665 [4.229]		.296 [7.52]	

\* NOTE 8  
\* \* NOTE 9

X	PLATING
1	50u"/1.27u Au

ZZ	NUMBER OF POSITIONS
09	9
11	11
15	15
21	21
25	25
31	31
41	41
51	51
69	69

EXAMPLE: 10084781-2131125  
IS A CONAN RECEPTACLE ASSEMBLY,  
HAVING NO PEGS AND WITH A PICK AND PLACE CAP.  
IT ALSO HAS AU PLATING, IS .13 [3.2] HIGH AND 25  
POSITIONS AND IS PACKAGED IN PRESSURE SEALED TAPE,  
REEL



Copyright FCI

mat'l. code		surface ISO 1302		tolerance ISO 406 ISO 1101		projection 		product family CONAN	
ltr	ecn no	dr	date	tolerances unless otherwise specified		INCH/MM		title CONAN™ A-MAGNETIC CONNECTOR	
C				angles	linear	scale 5:1		dwg no 10084781	
				0°±2°	.XX±.01/.X±.3 .XXX±.005/.XX±.13 .XXXX±.0020/.XXX±.051			sheet 7 of 7 size A3	
				dr	A.GARCIA	02/14/08		type Product Customer Drawing	
				enr	C.MARTINEZ	02/14/08			
				chr	C.MARTINEZ	02/14/08			
				appd	C.MARTINEZ	02/14/08			
sheet index	revision sheet								

form A3