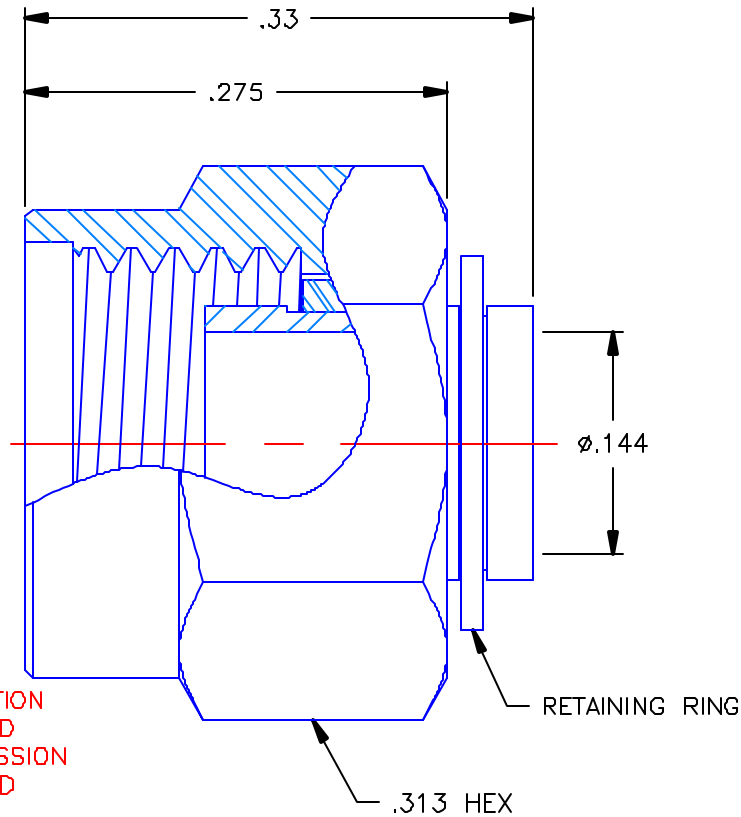


| REVISIONS |             |          |          |
|-----------|-------------|----------|----------|
| REV       | DESCRIPTION | DATE     | APPROVED |
| B         | ECO #5161   | 10/28/03 | A.D.M.   |



PROPRIETARY INFORMATION  
NOT TO BE RELEASED  
WITHOUT WRITTEN PERMISSION  
FROM AN AUTHORIZED  
REPRESENTATIVE OF  
APPLIED ENGINEERING PRODUCTS


NOTES: CONFORMS TO MIL-C-39012 SMA SERIES

**MATERIALS:**

1. BODY & COUPLING NUT = STAINLESS STEEL PER ASTM A582, ALLOY 303, CONDITION "A".
2. RETAINING RING = BERYLLIUM COPPER PER ASTM B196, ALLOY C17300, TEMPER TD04.
3. GASKET = SILICONE RUBBER PER ZZ-R-765, CLASS 2B, GRADE 65-75.

**FINISHES:**

1. BODY = GOLD PLATE PER MIL-G-45204, TYPE II, CLASS 0, GRADE C, OVER .000050 TO .00010 STRESS FREE NICKEL PER QQ-N-290.
2. COUPLING NUT = PASSIVATE QQ-P-35, TYPE VI.
3. RETAINING RING = NICKEL PLATE PER QQ-N-290, CLASS 1, GRADE G, EXCEPT .0001 TO .0002 THICK OVER .00005 TO .0001 THICK COPPER PER MIL-C-14550.

|   |                       |                          |  |
|---|-----------------------|--------------------------|--|
| UNLESS OTHERWISE SPECIFIED<br>DIMENSIONS ARE IN INCHES<br>TOLERANCES ON | DWN.<br>A D.M.        | DATE<br>10/27/03         |  <b>APPLIED ENGINEERING PRODUCTS</b><br>104 John W. Murphy Dr.<br>New Haven, CT 06513 |
|   | CHKD:                 | DATE<br>10/28/03         |  |
| DECIMAL   | ANGLE                 | D.N.<br>D.J.C.           | SMA STRAIGHT PLUG<br>DIRECT SOLDER TYPE<br>FOR .141 S/R CABLE  |
|   |                       | APVD:<br>D.J.C.          |  |
| REFERENCE:  | MATERIALS & FINISHES: | SIZE<br>A                | FSCM NO.<br>19505  |
| ORIGINATOR: D.N.<br>DATE: 01/09/90                                      | SEE NOTES             | DWG NO.<br>9301-1063-009 | REV<br>B   |
|   |                       | SCALE 8:1                | SHEET 1 OF 1   |

9301-1063-009