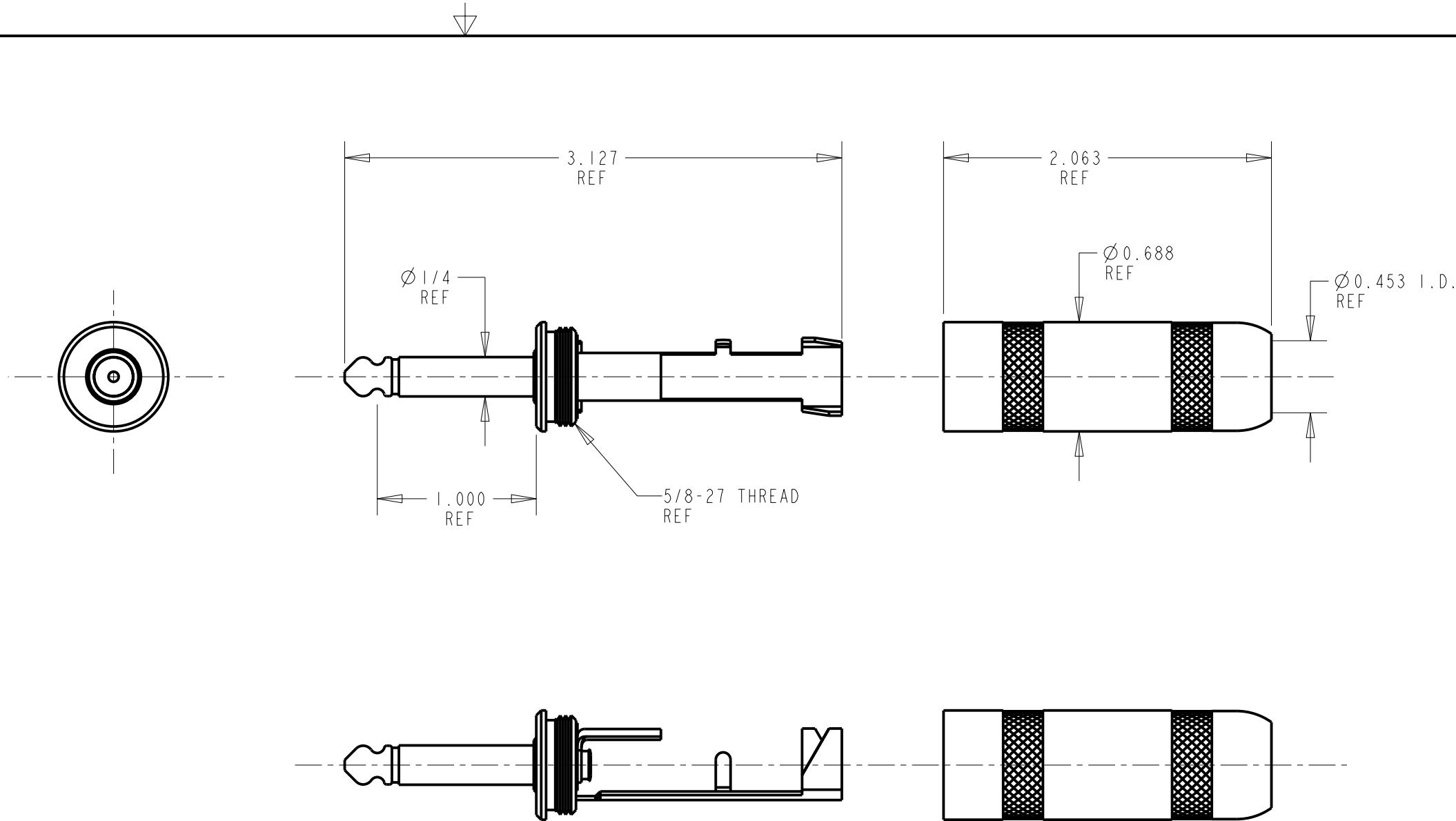


SCALE 1:1



MATERIAL

TIP ROD & SLEEVE: BRASS, NICKEL PLATED
 INSULATORS: CELANESE, MYLAR, PHENOLIC, NORYL
 TIP TERMINAL: BRASS, ELECTROTIN PLATED
 CABLE CLAMP: BRASS, ELECTROTIN PLATED
 HANDLE: BRASS, NICKEL PLATED

CUSTOMER DRAWING

					☆ STAR SYMBOL DENOTES CRITICAL DIMENSION UNLESS OTHERWISE SPECIFIED 1. ALL DIMENSIONS IN INCHES - TWO PLACE DECIMALS ±0.01 - THREE PLACE DECIMALS ±0.005 - ANGLES ±1° - ALL DIA. CONCENTRIC WITHIN 0.005 T.I.R. 2. FEATURES ON THE SAME CENTERLINE MUST BE ALIGNED WITHIN ±0.002 3. REMOVE ALL BURRS	THIS DRAWING DESCRIBES A DESIGN CONSIDERED PROPRIETARY IN NATURE, DEVELOPED AND MANUFACTURED BY SWITCHCRAFT INC. AND IS RELEASED ON A CONFIDENTIAL BASIS FOR IDENTIFICATION PURPOSES ONLY.			
						SIZE FINISH SPEC No.	WIDTH MULT	LBS/M	TEMPER
						FIRST USED ON DATE DRAWN 12-15-93	SCALE 6:5 BY LR	APVD TO 1-7-94	MATERIAL SPEC No. Switchcraft® SHEET OF
					NAME HIGH POWER PHONE PLUG			PART No. 188	REV C
					REVISIONS DO NOT SCALE DRAWING				