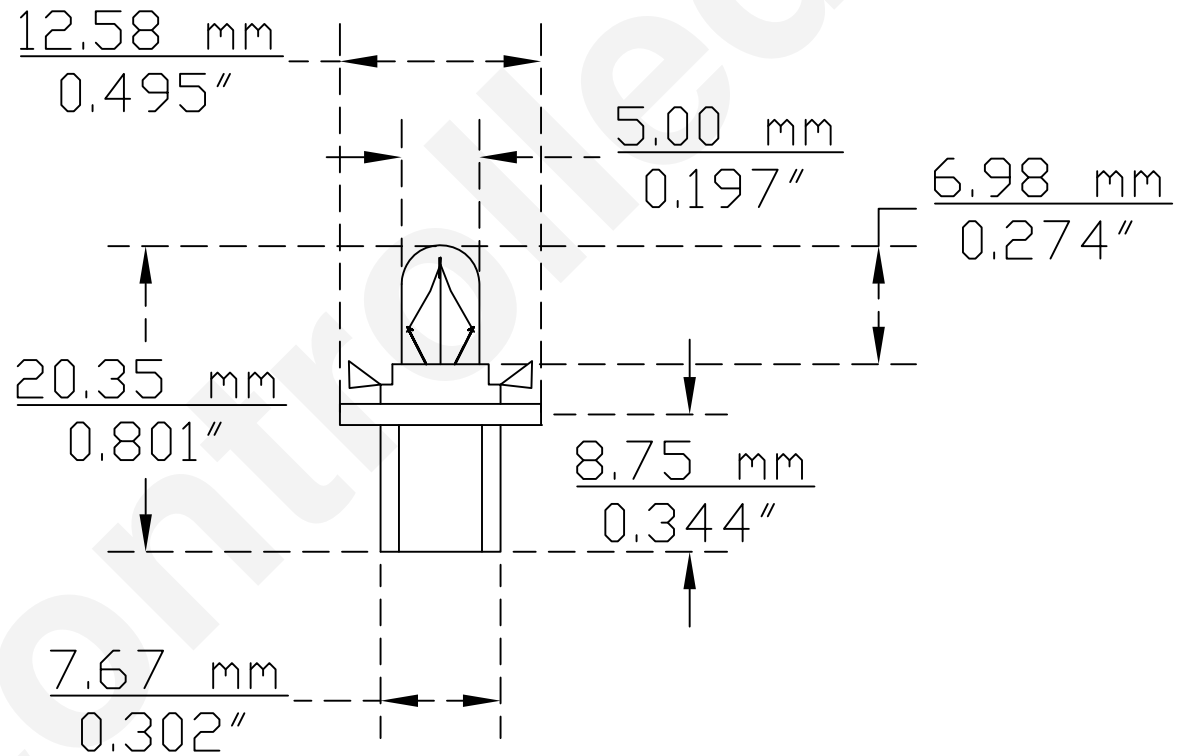
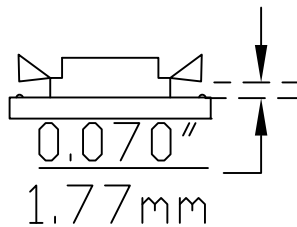


PART NO.	BASE TYPE	DESIGN VOLTS	DESIGN WATTS	AMPS	FILAMENT TYPE	AVG LIFE
2752MF	BX8.5d	12.0	1.5	0.125	C-2V	300

REVISIONS				
ZONE	REV	DESCRIPTION	DATE	APPROVED
	B	measurement of upper & lower connect pins Thickness of the circuit board.	08/07/2014	Sidney L.

Thickness of the Circuit Board = 0.0615"



UNLESS OTHERWISE SPECIFIED: DIMENSIONS ARE IN INCHES TOLERANCES	
DECIMALS .XX ± .05 .XXX ± .010 FRACTIONAL	ANGULAR ± 0.5° ± 1/64
DRAWN Sidney Liu	DATE 11/23/2010
CHECKED	
DESIGN	
MATERIAL	

CEC INDUSTRIES LTD			
599 BOND STREET		LINCOLNSHIRE, IL 60069	
TITLE			
LIGHT BULB NO. 2752MF			
SIZE A	FSCM NO.	DWG NO. 2752MF.dwg	REV A
SCALE	PLOT SCALE	SHEET 1 OF 1	
FILE C:\AUTOCAD\2752MF.dwg		DO NOT SCALE DRAWING	