



- 10/100 Base-T Ethernet Application
- Impedance: 100OHMS
- Transmit open circuit inductance (OCL): 350uH (MIN) @100KHz,0.1VRMS with 8mA DC Bias
- RJ45 jack cavity conforms to FCC rules and regulations Part 68, SUB Part F
- Standard operating temp: 0°C to +70°C

Electrical Specifications @ 25°C

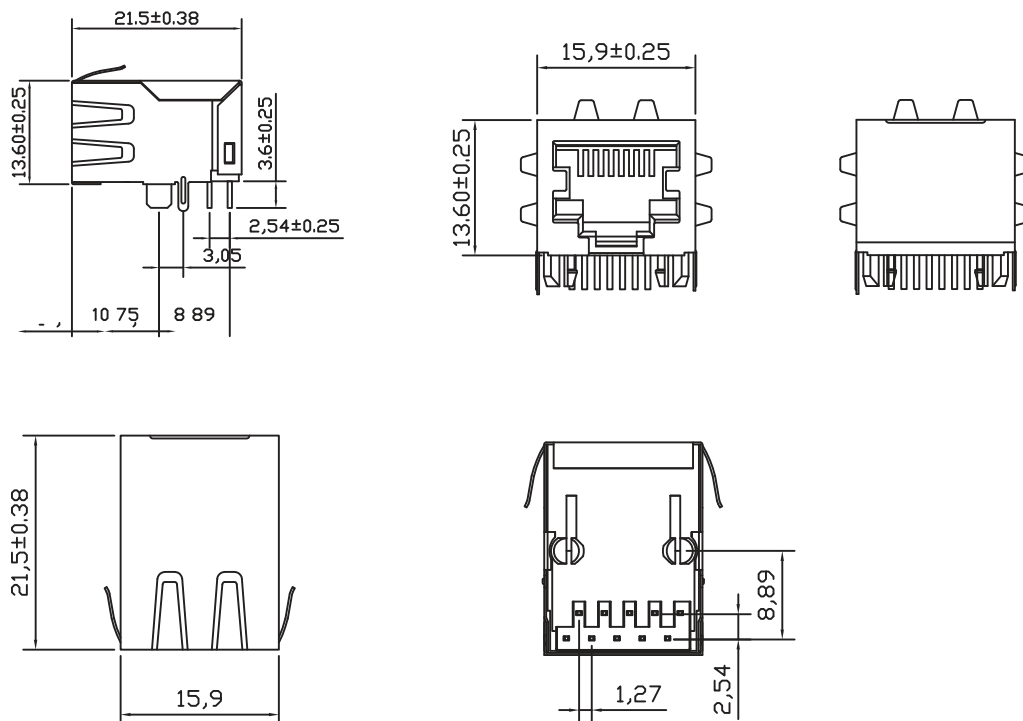
| Part Number | OCL(uH Min) @ 100kHz, 0.1V With 8mA DC Bias | Turns Ratio chip: cable (± 2%) | Cross Talk (dB Min) | | | | HI-POT (dB Min) | |
|-------------|---|--------------------------------------|------------------------|-------|-------|--------|---------------------|------------------|
| | | | 0.5-10MHz | 50MHz | 50MHz | 100MHz | without capacitance | with capacitance |
| AR11-3876 | 350 | 1CT:1CT | -50 | -40 | -35 | -30 | 1500 | 2250 |

Electrical Specifications @ 25°C

| Part Number | Insertion Loss (dB Max) | | Return Loss (dB Min) @ Load 100 Ohm | | | | CMR (dB Min) | |
|-------------|----------------------------|--------------------------|--|----------|-------|----------|-----------------|-------------------------|
| | 1-100MHz | 100-125 MHz (10/100/100) | 1-30MHz | 30-50MHz | 60MHz | 60-80MHz | | 80-100MHz (10/100/1000) |
| AR11-3876 | -1.0 | -1.2 | -18 | -16 | -14 | -12 | -10 | -30 |

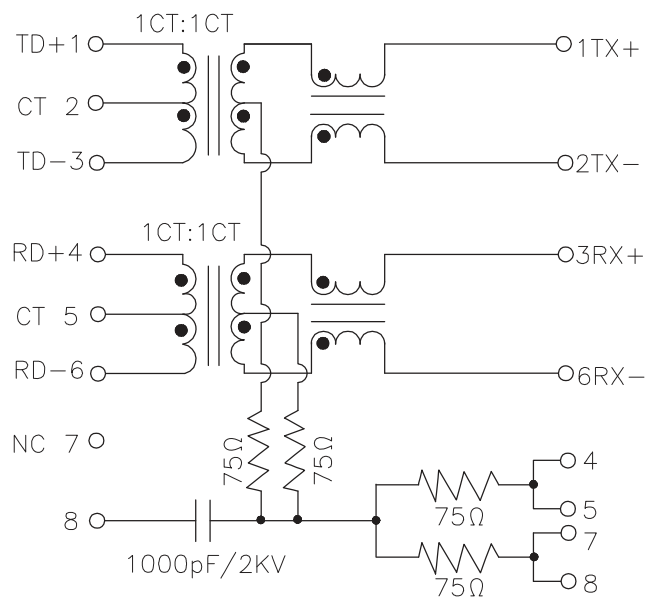
All specifications subject to change without notice.

MECHANICAL

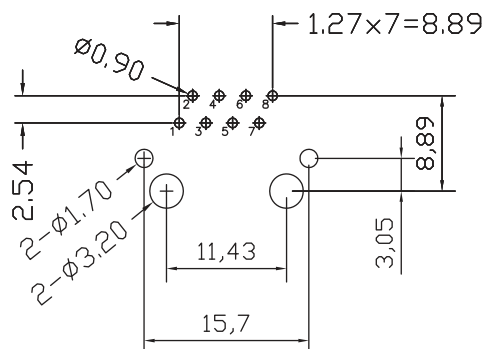




SCHEMATICS



PCB LAYOUT



NOTES

- | | |
|--------------------|---|
| 1. Shield- | 0.20mm THICKNESS BRASS C2680 H. PLATING NICKEL 20u" Min. |
| 2. Housing- | Standard Material Nylon66, Glass filled Polyester UL94V-0 Standard Color Black. |
| 3. RJ Terminal- | Plastic: Nylon66 G.F, UL94V-0, Standard Color Black. Pin: 0.35mm Thickness Phos-Bronze C5210 EH. Plating: Nickel 40u"~60u", for all and Sn100u"~120u", and Gold Plating 50u". |
| 4. Input Terminal- | Plastic: Nylon66, Glass Filled, UL94V-0, Standard Color Black. Pin: 0.35mm Thickness Phos-Bronze C2680. Plating: Nickel 40u"~60u" for all and Plating Sn 100u"~120u". |