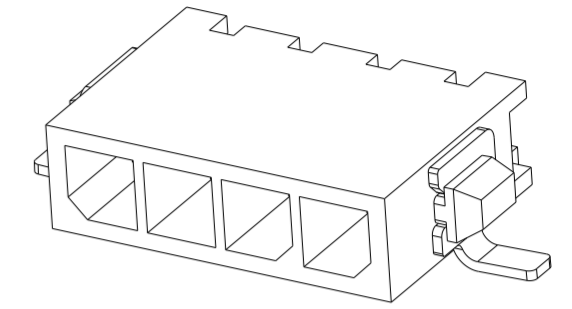
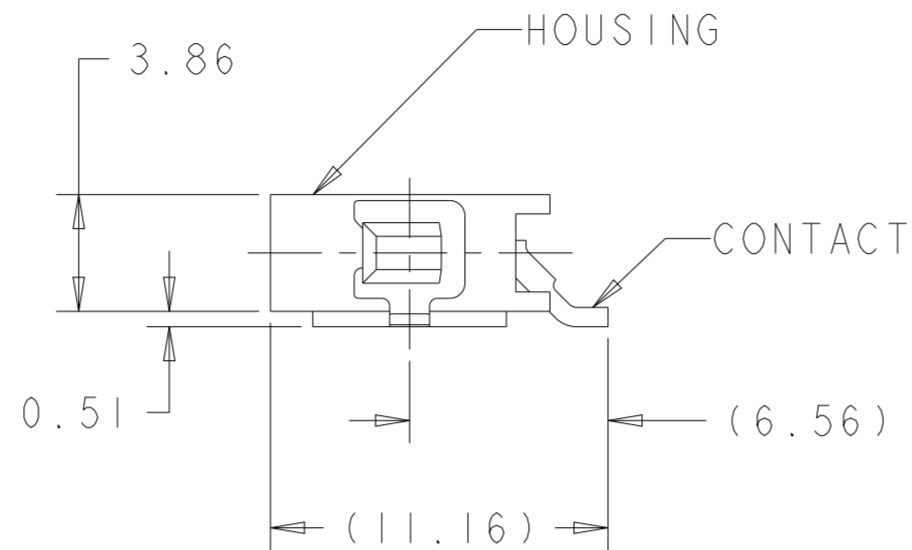
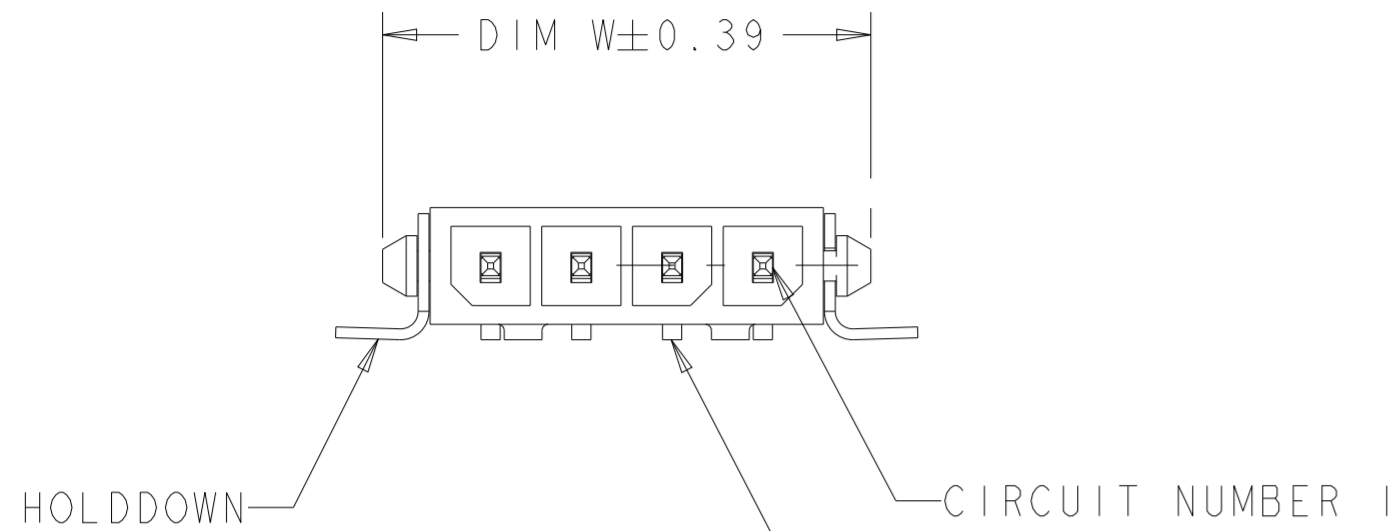
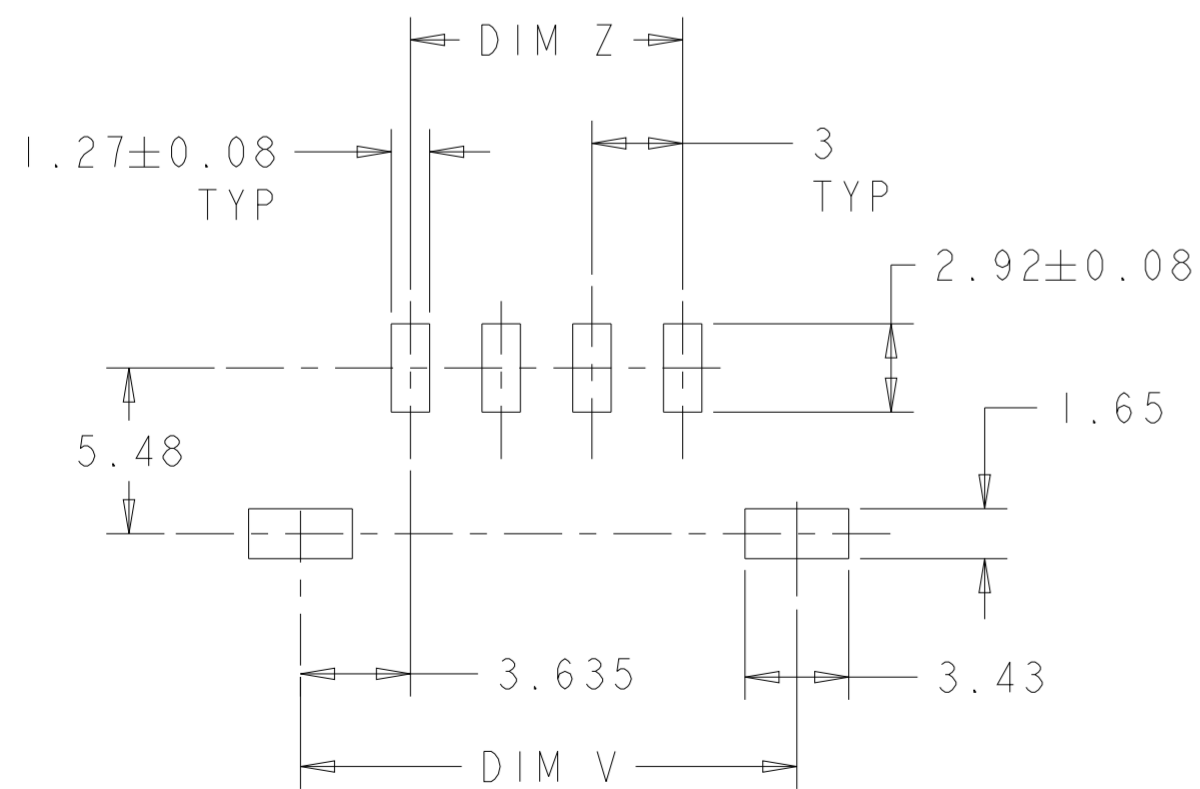
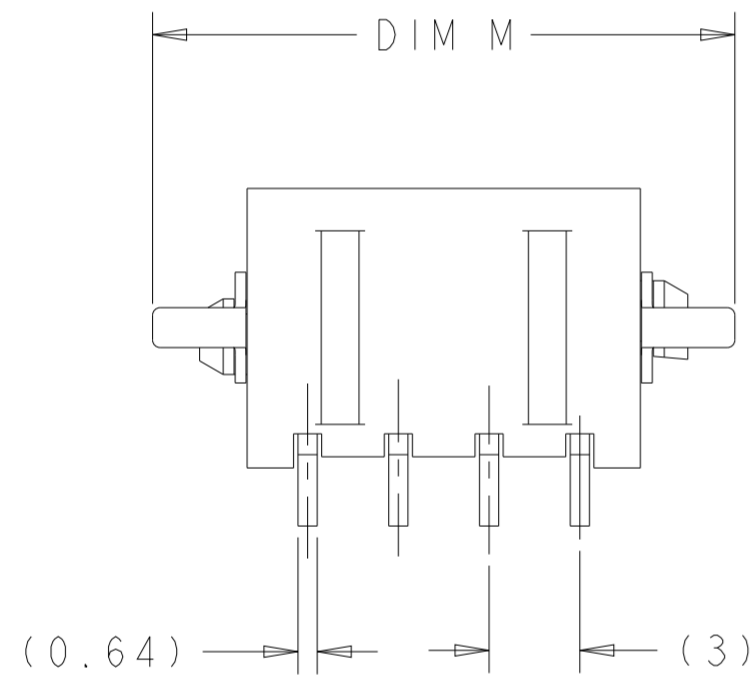


P	LTR	DESCRIPTION	DATE	DWN	APVD
A		WR-08-62	19NOV2008	KW	CJ
A1		ECO-19-006934	06MAY2019	AP	WS
A2		REVISED PER ECN-23-198901	24FEB2023	WLS	VS

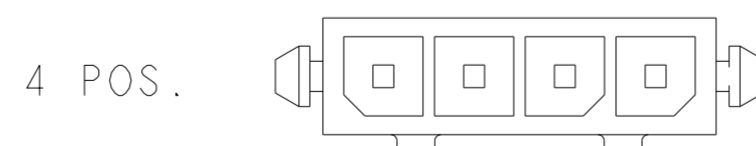
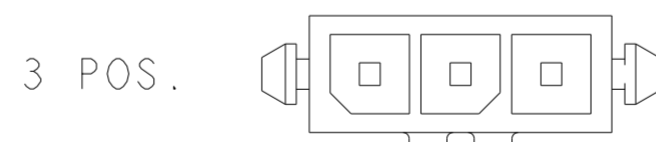
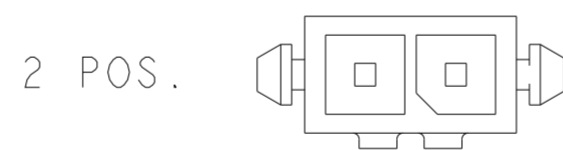


0.15
INCLUDES CONTACT TAILS,
HOUSING STANDOFFS,
AND BOARDLOCKS.

- 1 MATERIAL: HOUSING - UL 94V-0 RATED HIGH TEMP NYLON, COLOR BLACK.
CONTACTS - BRASS.
HOLDDOWNS - PHOSPHOR BRONZE.
- 2 PLATING: CONTACTS - 0.76µm MINIMUM GOLD ON MATING END,
2.54µm MINIMUM MATTE TIN ON SOLDER TAILS,
ALL OVER 1.27µm MINIMUM NICKEL.
HOLDDOWNS - 2.54µm MINIMUM MATTE TIN OVER 1.27µm MINIMUM NICKEL.
- 3 RECOMMENDED PC BOARD THICKNESS OF 1.57.



PCB LAYOUT COMPONENT SIDE 3



KEYING BY POSITION SIZE

19.25	9	16	16.27	4	2029266-4
16.25	6	13	13.27	3	2029266-3
13.25	3	10	10.27	2	2029266-2
DIM M	DIM Z	DIM W	DIM V	NO. OF POSN	PART NUMBER

THIS DRAWING IS A CONTROLLED DOCUMENT.		DWN K. WHITAKER 19NOV2008	TE Connectivity		
DIMENSIONS: mm		CHK C. JONES 19NOV2008			
TOLERANCES UNLESS OTHERWISE SPECIFIED:		APVD C. JONES 19NOV2008	NAME RTANG SURF MNT HDR ASSY, SIDE LOCK, 0.76 GOLD, SURF MOUNT HOLDDOWNS, SINGLE ROW, MICRO MATE-N-LOK(TM)		
0 PLC ± 1 PLC ± 2 PLC ±0.13 3 PLC ± 4 PLC ± ANGLES ±°		PRODUCT SPEC 108-1836	SIZE A2	CAGE CODE 00779	DRAWING NO C-2029266
MATERIAL 1		FINISH 2	WEIGHT -	RESTRICTED TO -	SCALE 4:1
CUSTOMER DRAWING			SHEET 1	OF 1	REV A2