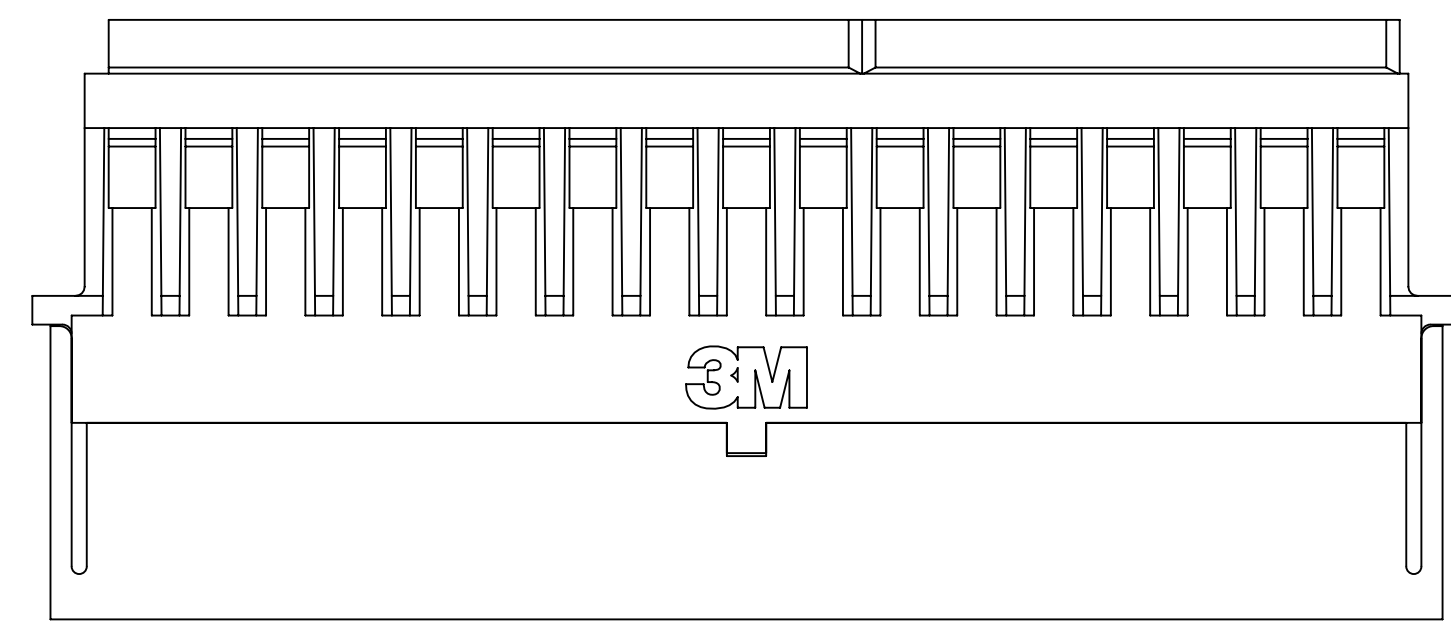
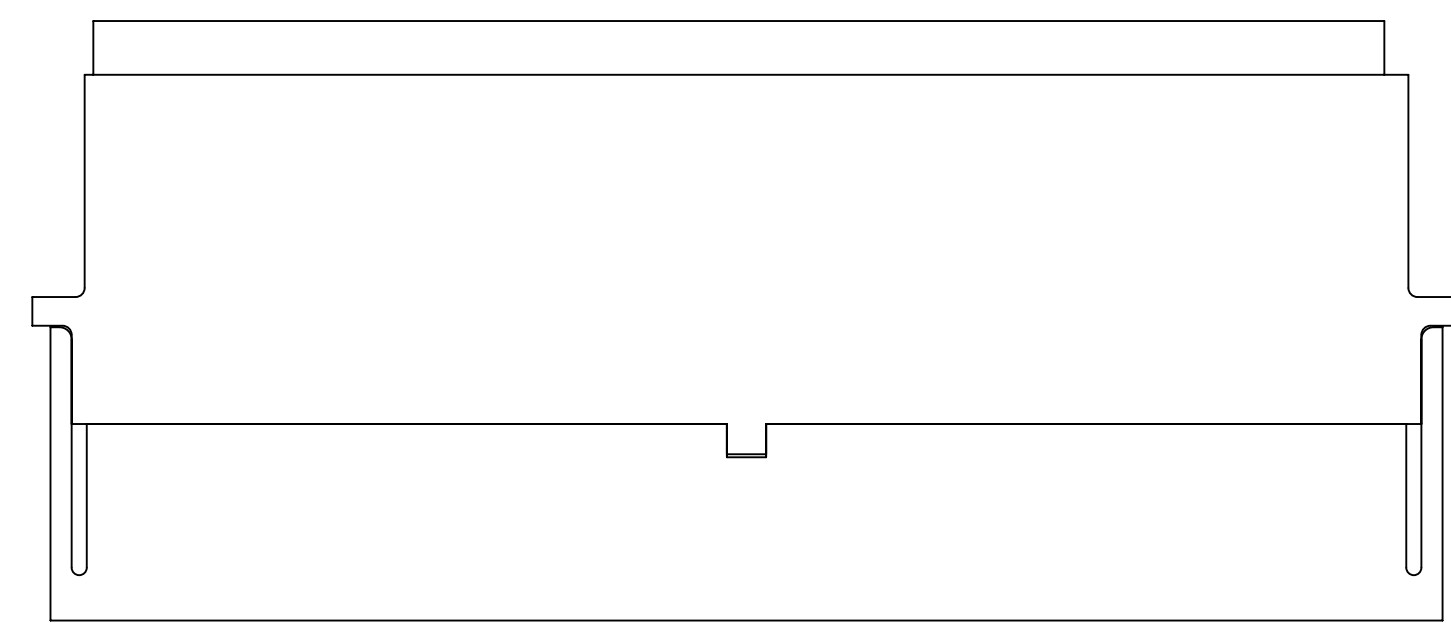


3M™ SHIELDED CONTROLLED IMPEDANCE (SCI)

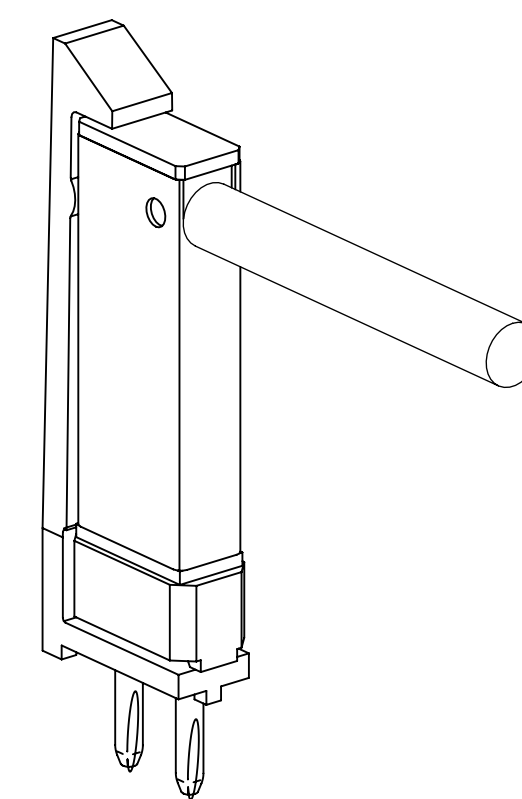
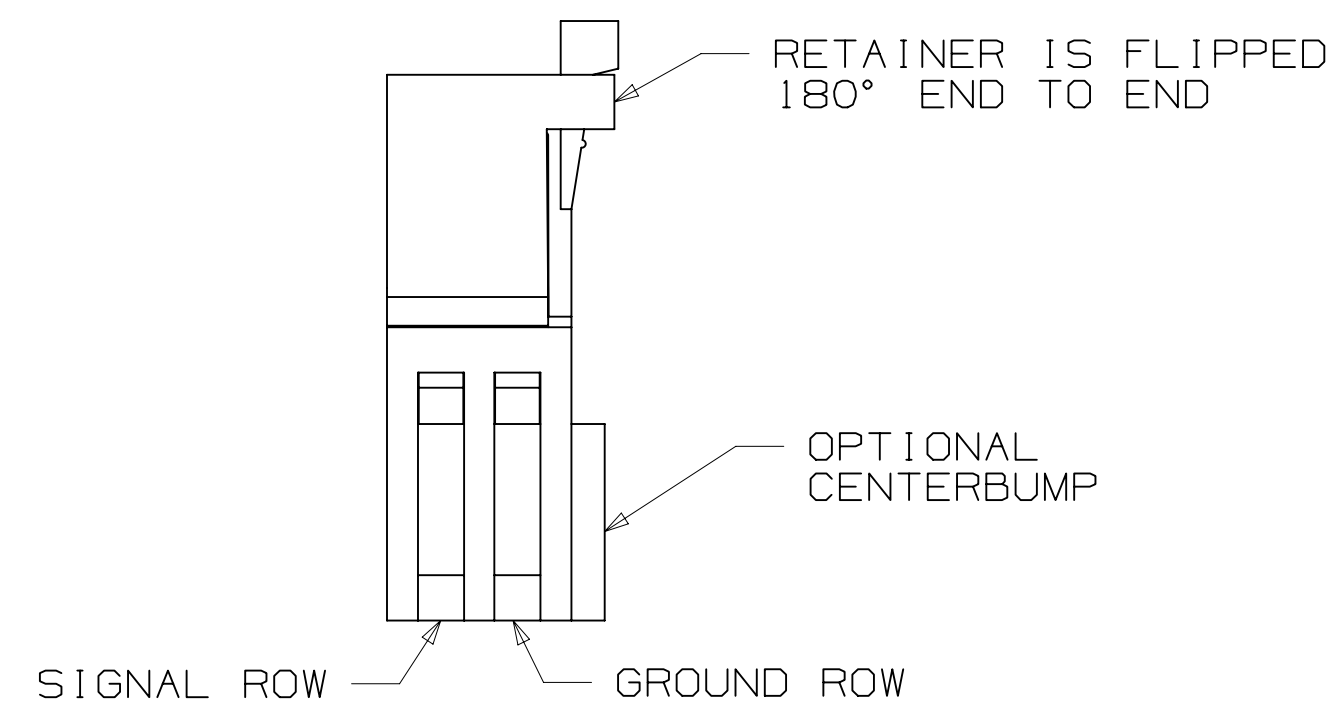
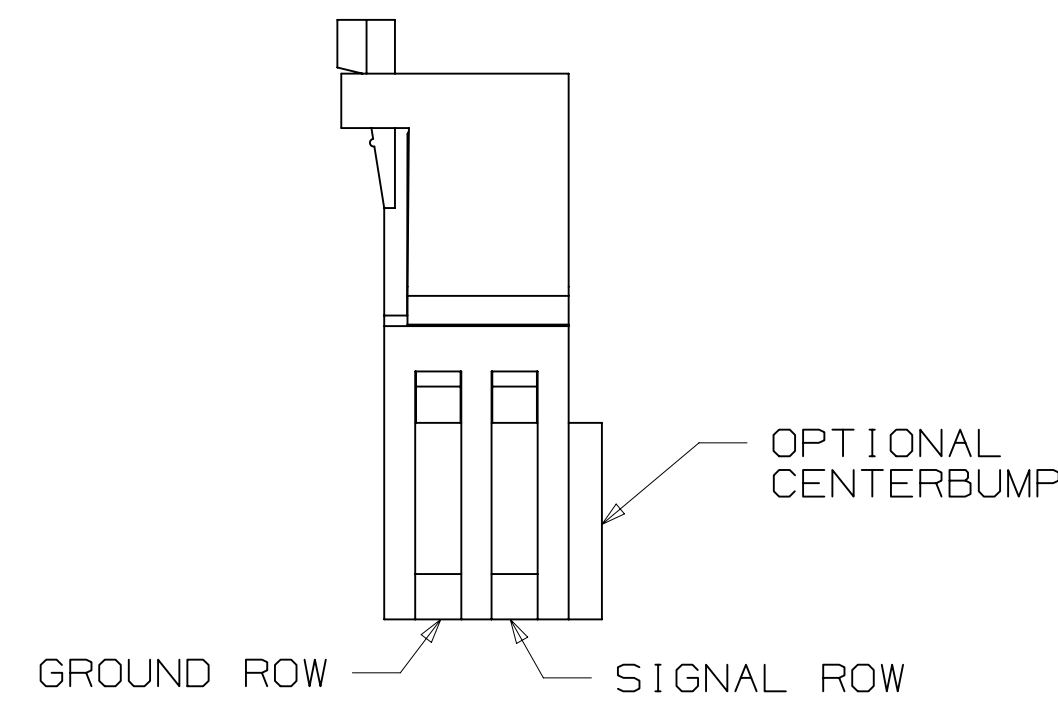
.100" ASSEMBLY HARDWARE



98XX-PSMO
NORMAL "MO" RETENTION STYLE



98XX-PSMR
REVERSE "MR" RETENTION STYLE



NOTE:
1) PIN STRIP LATCH IS FOR USE WITH
.100 SCI, RIGHT ANGLE CONNECTOR
TYPE 22 ONLY.
(SEE TECH SHEET TS-0803)

2 ROW CARRIER HOUSING

- * CARRIERS AVAILABLE IN 3M .100" X .100" (2.54MM X 2.54MM) SOCKET.
- * COMPATIBLE WITH ALL 3M .100" X .100" (2.54MM X 2.54MM) HEADERS.
- * AVAILABLE IN SHORT OR LONG LATCH STYLES. CHECK STYLE FOR MATCH.

3 X 7 CARRIER HOUSING

- * INTEGRAL LOCKING FEATURE.
- * INCLUDES TWO RETENTION CLIPS.

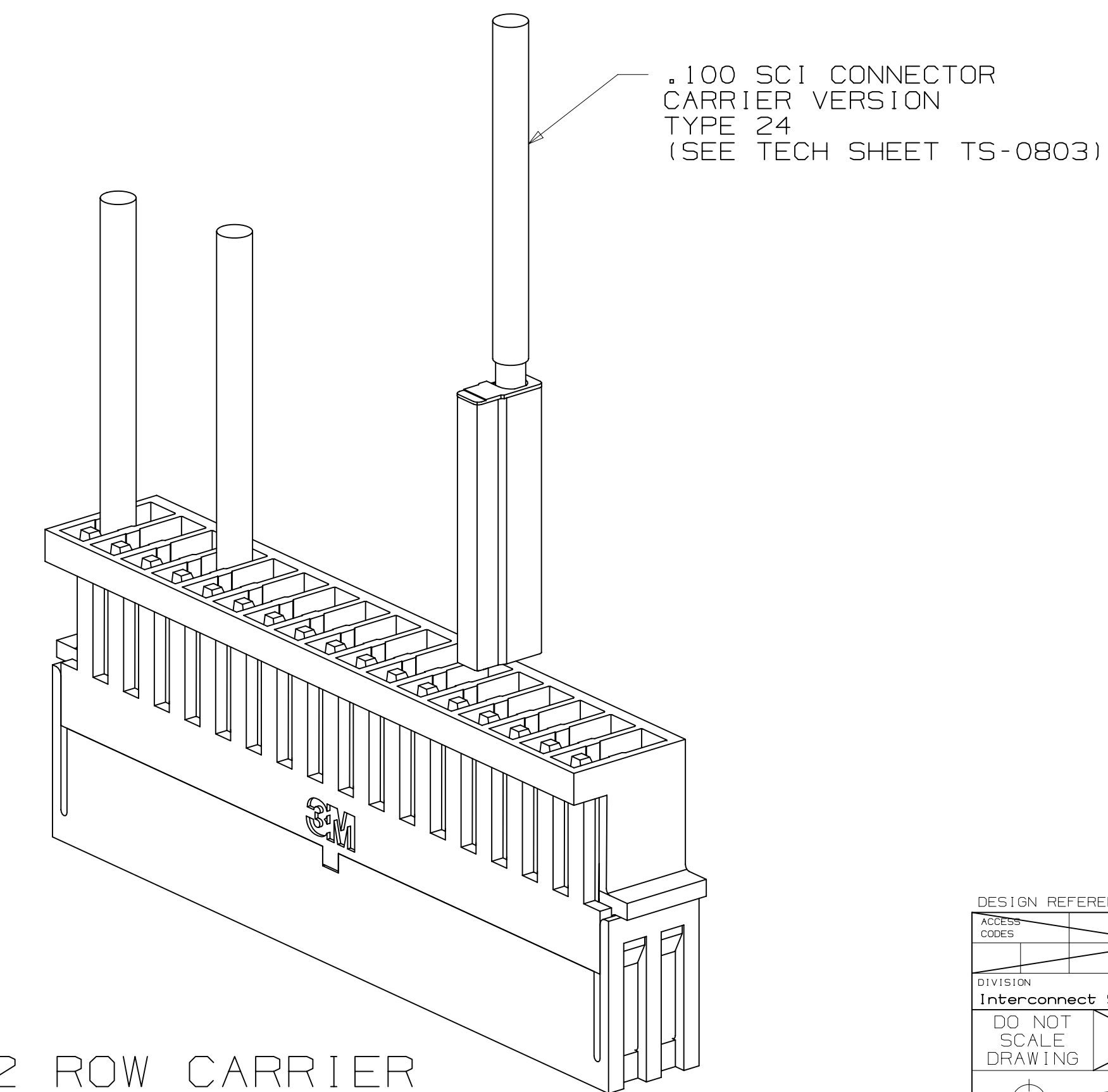
PIN STRIP LATCH

- * AVAILABLE FOR THE RIGHT ANGLE SCI CONNECTOR.
- * RoHS COMPLIANT

2 PHYSICAL :

INSULATION MATERIAL:

- 2 ROW CARRIER: POLYCARBONATE
- 3 X 7 CARRIER: GLASS REINFORCED POLYESTER
- COLOR: BLACK
- FLAMMABILITY: UL 94V-0
- MARKINGS: 3M LOGO
- CONTACTS: COPPER ALLOY



NOTES

- REGULATORY INFORMATION:
VISIT 3M.com/regs
- IN THE EVENT OF CONFLICT BETWEEN THIS DATA AND THAT CONTAINED IN THE PRODUCT SPECIFICATION, THE PRODUCT SPECIFICATION TAKES PRECEDENT.

3M ELECTRONICS MATERIALS SOLUTIONS DIVISION
INTERCONNECT SOLUTIONS
<http://www.3M.com/interconnect>

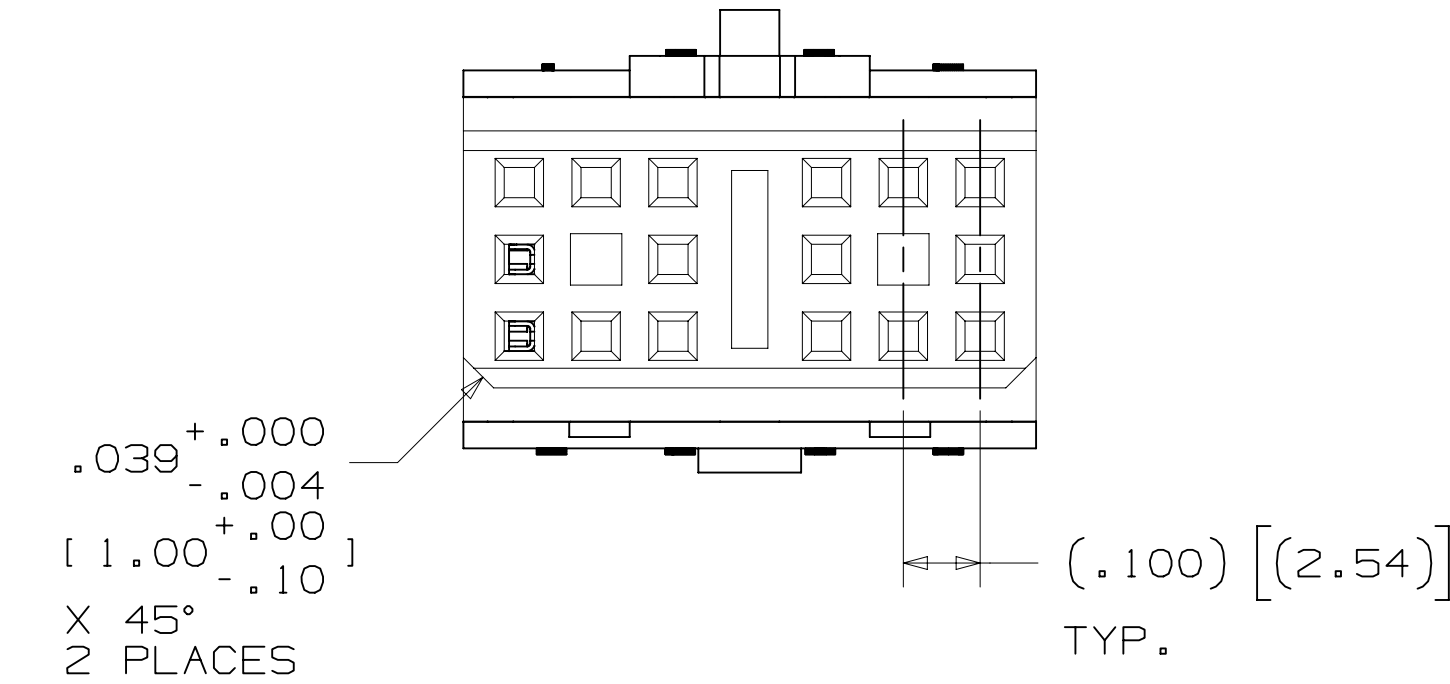
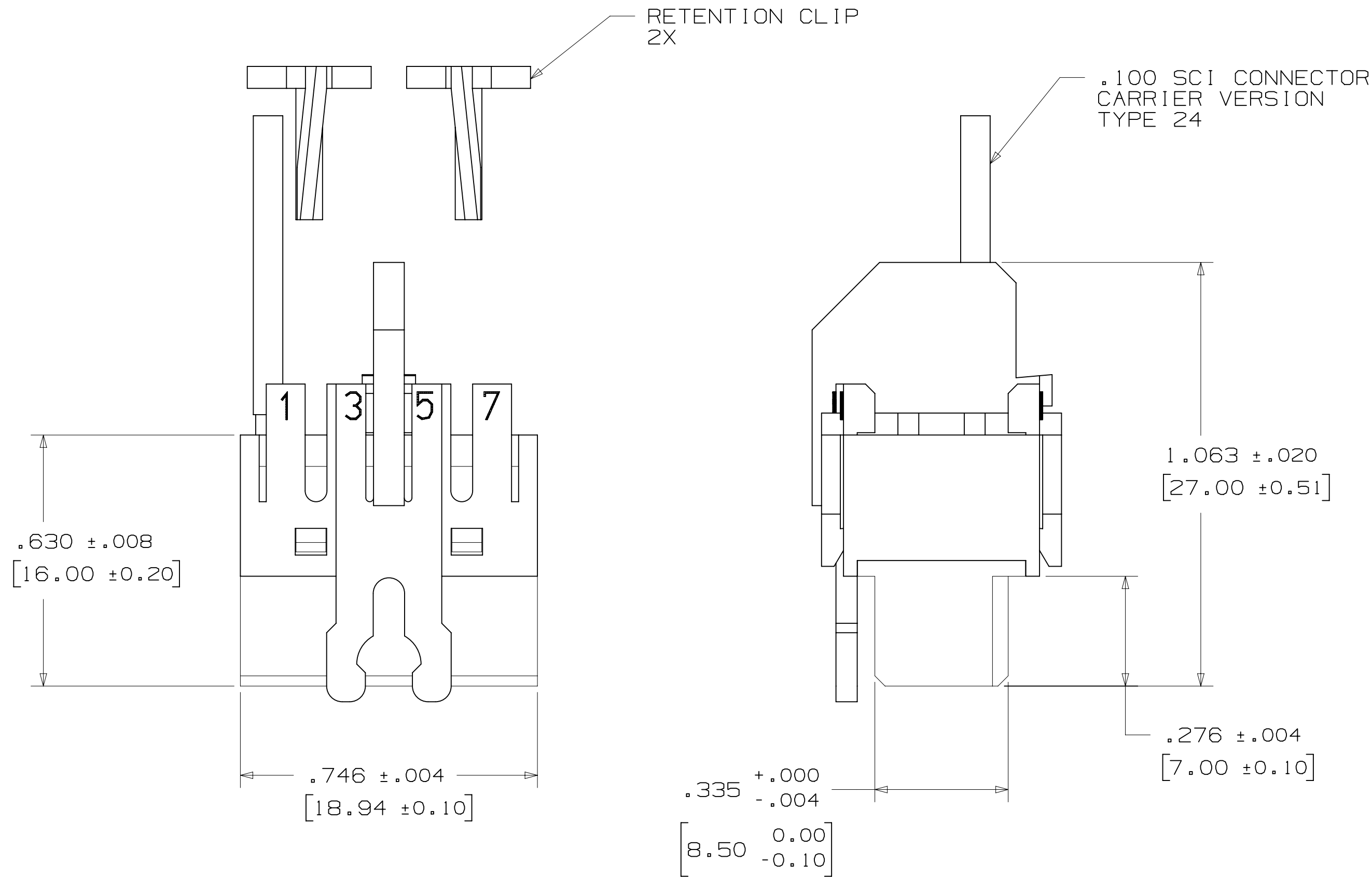
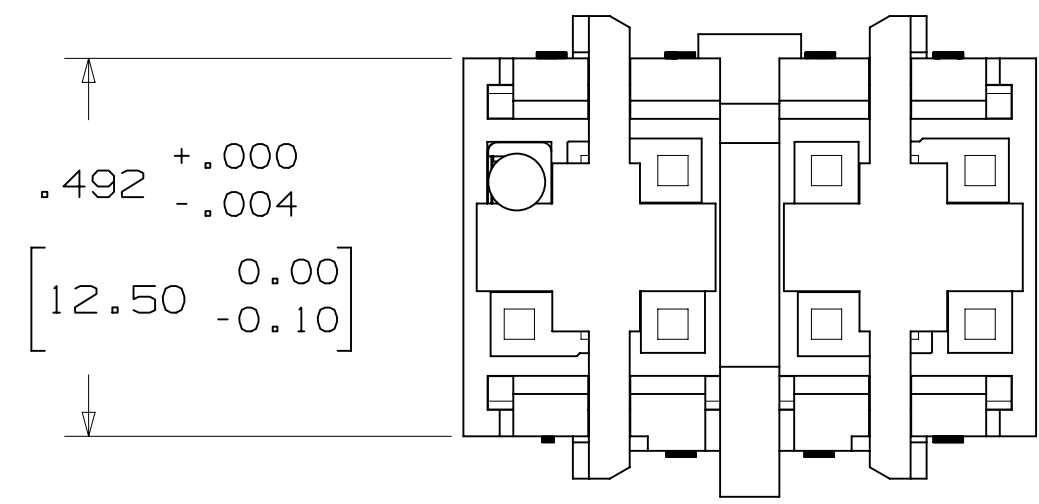
3M IS A TRADEMARK OF 3M COMPANY.
FOR TECHNICAL, SALES OR ORDERING
INFORMATION CALL 800-225-5373

DESIGN REFERENCE	NEXT ASSEMBLY	REV	ECO	ISSUE DATE AND DESCRIPTION	DRFT	CHKD
		C	92908	SEP 24, 2020 REVISE ORDERING INFO SHT 2	JNC	FJR
		B	44714	JAN 03, 2013 REVISED AND REDRAWN	JNC	RS
		DRFT	CASTIGLIONE	DATE JAN 03, 2013	DATE	
		CHKD	R. SCHERER	DATE JAN 03, 2013	DATE	

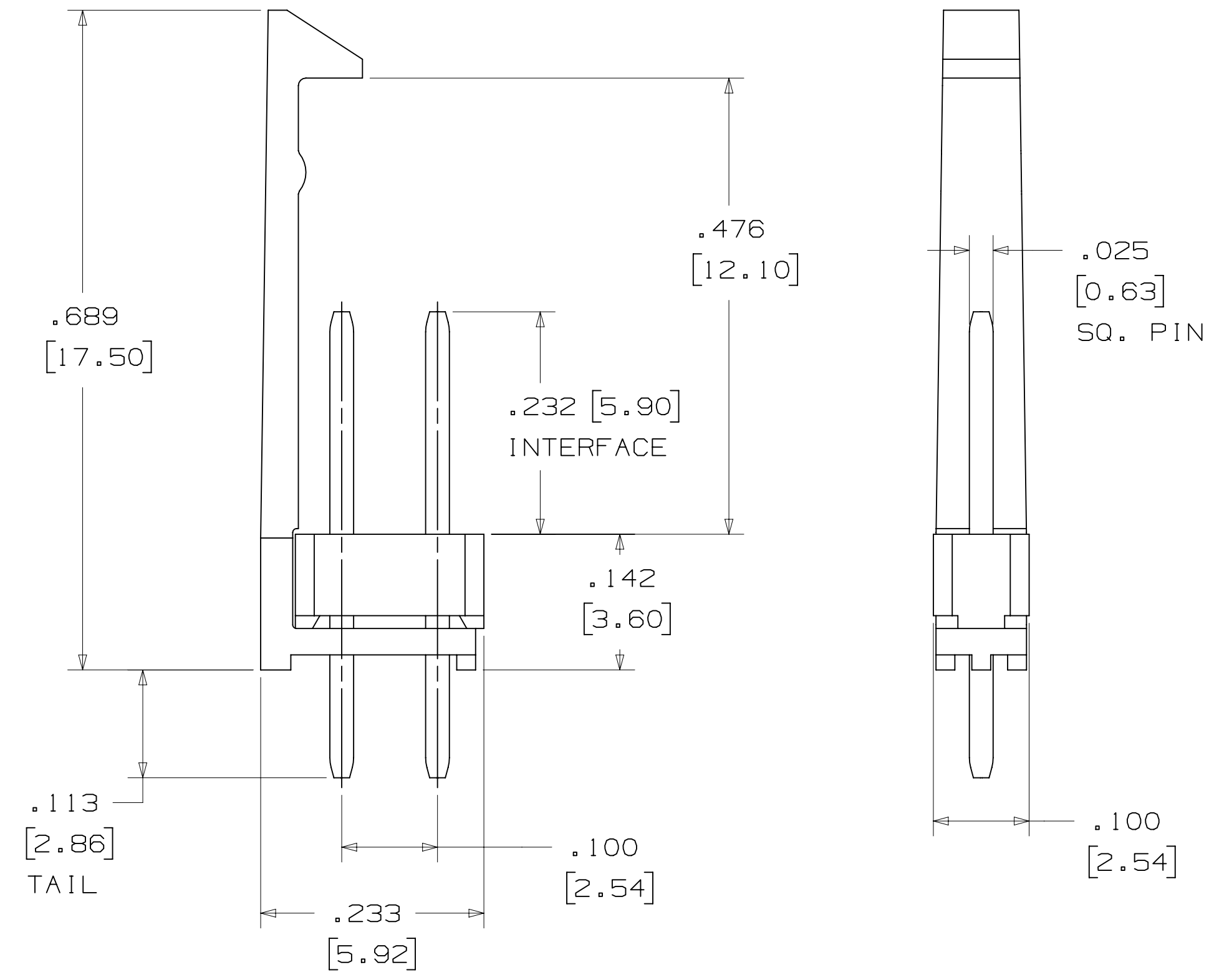
DIVISION Interconnect Solutions DO NOT SCALE DRAWING THIRD ANGLE PROJECTION MAX SURFACE ROUGHNESS MARKED ONLY	SCALE TOLERANCES EXCEPT AS NOTED INCHES: .0 ± .1 .00 ± .01 .000 ± .005 .0000 ± .0002 MILLIMETERS 0 ± .2 .0 ± .3 .00 ± .13 .000 ± .005	DIVISION CODE ISD TITLE 3M™ SHIELDED CONTROLLED IMPEDANCE (SCI) .100" ASSEMBLY HARDWARE CAGE NUMBER D78-5100-0802-8 MODEL DET. YES NO SHT 1 OF 4
--	--	--

78-5100-0802-8
 DRAWING NUMBER
 6
 Drf-set (hrs)
 6
 UTC
 9/24/2020
 Time
 Standard
 Central
 Image:

3M™ SHIELDED CONTROLLED IMPEDANCE (SCI)
 .100" ASSEMBLY HARDWARE



ORDERING INFORMATION
 3 X 7 CARRIER HOUSING
 9821-5000



ORDERING INFORMATION
 PIN STRIP WITH LATCH
 2402-3505 RC

DESIGN REFERENCE	NEXT ASSEMBLY	REV	ECO	ISSUE DATE AND DESCRIPTION	DRFT	CHKD
				JAN 03, 2013		
DIVISION		DIVISION CODE		DATE		
Interconnect Solutions		ISD		JAN 03, 2013		
DO NOT SCALE DRAWING	SCALE	TOLERANCES EXCEPT AS NOTED		DATE		
		INCHES		DATE		
		.00 ±.01		JAN 03, 2013		
		.000 ±.005		MFG		
		.0000 ±.0002		R. SCHERER		
THIRD ANGLE PROJECTION		MILLIMETERS		DATE		
		0 ±.2		JAN 03, 2013		
INTERPRET PER ASME Y14.5 - 2018		.0 ±.3				
		.00 ±.13				
MAX SURFACE ROUGHNESS		.000 ±.005				
MARKED ONLY		ANGLES				

C	92908	SEP 24, 2020	JNC	FJR
B	44714	JAN 03, 2013	JNC	RS
REV	ECO	ISSUE DATE AND DESCRIPTION	DRFT	CHKD
		JAN 03, 2013		
DIVISION		DIVISION CODE		DATE
Interconnect Solutions		ISD		JAN 03, 2013
DO NOT SCALE DRAWING		SCALE		TOLERANCES EXCEPT AS NOTED
		INCHES		.00 ±.01
		MILLIMETERS		0 ±.2
THIRD ANGLE PROJECTION				.0 ±.3
INTERPRET PER ASME Y14.5 - 2018				.00 ±.13
MAX SURFACE ROUGHNESS				.000 ±.005
MARKED ONLY				ANGLES

TITLE	3M™ SHIELDED CONTROLLED IMPEDANCE (SCI) .100" ASSEMBLY HARDWARE
CAGE NUMBER	D78-5100-0802-8
SIZE	13
DRAWING NO.	78-5100-0802-8
REV.	C
MODEL	
DEF	LISTS YES NO SHT 3 OF 4

78-5100-0802-8
 DRAWING NUMBER
 1
 2
 3
 4
 5
 6
 7
 8
 A
 B
 C
 D
 Time 9/24/2020
 Drf-set (hrs) 6
 UTC
 Standard
 Central
 Imaged:

3M™ SHIELDED CONTROLLED IMPEDANCE (SCI)

.100" ASSEMBLY HARDWARE

Regulatory: For regulatory information about this product, visit 3M.com/regs or contact your 3M representative.

Technical Information: The technical information, recommendations and other statements contained in this document are based upon tests or experience that 3M believes are reliable, but the accuracy or completeness of such information is not guaranteed.

Product Use: Many factors beyond 3M's control and uniquely within user's control can affect the use and performance of a 3M product in a particular application. Given the variety of factors that can affect the use and performance of a 3M product, user is solely responsible for evaluating the 3M product and determining whether it is fit for a particular purpose and suitable for user's method of application.

Warranty, Limited Remedy, and Disclaimer: Unless an additional warranty is specifically stated on the applicable 3M product packaging or product literature, 3M warrants that each 3M product meets the applicable 3M product specification at the time 3M ships the product. 3M MAKES NO OTHER WARRANTIES OR CONDITIONS, EXPRESS OR IMPLIED, INCLUDING, BUT NOT LIMITED TO, ANY IMPLIED WARRANTY OR CONDITION OF MERCHANTABILITY OR FITNESS FOR A PARTICULAR PURPOSE OR ANY IMPLIED WARRANTY OR CONDITION ARISING OUT OF A COURSE OF DEALING, CUSTOM OR USAGE OR TRADE. If the 3M product does not conform to this warranty, then the sole and exclusive remedy is, at 3M's option, replacement of the 3M product or refund of the purchase price.

Limitation of Liability: Except where prohibited by law, 3M will not be liable for any loss or damage arising from the 3M product, whether direct, indirect, special, incidental or consequential, regardless of the legal theory asserted, including warranty, contract, negligence or strict liability.

3M Company
 Electronics Materials Solutions Division
 13011 McCallen Pass, Bldg. C
 Austin, TX 78753-5380
 1-800-225-5373
www.3M.com/interconnect

DESIGN REFERENCE	NEXT ASSEMBLY	REV	ECO	ISSUE DATE AND DESCRIPTION	DRFT	CHKD
OFF	DATE	MFG	DATE			
C	92908	SEP 24, 2020	JNC	FJR		
B	44714	JAN 03, 2013	JNC	RS		
OFF		DATE	DATE			
CASTIGLIONE		JAN 03, 2013	R. SCHERER	JAN 03, 2013		
DIVISION		DIVISION CODE		TITLE		
Interconnect Solutions		ISD		3M™ SHIELDED CONTROLLED IMPEDANCE (SCI) .100" ASSEMBLY HARDWARE		
DO NOT SCALE DRAWING		TOLERANCES EXCEPT AS NOTED		CAGE NUMBER		
THIRD ANGLE PROJECTION		INCHES		DRAWING NO.		
INTERPRET PER ASME Y14.5 - 2018		MILLIMETERS		D 78-5100-0802-8 C		
MAX SURFACE ROUGHNESS		SURFACES		MODEL		
MARKED ONLY		ANGLES		REV.		
				SHT 4 OF 4		

78-5100-0802-8
 DRAWING NUMBER
 9/24/2020
 Time
 9/24/2020
 -- UTC
 Dfn.set
 (hrs) 6
 Central Standard
 Imaged: