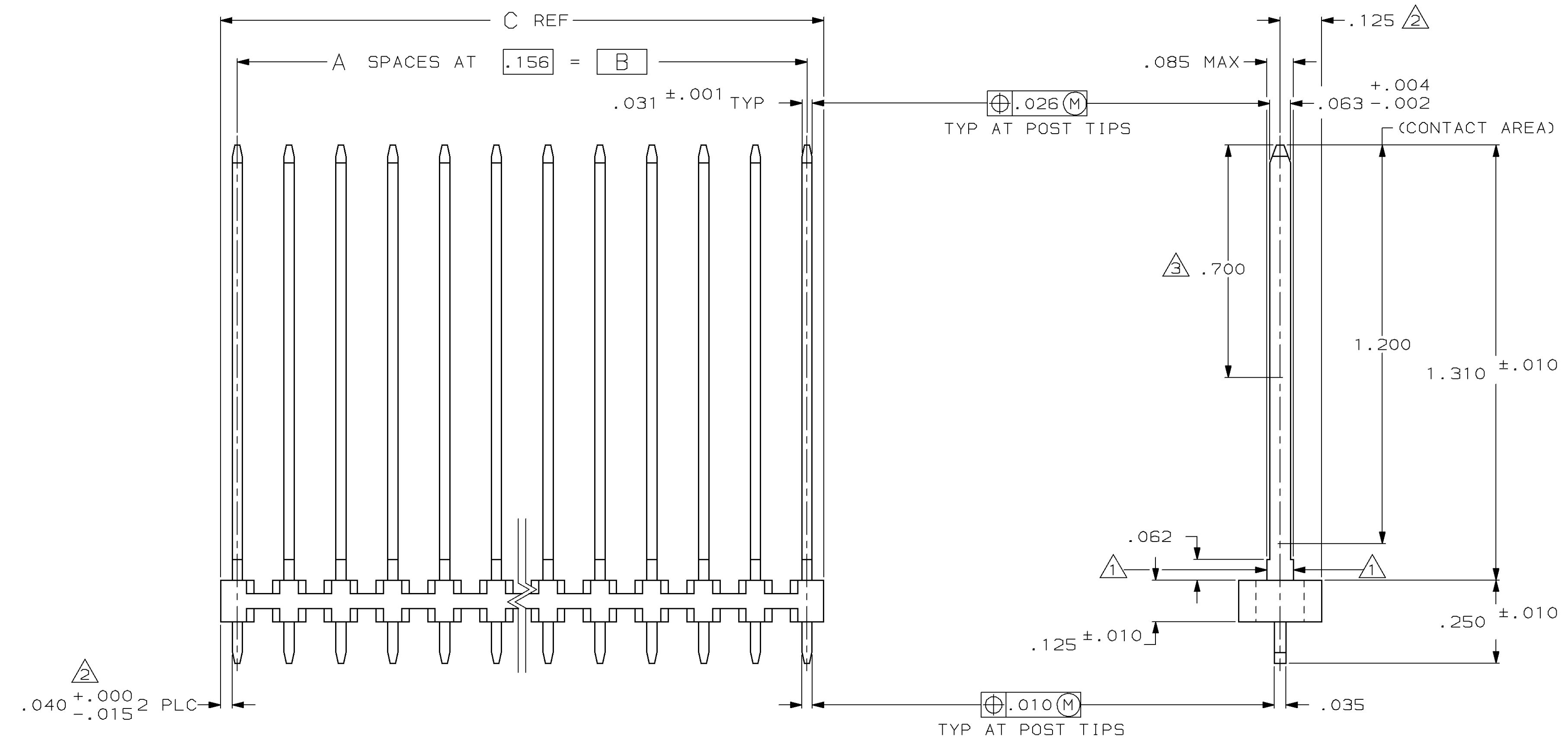
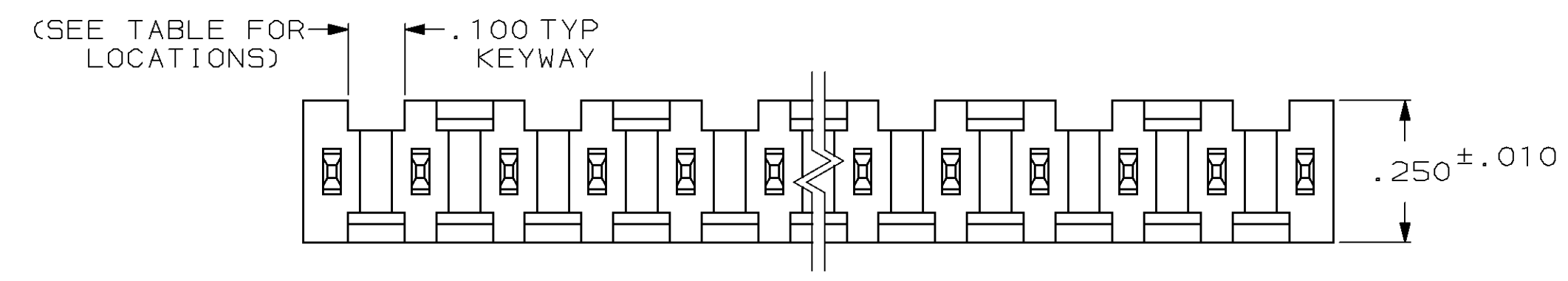
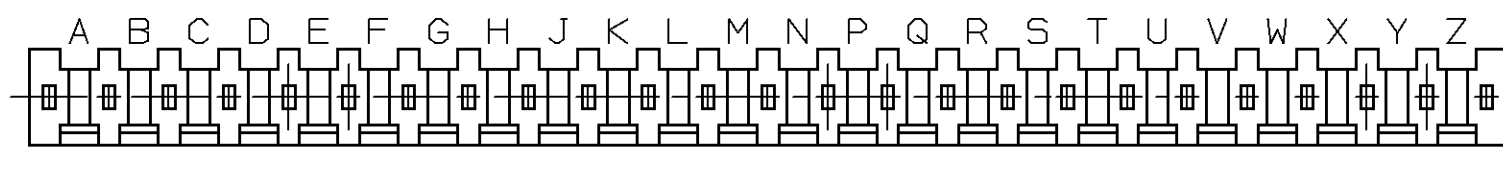
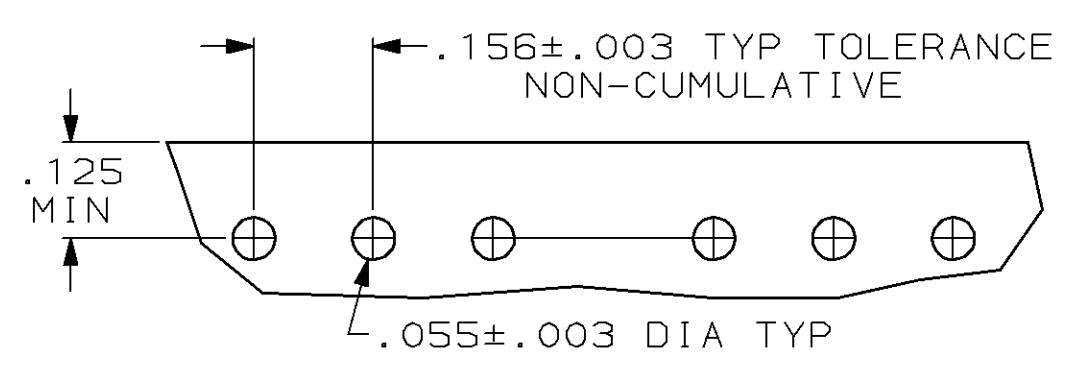


DRAWING MADE IN THIRD ANGLE PROJECTION
 THIS DRAWING IS UNPUBLISHED. RELEASED FOR PUBLICATION
 © COPYRIGHT 19 BY AMP INCORPORATED, HARRISBURG, PA. ALL INTERNATIONAL RIGHTS RESERVED. AMP PRODUCTS MAY BE COVERED BY U.S. AND FOREIGN PATENTS AND/OR PATENTS PENDING.

LOC		DIST		P		F		ZONE		LTR		REVISIONS			
AD	39											DESCRIPTION	DATE	APPD	
												A	REV & REDRAWN ECN 1413 & 1575	-	-
												B	REV ECN 1785	HM	-
												C	REV LOC & DIST AD-4171	3-90	BF
												D	REV PER 0010-1103-93	3-16-94	SAS
												E	REV PER 0010-1408-94	10-94	JH
												F	REV PER 0310-0048-97	7-14-97	JH



- ① THESE SURFACES WILL NOT BE PLATED
- ② THE NOTED DIMENSIONS APPLY AT THE INTERSECTION OF THE POST AND THE HOUSING
- ③ POINT OF MEASUREMENT FOR PLATING THICKNESS



KEYWAY LOCATIONS (REF-SEE TABLE)
 (MATING LENGTH OF POST ON NEAR SIDE)
 SCALE: 2:1

OBSOLETE	A, D, G	3	1.359	1.248	8	9	102022-3
OBSOLETE	A, C, E	3	.891	.780	5	6	102022-2
OBSOLETE	A, D	2	.735	.624	4	5	102022-1
	KEYWAY LOCATIONS	NO OF KEYWAY	C	B	A	NO OF POSN	ASSEMBLY PART NUMBER

UNLESS OTHERWISE SPECIFIED DIMENSIONS ARE IN INCHES TOLERANCES ON:		DR 9-15-87 H MOLL	AMP INCORPORATED Harrisburg, Pa. 17105	
2 PL DEC ± - 3 PL DEC ± .005 ANGLES ± -		CHK 9-23-87 E TREECE		
MATERIAL HOUSING - FLAME RETARDANT THERMOPLASTIC, COLOR - BLACK		APPD 9-23-87 E TREECE	NAME HEADER ASSEMBLY, MOD I, VERTICAL, SINGLE ROW, .156¢	
POSTS - BRASS FINISH POSTS: .000015 GOLD IN CONTACT AREA, GOLD FLASH ON REMAINDER, ALL OVER .000050 NICKEL		APPD 9-23-87 J SCHIEFER	PRODUCT SPEC 108-25016	
		APPLICATION SPEC -	SIZE D	FSCM NO 00779
		WEIGHT -	DRAWING NO 102022	
		SCALE 4:1	SHEET 1 OF 1	