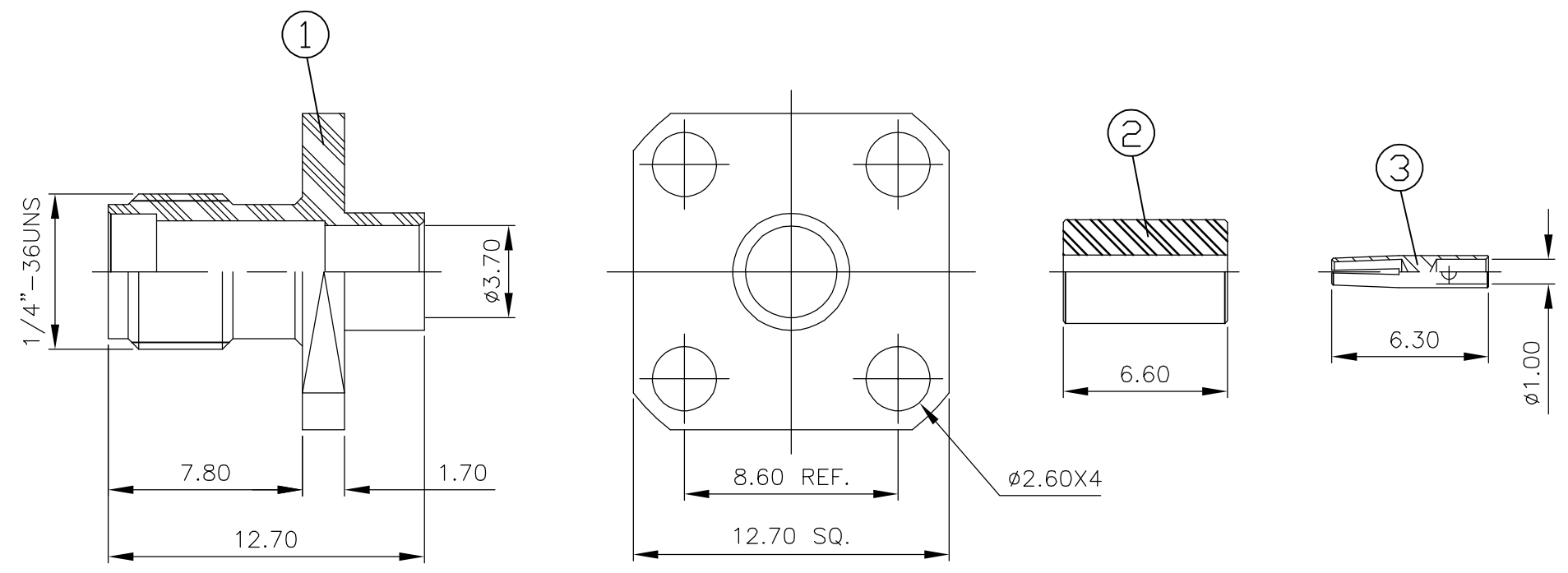


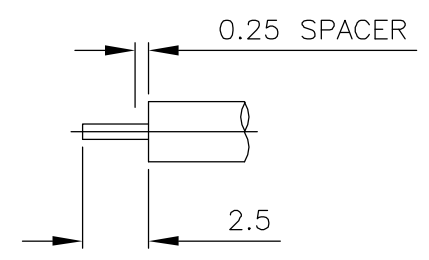
THIS DRAWING IS UNPUBLISHED. RELEASED FOR PUBLICATION APRIL, 2004.
 © COPYRIGHT 2004 BY TYCO ELECTRONICS CORPORATION. ALL RIGHTS RESERVED.

LOC	DIST	REVISIONS			
P	LTR	DESCRIPTION	DATE	DWN	APVD
E	B	A	EBD0-0035-03	30JAN04	RS FWK

- NOTES:
- 1 SINGLE PACK IN ACCORDANCE WITH SPEC 107-3275
 - 2 100 TRAY PACK IN ACCORDANCE WITH SPEC 107-3275
 - 3 0.08µm Au PLATING OVER 1.27µm Ni PLATING
 - 4 0.76µm Au PLATING OVER 1.27µm Ni PLATING OVER 0.76µm Cu PLATING
 - 5 FOR TECHNICAL DATA REFER TO YOUR LOCAL TYCO ELECTRONICS SALES OFFICE
 - 6 ALL DIMENSIONS ARE NOMINAL FOR REFERENCE ONLY UNLESS OTHERWISE STATED



RECOMMENDED CABLE STRIPPING DIM'S



QTY	QTY	MATERIAL	DESCRIPTION	ITEM
1	1	PTFE	INSULATOR	3
1	1	BERYLLIUM COPPER 4	SOCKET	2
1	1	STAINLESS STEEL 3	BODY	1
1--1	1--0	MATERIAL	DESCRIPTION	ITEM
2	1			

THIS DRAWING IS A CONTROLLED DOCUMENT.		DWN R.SMITH 30JAN04	Tyco Electronics Corporation Bideford, UK, EX39 4HE	
DIMENSIONS: mm		CHK S.PARLOW 30JAN04		
TOLERANCES UNLESS OTHERWISE SPECIFIED:		APVD F.WHEELER-KING 30JAN04	NAME SMA PANEL JACK 4 HOLE FLANGE DIRECT SOLDER NON CAPTIVE CONTACT RG402/U	
0 PLC ± -		PRODUCT SPEC 108-3460	SIZE A3	CAGE CODE 00779
1 PLC ± -		APPLICATION SPEC 411-3276	DRAWING NO C-1478930	RESTRICTED TO -
2 PLC ± -		WEIGHT -	SCALE 1:1 SHEET 1 OF 1 REV A	
3 PLC ± -		CUSTOMER DRAWING		
4 PLC ± -				
ANGLES ± -				
FINISH -				
MATERIAL SEE TABLE				