

Customer Information Sheet

DRAWING No.: KAI-301XX98M5

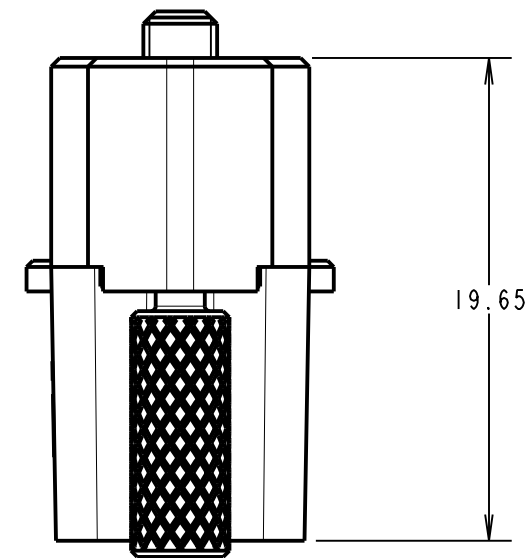
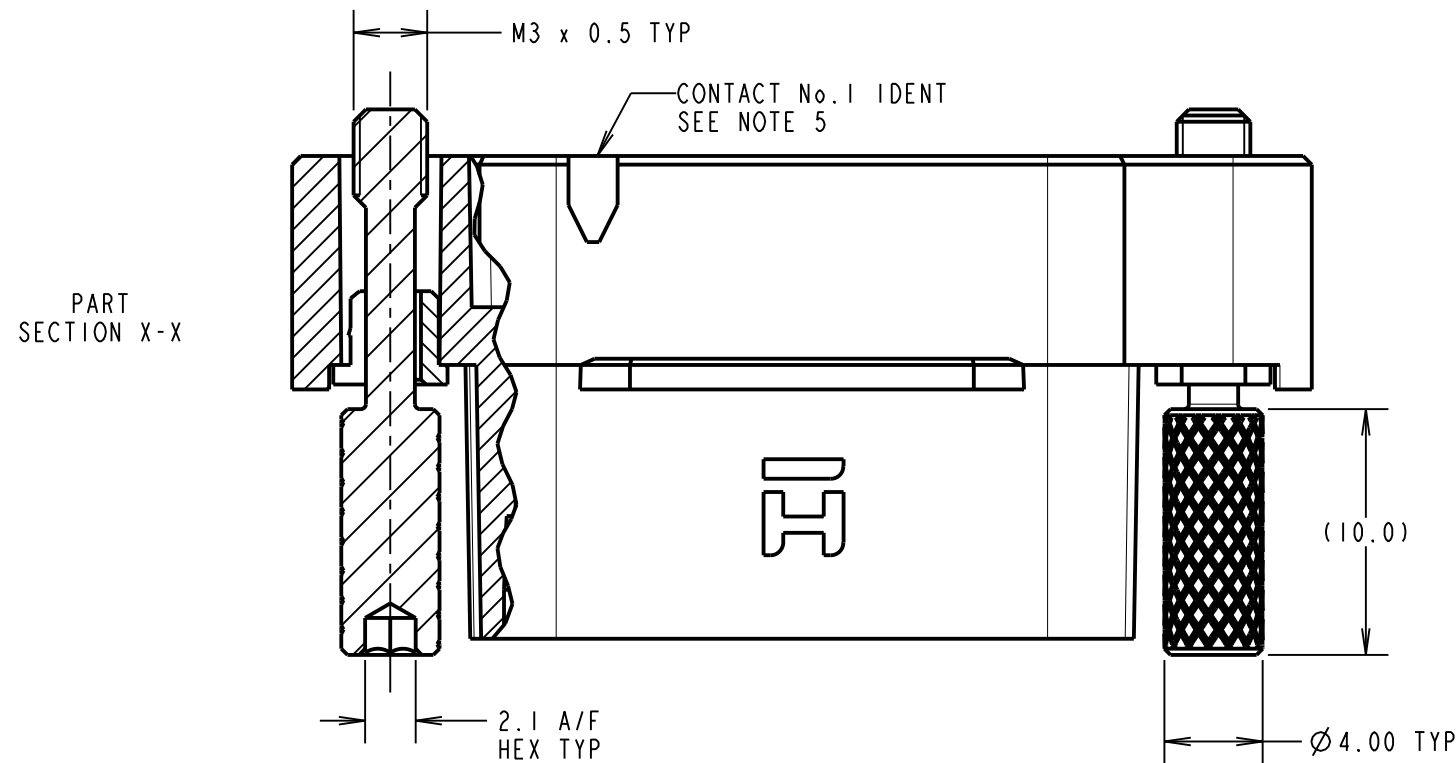
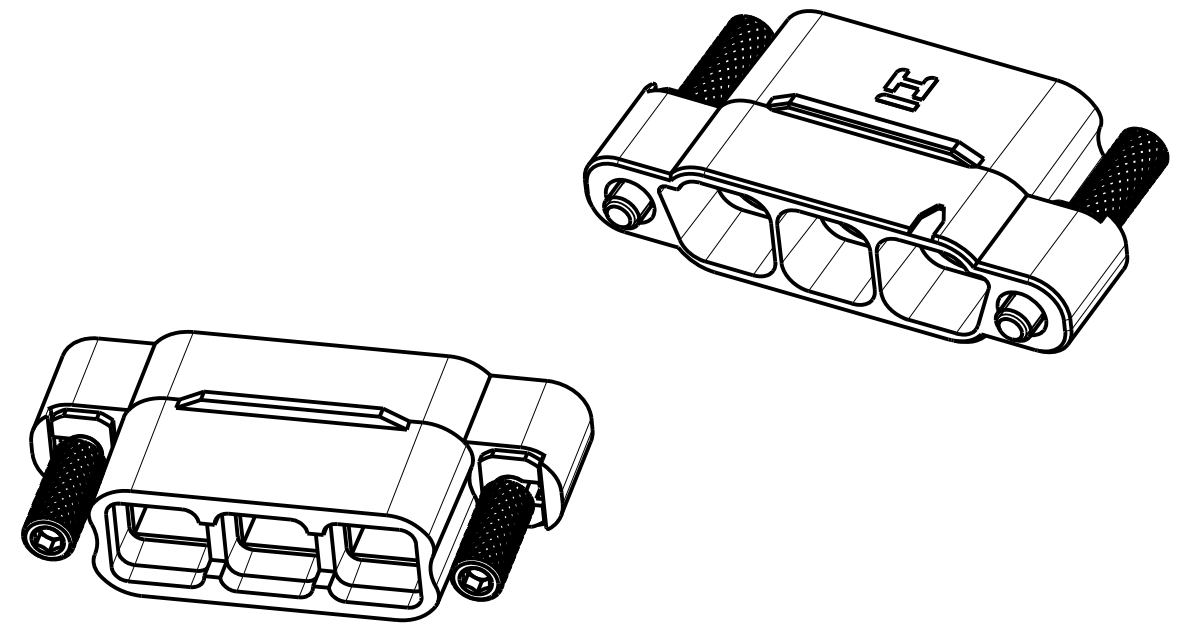
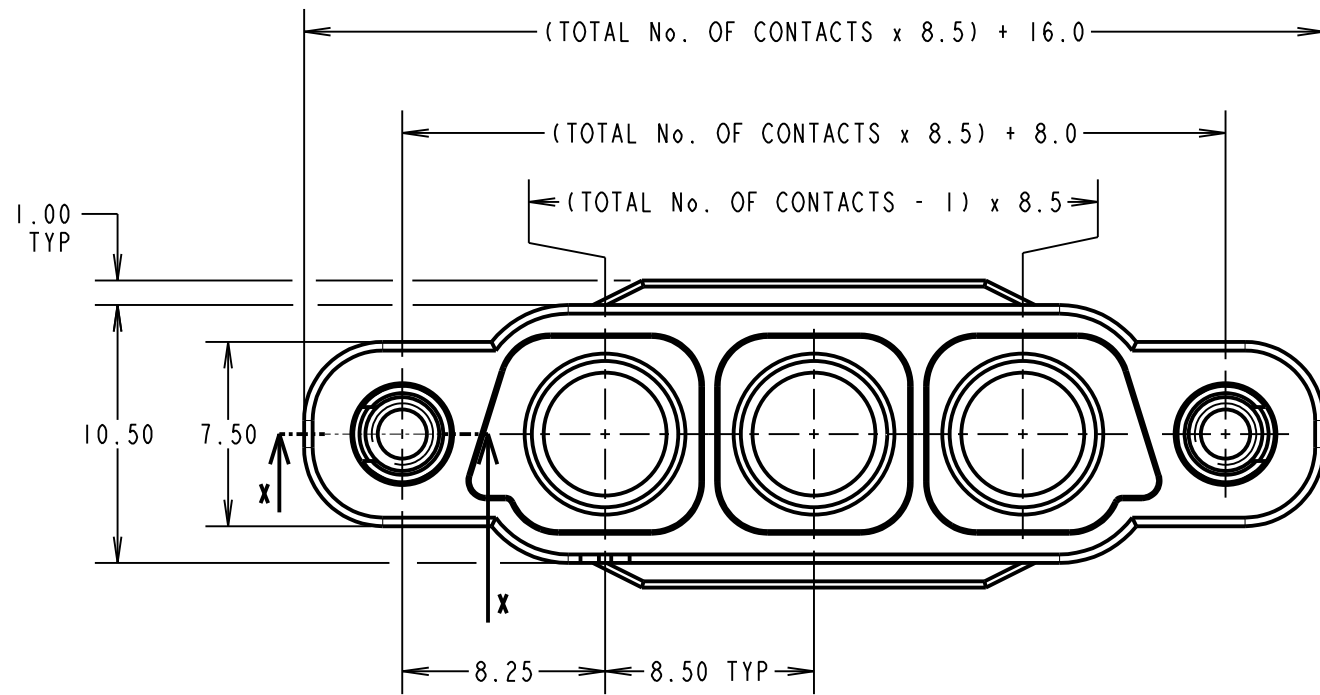
IF IN DOUBT - ASK

©

NOT TO SCALE

THIRD ANGLE PROJECTION

ALL DIMENSIONS IN mm



ORDER CODE:
KAI-301XX98M5
TOTAL No. OF CONTACTS: 02, 03, 04

- NOTES:
1. MOULDING TO BE USED WITH KAI-1410005 SOLDER CUP CONTACTS.
 2. FOR ASSEMBLY INSTRUCTIONS SEE INSTRUCTION SHEET IS-49.
 3. FOR MATERIALS AND SPECIFICATIONS SEE COMPONENT SPECIFICATION C052XX (LATEST ISSUE).
 4. DRAWING SHOWS HOUSING WITH 3 CONTACT POSITIONS.
 5. CONTACT No.1 IDENT MAY VISUALLY DIFFER FROM THE IDENT SHOWN ON DRAWING.

MR	1	09.08.22	31804
NAME	ISS.	DATE	CN/CO
APPROVED: M.RUDKIN			
CHECKED: R.PORTLOCK			
DRAWN: M.RUDKIN			
CUSTOMER REF.:			
ASSEMBLY DRG:			

 www.harwin.com technical@harwin.com	THIS DRAWING AND ANY INFORMATION OR DESCRIPTIVE MATTER SET OUT HEREON ARE CONFIDENTIAL AND COPYRIGHT PROPERTY OF THE HARWIN GROUP AND MUST NOT BE DISCLOSED, LOANED, COPIED OR USED FOR MANUFACTURING, TENDERING OR FOR ANY OTHER PURPOSE WITHOUT THEIR WRITTEN PERMISSION.	TOLERANCES X. = ±1mm X.X = ±0.50mm X.XX = ±0.20mm X.XXX = ±0.01mm ANGLES = ±5° UNLESS STATED	MATERIAL: SEE ABOVE	TITLE: KONA SERIES - MALE CABLE THUMBSCREW HOUSING
		FINISH: SEE ABOVE S/AREA: mm ²	DRAWING NUMBER: KAI-301XX98M5	SHT 3 OF 3