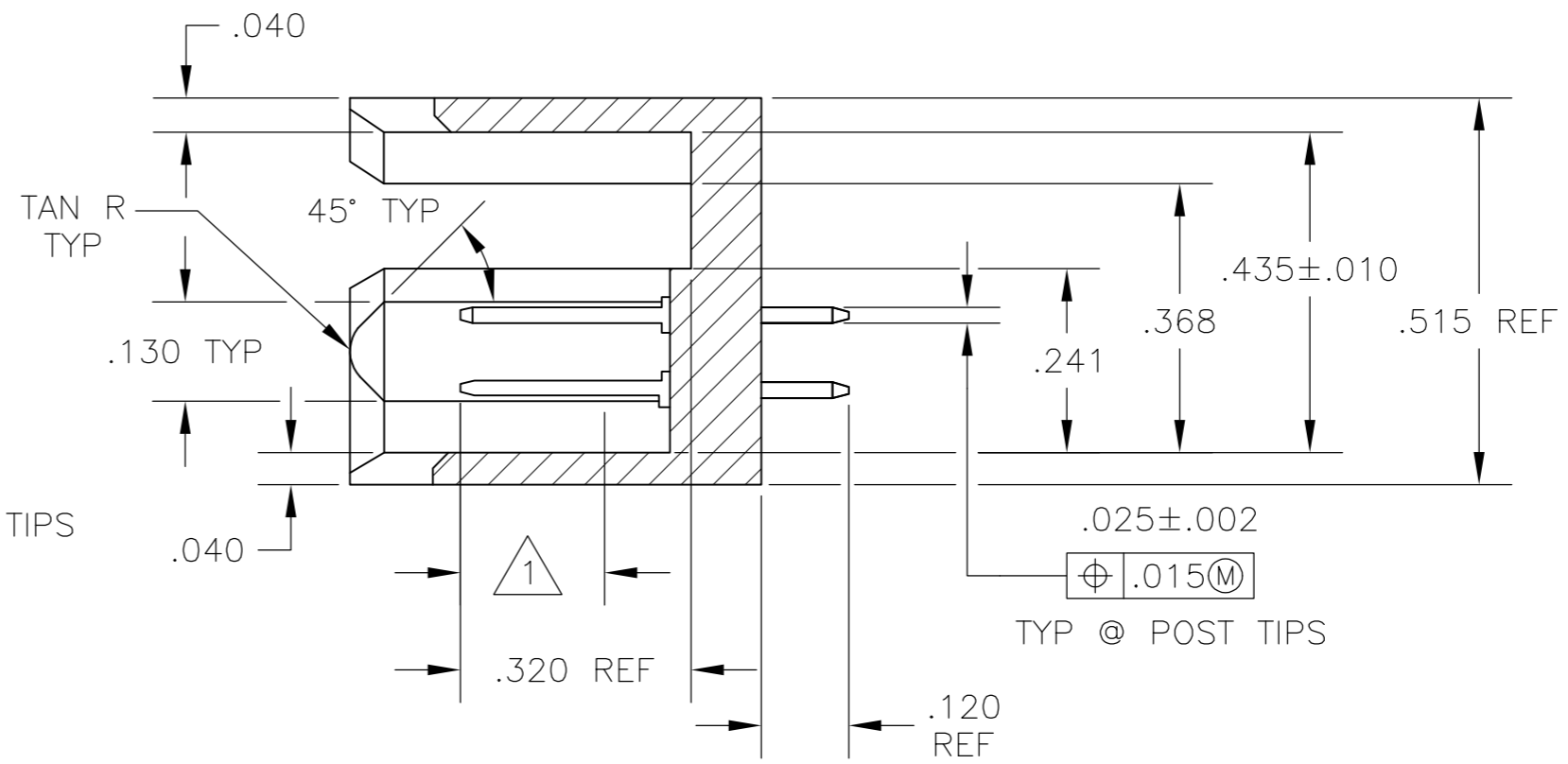
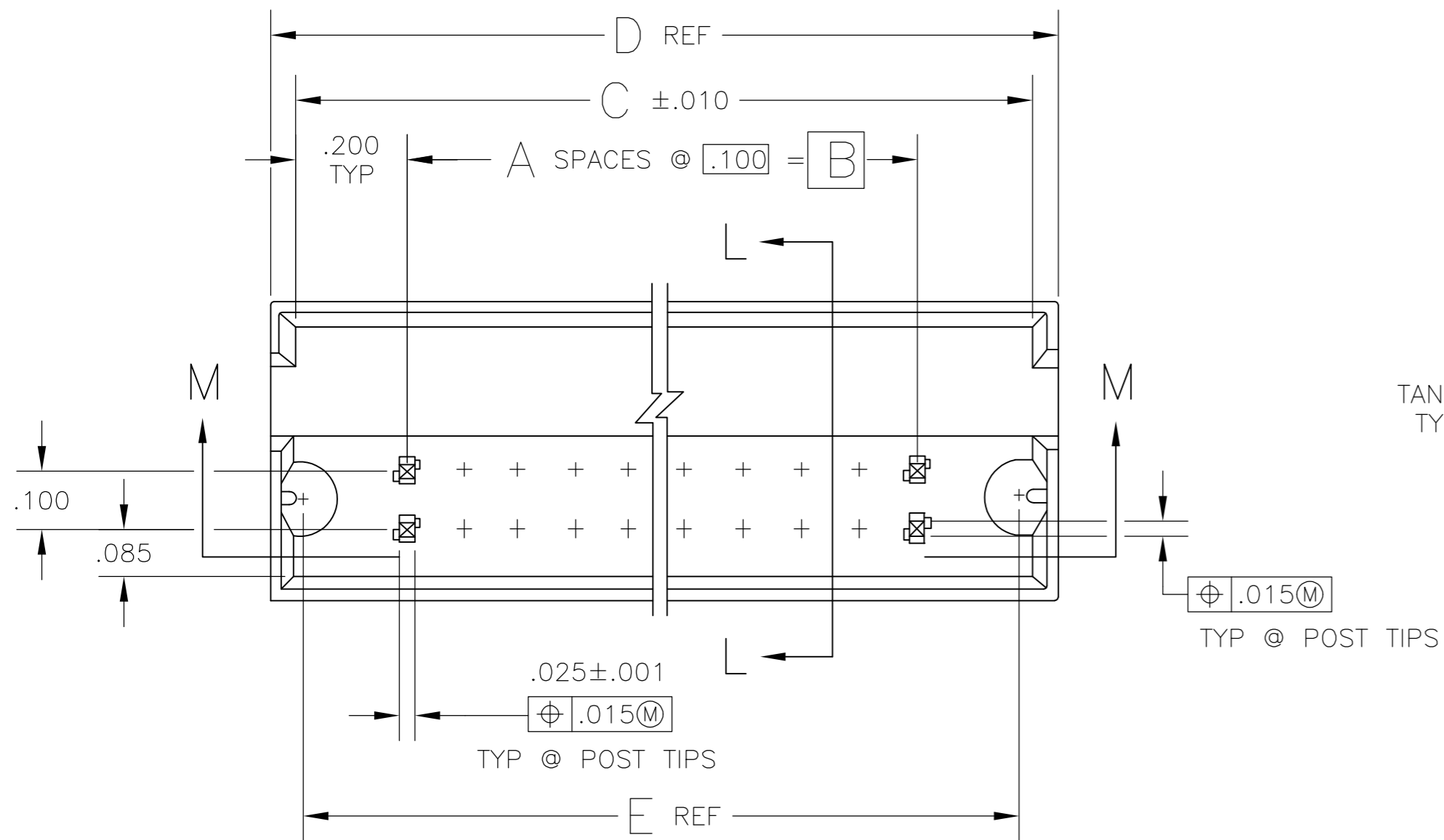
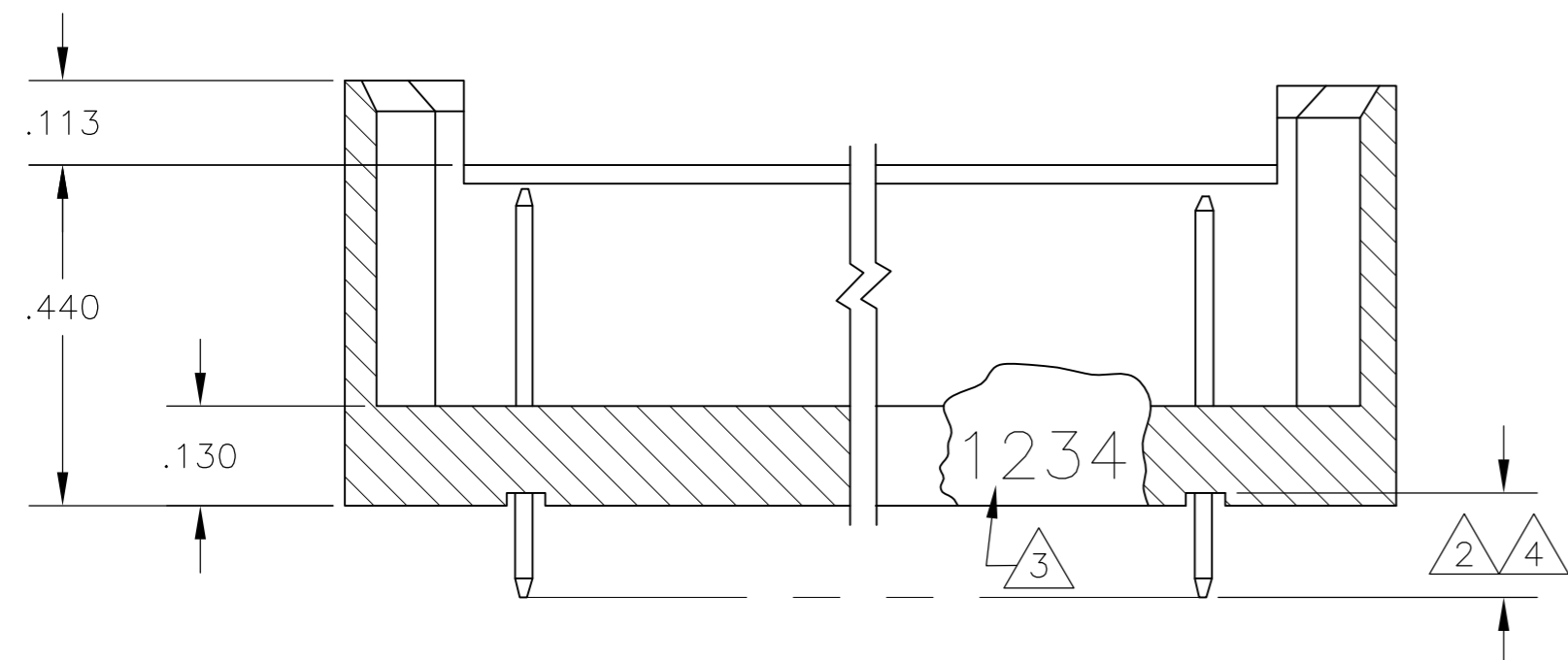


LOC	DIST	REVISIONS					
		P	LTR	DESCRIPTION	DATE	DWN	APVD
AD	00		K1	ECO-06-016522	24AUG06	BSV	JO
			K2	REVISED PER ECO-09-021510	11SEP09	KK	AEG

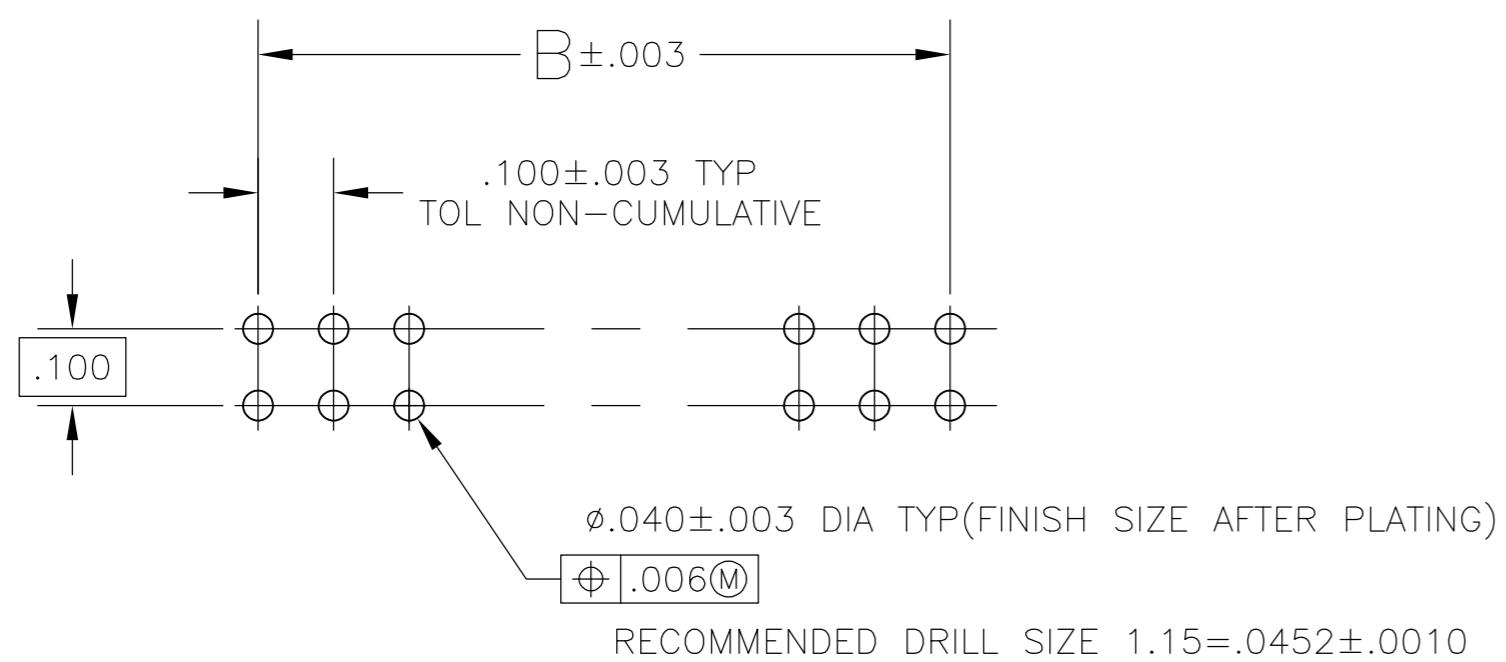


SECTION L-L

- 1 FINISH OVER INDICATED AREA: .000030 GOLD OVER .000050 NICKEL.
- 2 FINISH OVER INDICATED AREA: .000100-.000200 TIN OVER .000050 NICKEL.
- 3 RECESSED DATE CODE.
- 4 FINISH OVER INDICATED AREA: .000100-.000200 MATTE TIN OVER .000050 NICKEL
- 5 ROHS 2002/95/EC COMPLIANT
- 6 OBSOLETE PARTS: OBSOLETE CIS STREAMLINING PER D.RENAUD/D.SINISI



SECTION M-M



RECOMMENDED HOLE LAYOUT

	1/4	1.470	1.580	1.500	1.100	11	24	5	5-533023-8
	1/4	2.770	2.880	2.800	2.400	24	50	5	5-533023-3
OBSOLETE	1/2	7.270	7.380	7.300	6.900	69	140		533023-9
	1/2	1.470	1.580	1.500	1.100	11	24		533023-8
OBSOLETE	1/2	.870	.980	.900	.500	5	12		533023-7
OBSOLETE	1/2	2.270	2.380	2.300	1.900	19	40		533023-6
OBSOLETE									
OBSOLETE	1/2	5.270	5.380	5.300	4.900	49	100		533023-4
OBSOLETE	1/2	2.770	2.880	2.800	2.400	24	50		533023-3
OBSOLETE	1/2	5.270	6.380	6.300	5.900	59	120		533023-2
OBSOLETE	1/2	4.270	4.380	4.300	3.900	39	80		533023-1

THIS DRAWING IS A CONTROLLED DOCUMENT.		DWN 08MAR85	Tyco Electronics Corporation Harrisburg, Pa 17105-3608	
DIMENSIONS: INCHES		CHK 15MAR85	NAME	
TOLERANCES UNLESS OTHERWISE SPECIFIED:		APVD 15MAR85	PRODUCT SPEC	
0 PLC ± -	1 PLC ± -	APPLICATION SPEC		
2 PLC ± -	3 PLC ± .005	WEIGHT		
4 PLC ± -	ANGLES ± -	FINISH		
MATERIAL: GLASS FILLED NYLON, COLOR, BLACK POST: COPPER ALLOY		CUSTOMER DRAWING		
FINISH 1 2 4		SIZE A2		NO. OF POSN 80
		CAGE CODE 00779		DRAWING NO. C=533023
		SCALE 4:1		SHEET 1 OF 1
				REV K2

533023