

# Precision Test Adapters

## 2.92 mm(F) to 3.5 mm(F)

**withwave**

Versatile RF & MW Test Solutions

**Withwave's Precision Test Adapters** are designed based on precision microwave interconnection technologies. This 2.92 mm(F) to 3.5 mm(F) adapter is manufactured to precise Microwave specifications and constructed with female gender on side 1 and female gender side 2. The precision microwave connector interfaces ensure an excellent microwave performance up to 34 GHz



### ■ Features

- Frequency range : DC to 34 GHz
- VSWR : 1.25 : 1(Max) @ 34 GHz
- Stainless steel (passivated)

### ■ Specification

Scope	Specification	AD03F04FS1
Electrical	Impedance(Ohm)	50
	Operation Freq.(GHz)	DC to 34 GHz
	VSWR (Max)	1.25: 1
Material	Dielectric	Special dielectric
	Center Contact	BeCu with gold plated
	Body	Passivated Stainless Steel

\* RoHS Compliant

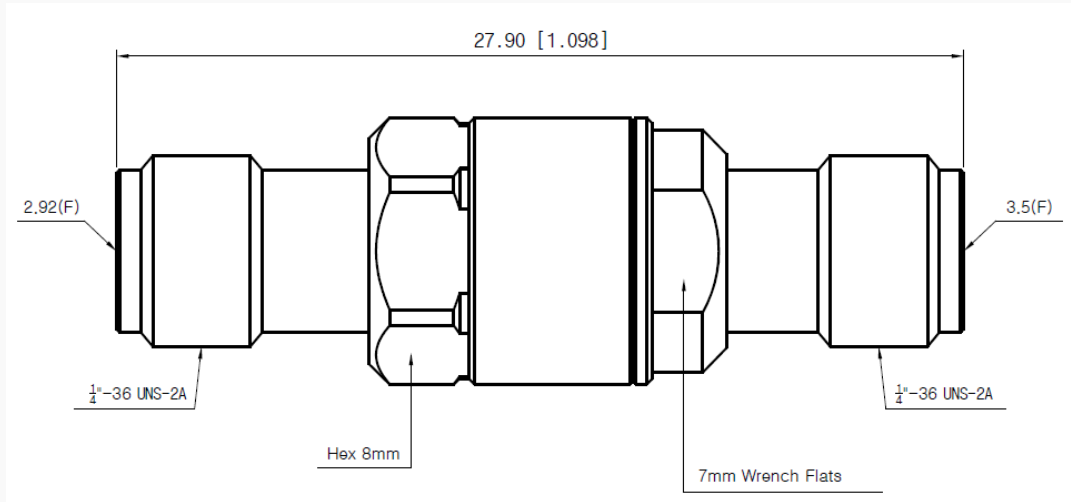
# Precision Test Adapters

## 2.92 mm(F) to 3.5 mm(F)

### ■ Drawing

Part No.: AD03F04FS1

Unit : mm [inch]



### ■ Test Result

- Frequency : 10 MHz to 34 GHz

